

SAGITTARIUS

TAPS & SHOWERING

Construction Brass Body, Zinc-alloy Handles

Finishes Chrome plated to BS EN 248

Product Type Contemporary

Water Pressure Tested Between Min. 0.2 bar, Max. 6.0 bar

Standards Complies with BS5412, BS EN200

Certification Manufactured to comply with WRAS (WRAS version available for pre or-

Cartridge 1/4 Turn 3/4" Ceramic disc valves

Fitting Brass G3/4" BSP tails

Aerator Spout aerator

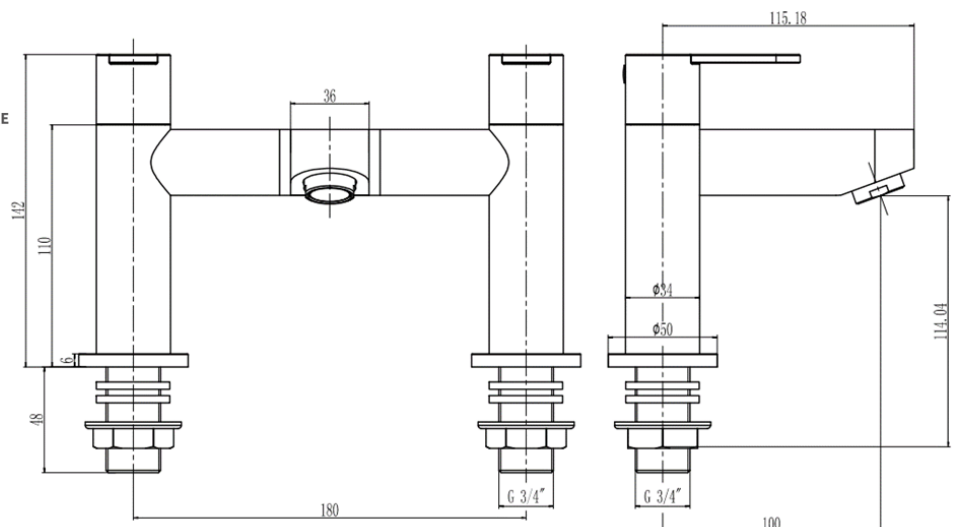
Guarantee 10 years against manufacturing faults (excluding serviceable parts)

PLAZA BATH FILLER

PL/104



Operating Water Pressure



The information contained on this page was correct at the date of issue. Fitting dimensions are provided as a guide only. Some variation may occur due to manufacturing tolerances. We pursue a policy of continuing improvement in design and performance of our products and so reserve the right to change specifications without prior notice

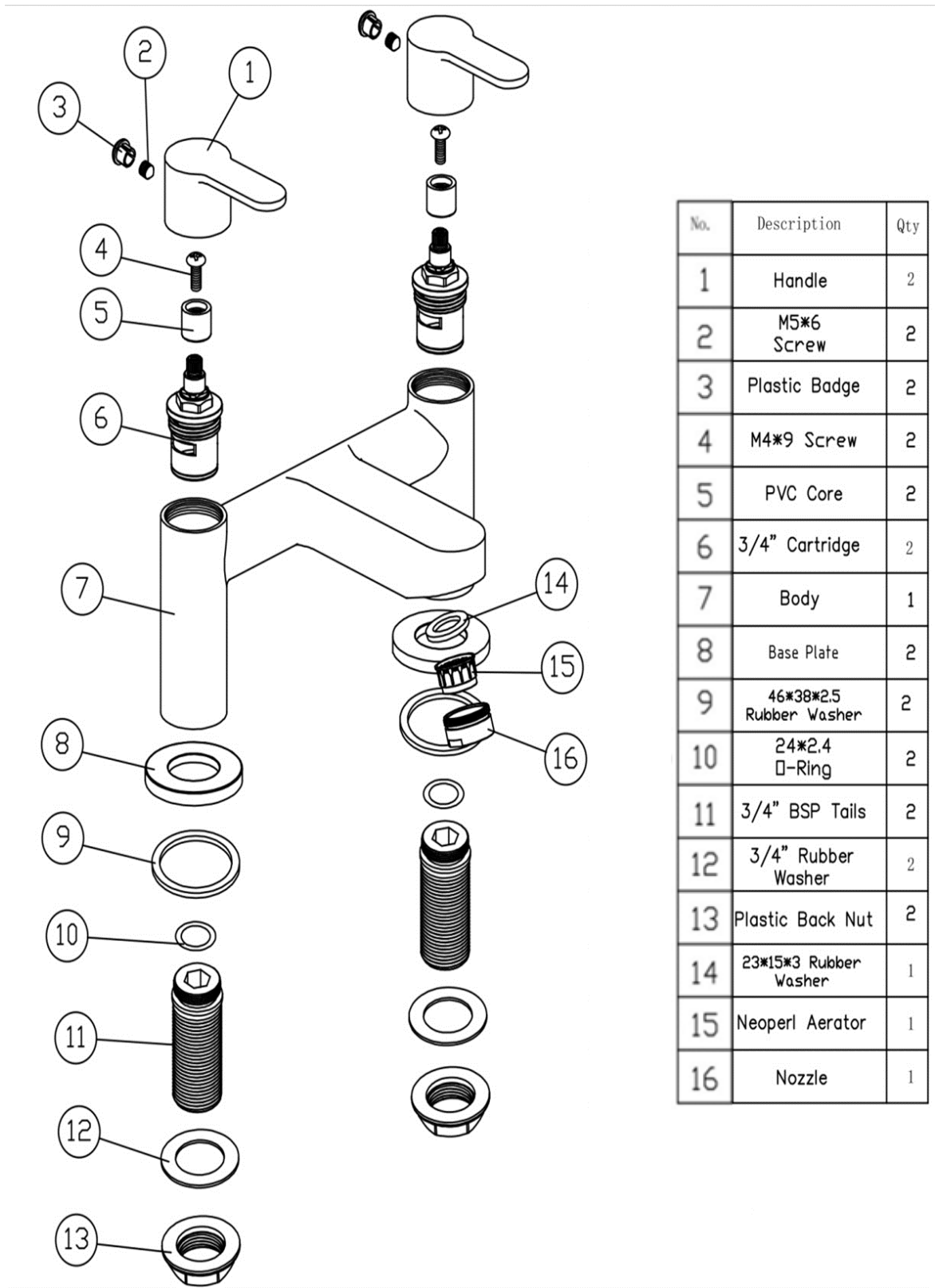
FOR FURTHER ADVICE PLEASE CONTACT :-

SAGITTARIUS LTD UNIT 1 LOWER VICTORIA STREET—CHADDERTON—OLDHAM—OL9 9TU TEL:0616 6202029

EMAIL:TECHNICAL@SAGITTARIUSTAPS.CO.UK

Flow Rates (Litres per minute)

System Pressure	0.1 Bar	0.2 Bar	0.3 Bar	0.5 Bar	1.0 Bar	1.5 Bar	2.0 Bar	3.0 Bar	4.0 Bar	5.0 Bar
	4.7	8.6	-	11.5	18.0	22.4	27.0	33.0	-	-



No.	Description	Qty
1	Handle	2
2	M5*6 Screw	2
3	Plastic Badge	2
4	M4*9 Screw	2
5	PVC Core	2
6	3/4" Cartridge	2
7	Body	1
8	Base Plate	2
9	46*38*2.5 Rubber Washer	2
10	24*2.4 O-Ring	2
11	3/4" BSP Tails	2
12	3/4" Rubber Washer	2
13	Plastic Back Nut	2
14	23*15*3 Rubber Washer	1
15	Neoperl Aerator	1
16	Nozzle	1