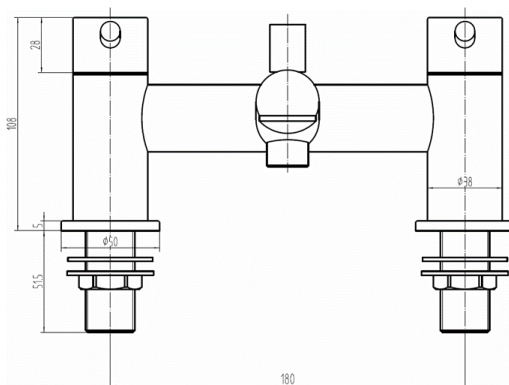
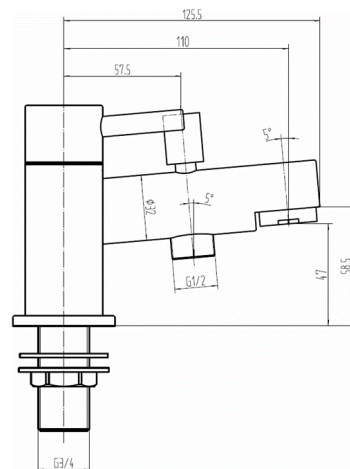


# SAGITTARIUS

## TAPS & SHOWERING

<b>Construction</b>	Brass Body, Zinc-alloy Handles
<b>Finishes</b>	Chrome plated to BS EN 248
<b>Product Type</b>	Contemporary
<b>Water Pressure Tested</b>	Min. 0.2 bar (handset) 0.2 bar (spout),
<b>Standards</b>	Complies with BS5412, BS EN200
<b>Certification</b>	WRAS (1903057) approved and certified
<b>Cartridge</b>	1/4 Turn 3/4" Ceramic disc valves
<b>Aerator</b>	Spout aerator
<b>Fitting</b>	Brass G3/4" BSP tails
<b>Guarantee</b>	10 years against manufacturing faults (excluding serviceable parts)
<b>Additional Information</b>	Supplied with Chrome stainless steel, double interlock 1.5m hose, chrome single mode ABS handset & wall mounted holder
<b>Operating Water Pressure</b>	

### PIAZZA BATH SHOWER MIXER PI/105



**LOW PRESSURE**  
0.2-0.5 bar



**COMBI BOILER**



**HIGH PRESSURE**  
1.2-1.5+ bar

The information contained on this page was correct at the date of issue. Fitting dimensions are provided as a guide only. Some variation may occur due to manufacturing tolerances. We pursue a policy of continuing improvement in design and performance of our products and so reserve the right to change specifications without prior notice

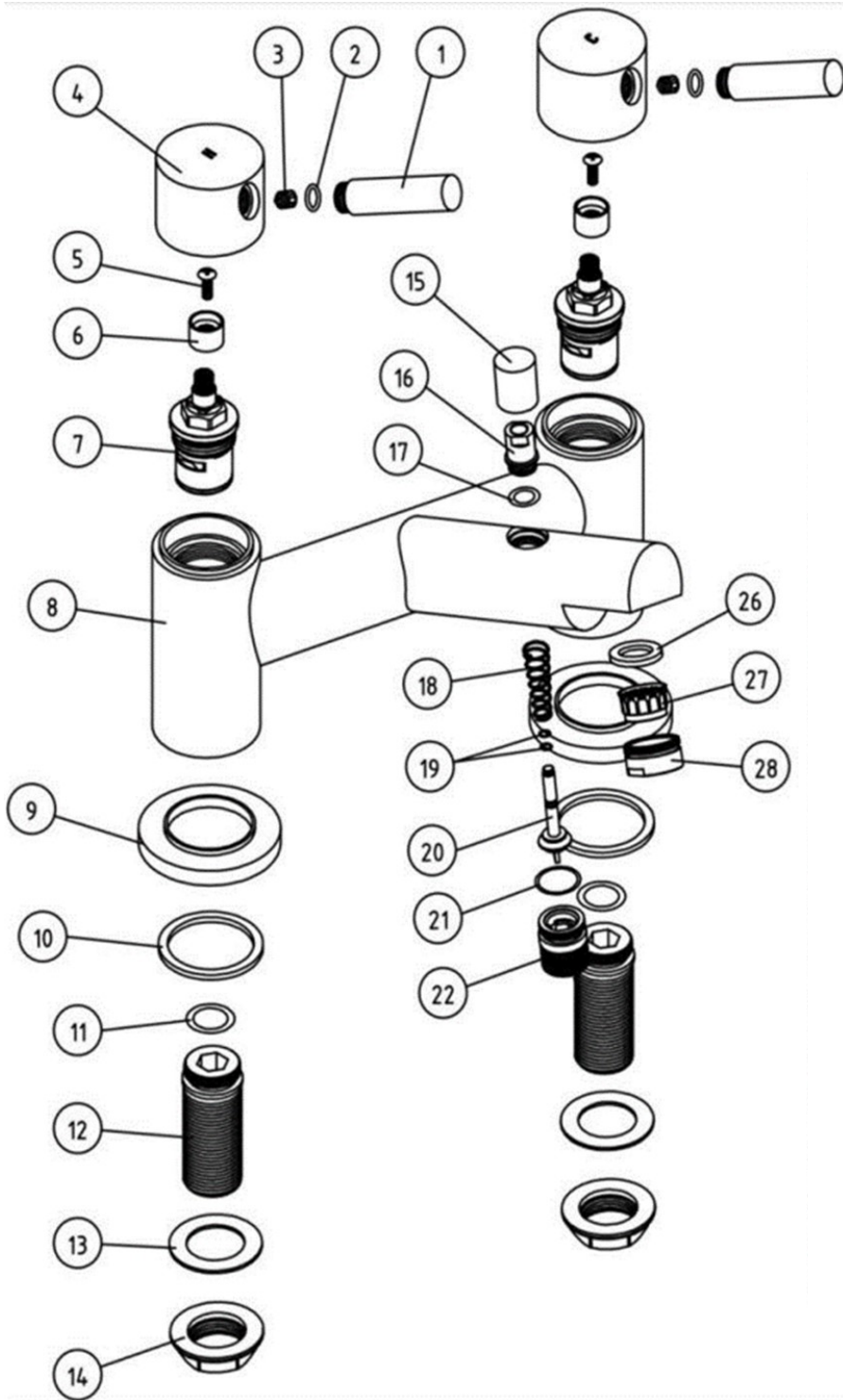
FOR FURTHER ADVICE PLEASE CONTACT :-

SAGITTARIUS LTD UNIT 1 LOWER VICTORIA STREET—CHADDERTON—OLDHAM—OL9 9TU TEL:0616 6202029

EMAIL:TECHNICAL@SAGITTARIUSTAPS.CO.UK

**Flow Rates** (Litres per minute)

System Pressure	0.1 Bar	0.2 Bar	0.3 Bar	0.5 Bar	1.0 Bar	1.5 Bar	2.0 Bar	3.0 Bar	4.0 Bar	5.0 Bar
	7.3	7.6	-	9.0	11.3	13.2	14.9	18.7	-	-



No.	Description	Qty
1	Handle Bar	2
2	9*1.5 O-Ring	2
3	M5*6 Screw	2
4	Handle	2
5	M4*9 Screw	2
6	PVC Core	2
7	3/4" Cartridge	2
8	Tap Body	1
9	ø50 BASE PLATE	2
10	46*38*2.5 Washer	2
11	24*2.4 O-Ring	2
12	3/4" BSP TAILS	2
13	3 / 4 Washer	2
14	Back Nuts	2
15	Knob	1
16	Connector	1
17	12*2 O-Ring	1
18	Spring	1
19	7*1.6 O-Ring	2
20	Diverter	1
21	20*2 O-Ring	1
22	Hose Connector	1

FOR FURTHER ADVICE PLEASE CONTACT :-

SAGITTARIUS LTD UNIT 1 LOWER VICTORIA STREET—CHADDERTON—OLDHAM—OL9 9TU TEL:0616 6202029

EMAIL:TECHNICAL@SAGITTARIUSTAPS.CO.UK