

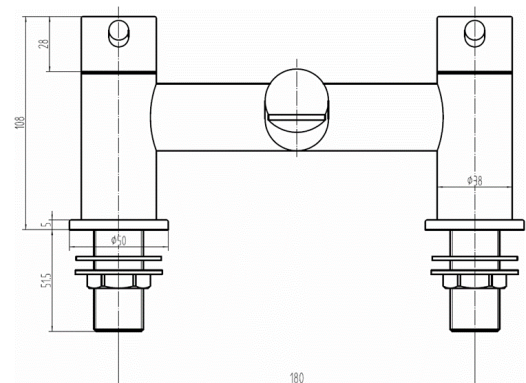
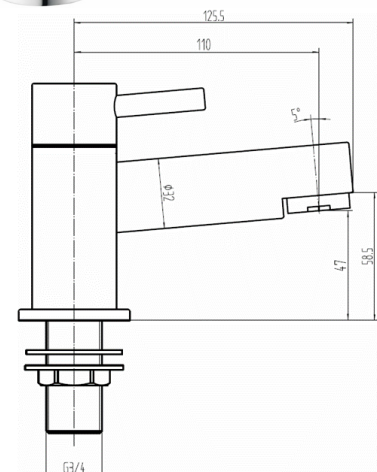
SAGITTARIUS

TAPS & SHOWERING

Construction	Brass Body, Zinc-alloy Handles
Finishes	Chrome plated to BS EN 248
Product Type	Contemporary
Water Pressure Tested Between	Min. 0.2 bar, Max. 6.0 bar
Standards	Complies with BS5412, BS EN200
Certification	WRAS approved and certified
Cartridge	1/4 Turn 3/4" Ceramic disc valves
Aerator	Spout aerator
Fitting	Brass G3/4" BSP tails
Guarantee	10 years against manufacturing faults (excluding serviceable parts)
Operating Water Pressure	

PIAZZA BATH FILLER

PI/104/C



The information contained on this page was correct at the date of issue. Fitting dimensions are provided as a guide only. Some variation may occur due to manufacturing tolerances. We pursue a policy of continuing improvement in design and performance of our products and so reserve the right to change specifications without prior notice

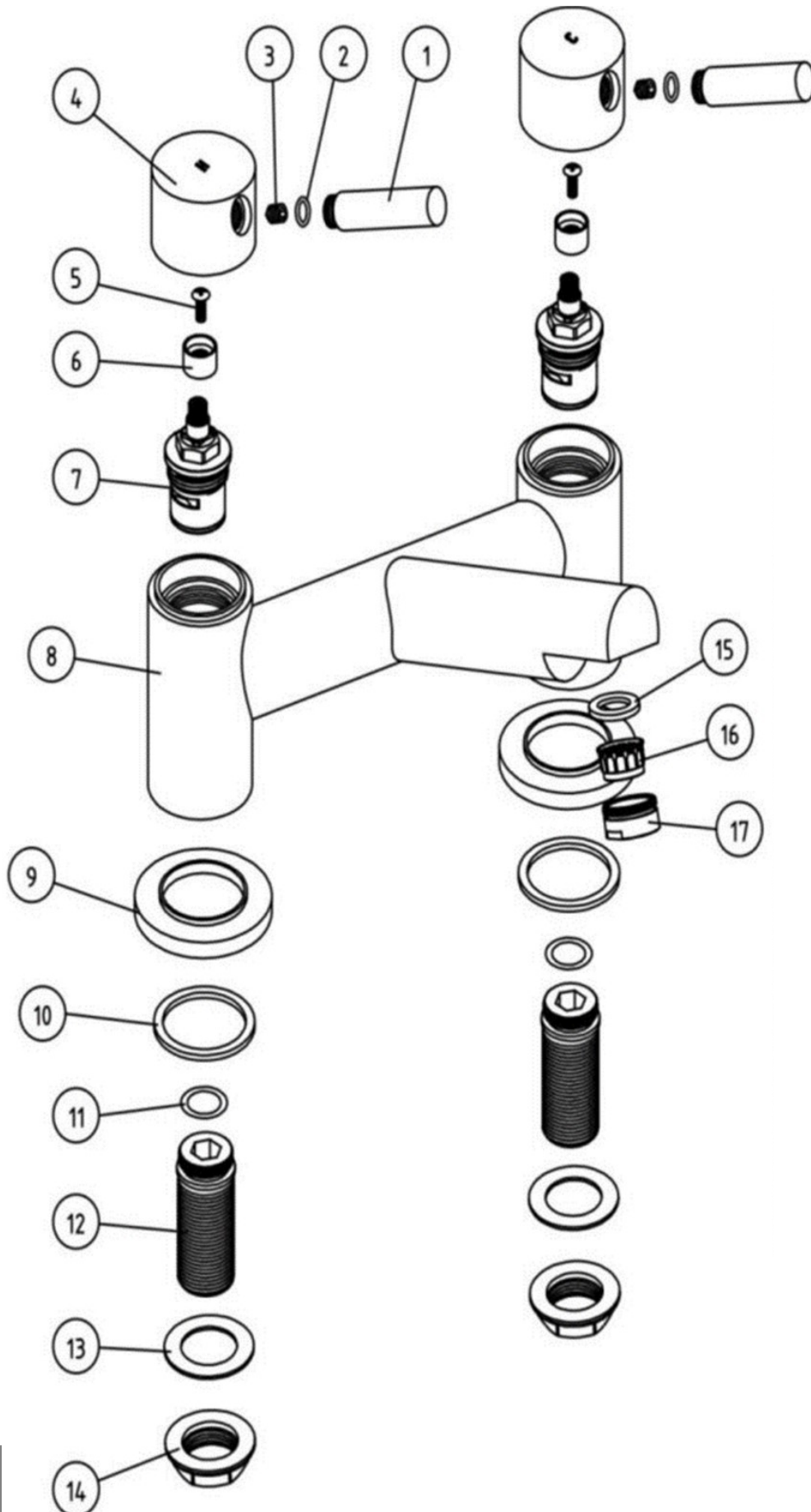
FOR FURTHER ADVICE PLEASE CONTACT :-

SAGITTARIUS LTD UNIT 1 LOWER VICTORIA STREET—CHADDERTON—OLDHAM—OL9 9TU TEL:0616 6202029

EMAIL:TECHNICAL@SAGITTARIUSTAPS.CO.UK

Flow Rates (Litres per minute)

System Pressure	0.1 Bar	0.2 Bar	0.3 Bar	0.5 Bar	1.0 Bar	1.5 Bar	2.0 Bar	3.0 Bar	4.0 Bar	5.0 Bar
	8.5	8.7	-	10.3	11.9	13.8	15.3	19.0	-	-



No.	Description	Qty
1	Handle Bar	2
2	9*1.5 O-Ring	2
3	M5*6 Screw	2
4	Handle	2
5	M4*9 Screw	2
6	PVC Core	2
7	3/4" Cartridge	2
8	Tap Body	1
9	ø50BASE PLATE	2
10	46*38*2.5 Washer	2
11	24*2.4 O-Ring	2
12	3/4" BSP TAILS	2
13	3 /4 Washer	2
14	Back Nuts	2
15	23*15*3 Washer	1
16	Aerator	1
17	Nozzle	1