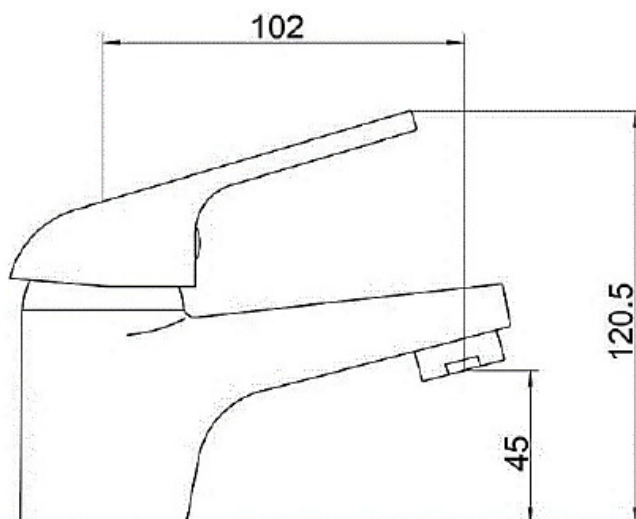


# SAGITTARIUS

## TAPS & SHOWERING

<b>Construction</b>	Brass Body
<b>Finishes</b>	Chrome plated to BS EN 248
<b>Product Type</b>	Contemporary
<b>Water Pressure</b>	Min. 0.2 bar, Max. 5.0 bar
<b>Plumbing Systems</b>	Suitable for all plumbing systems
<b>Standards</b>	Complies with BS5412, BS EN200
<b>Certification</b>	Manufactured to comply with WRAS
<b>Cartridge</b>	35mm ceramic disc cartridge
<b>Fitting</b>	M10 x 350mm ½" BSP Female Flexi Tails
<b>Packaging</b>	54 x 32 x 35cm / carton (20 boxes / carton)
<b>Guarantee</b>	10 years against manufacturing faults (excluding serviceable parts).
<b>Additional Information</b>	Supplied with G 1¼" sprung waste

**PRESTIGE ECO MONO BASIN  
MIXER CHROME  
PE/106/C**



### Flow Rates (Litres per minute)

System Pressure	0.1 Bar	0.2 Bar	0.3 Bar	0.5 Bar	1.0 Bar	1.5 Bar	2.0 Bar	3.0 Bar	4.0 Bar	5.0 Bar
<b>PE106</b>	1.2	3.8	-	7.1	10.4	13.0	16.8	18.1	-	-

The information contained on this page was correct at the date of issue. Fitting dimensions are provided as a guide only. Some variation may occur due to manufacturing tolerances. We pursue a policy of continuing improvement in design and performance of our products and so reserve the right to change specifications without prior notice

FOR FURTHER ADVICE PLEASE CONTACT :-

SAGITTARIUS LTD UNIT 1 LOWER VICTORIA STREET—CHADDERTON—OLDHAM—OL9 9TU TEL:0616 6202029

EMAIL:TECHNICAL@SAGITTARIUSTAPS.CO.UK