

SAGITTARIUS

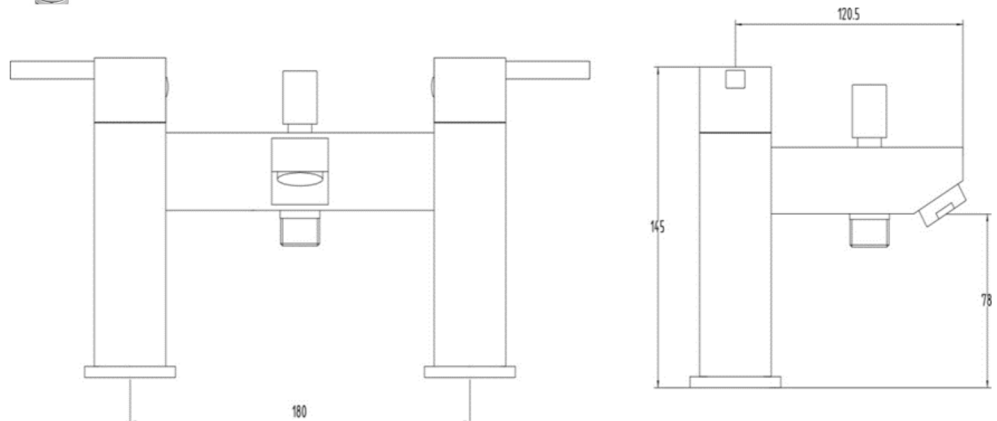
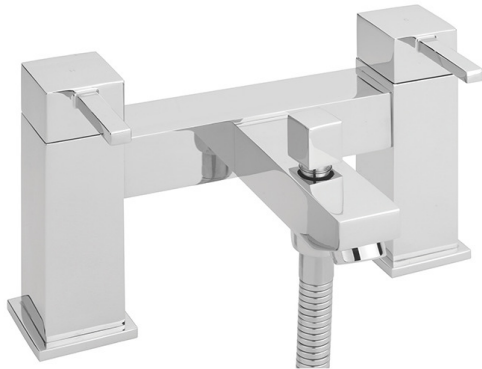
TAPS & SHOWERING

Construction	Brass Body CuZn40Pb2, EN CW617N (equivalent to BS CZ122); zinc alloy handle
Finishes	Chrome plated to BS EN 248
Product Type	Contemporary
Water Pressure	Min. 0.5 bar, Max. 6.0 bar
Plumbing Systems	Suitable for all plumbing systems
Standards	Complies with BS5412, BS EN200
Certification	-
Cartridge	1/4 Turn 3/4" Ceramic Disc Valves
Fitting	3/4" BSP
Aerator	Aerator spout
Packaging	44.5 x 26 x 33cm / carton (4 boxes / carton)
Guarantee	10 years against manufacturing faults (excluding serviceable parts).
Additional Information	Supplied with Stainless steel , 1.5m Shower hose; Chrome , ABS Shower handset & holder.

PABLO BATH SHOWER

MIXER CHROME

PA/105/C



Flow Rates (Litres per minute)

System Pressure	0.1 Bar	0.2 Bar	0.3 Bar	0.5 Bar	1.0 Bar	1.5 Bar	2.0 Bar	3.0 Bar	4.0 Bar	5.0 Bar
PA/105/C	-	4.9	-	12.0	18.0	23.0	27.2	33.6	-	-

The information contained on this page was correct at the date of issue. Fitting dimensions are provided as a guide only. Some variation may occur due to manufacturing tolerances. We pursue a policy of continuing improvement in design and performance of our products and so reserve the right to change specifications without prior notice

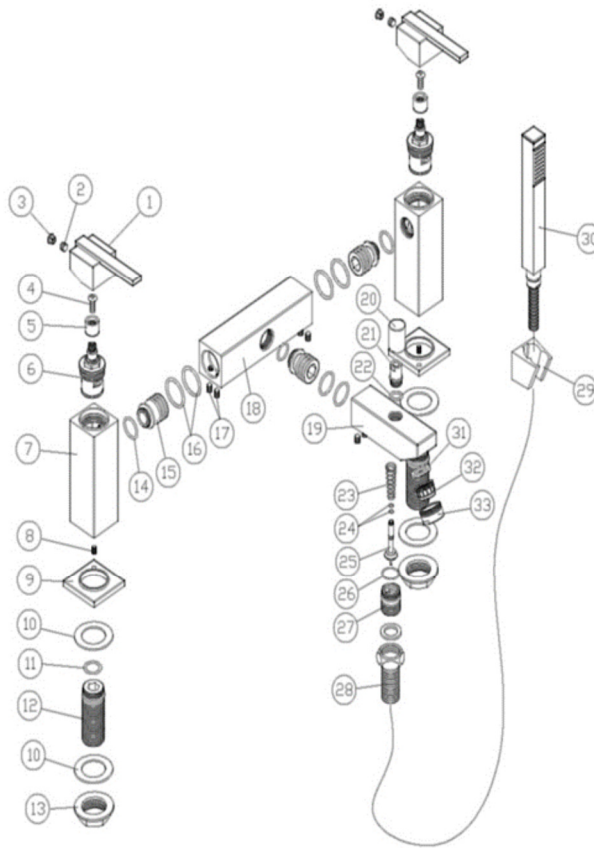
FOR FURTHER ADVICE PLEASE CONTACT :-

SAGITTARIUS LTD UNIT 1 LOWER VICTORIA STREET—CHADDERTON—OLDHAM—OL9 9TU TEL:0616 6202029

EMAIL:TECHNICAL@SAGITTARIUSTAPS.CO.UK

Exploded diagram PA/105/C

NO.	DESCRIPTION	QTY
21	CONNECTOR	1
22	"O" RING	1
23	SHORT SPRING	1
24	"O" RING	2
25	DIVERTOR STEM	1
28	"O" RING	1
27	HOSE CONNECTOR	1
28	1.5M HOSE	1
29	SHOWER HOLDER	1
30	HAND SHOWER	1
31	WASHER	1
32	NEOPERL AERATOR	1
33	M24*1 NOZZLE	1



NO.	DESCRIPTION	QTY
1	HANDLE	2
2	SCREW	2
3	INDICE	2
4	SCREW	2
5	PVC CORE	2
6	3/4" QUARTER-TURN CARTRIDGE	1 PAIR
7	SIDE BODY	2
8	SCREW	2
9	BASE PLATE	2
10	WASHER	4
11	"O" RING	2
12	3/4" BSP Tails	2
13	3/4" NUT	2
14	"O"RING	3
15	CONNECTOR	3
16	"O" RING	6
17	SCREW	6
18	MIDDLE BODY	1
19	SPOUT	1
20	DIVERTOR CAP	1

The information contained on this page was correct at the date of issue. Fitting dimensions are provided as a guide only. Some variation may occur due to manufacturing tolerances. We pursue a policy of continuing improvement in design and performance of our products and so reserve the right to change specifications without prior notice

FOR FURTHER ADVICE PLEASE CONTACT :-
 SAGITTARIUS LTD UNIT 1 LOWER VICTORIA STREET—CHADDERTON—OLDHAM—OL9 9TU TEL:0616 6202029
 EMAIL:TECHNICAL@SAGITTARIUSTAPS.CO.UK