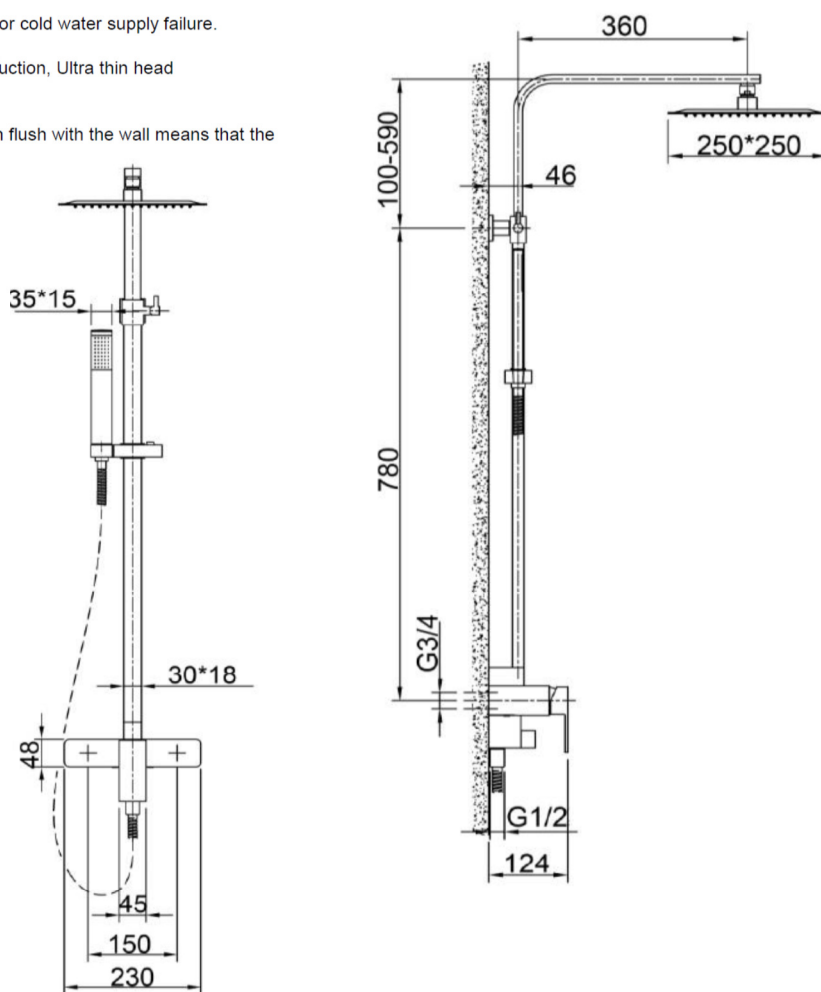


# SAGITTARIUS

## TAPS & SHOWERING

### NICE EXP THERMOSTATIC VALVE AND RIGID RISER NI/248/C

<b>Construction</b>	Brass Body CuZn40Pb2, EN CW617N (equivalent to BS CZ122)
<b>Finishes</b>	Chrome plated to BS EN 248
<b>Product Type</b>	Contemporary
<b>Water Pressure</b>	Min. 0.5 bar, Max. 6.0 bar
<b>Plumbing Systems</b>	Suitable for all plumbing systems.
<b>Standards</b>	Complies with BS 5412, BS EN200 & BS EN 1111
<b>Certification</b>	Manufactured to comply with WRAS
<b>Cartridge</b>	triduon® thermostatic
<b>Fitting</b>	Escutcheon
<b>Packaging</b>	86 x 42 x 46cm / carton (4 boxes / carton)
<b>Guarantee</b>	10 years against manufacturing faults (excluding serviceable parts).
<b>Additional Information</b>	<ol style="list-style-type: none"> <li>1. Temperature : Pre-set 38°C</li> <li>2. Automatic shut off in the event of hot or cold water supply failure.</li> <li>3. Stainless steel adjustable riser rail</li> <li>4. Shower head : 250mm SS304, Air Induction, Ultra thin head</li> <li>5. Shower handset : Chrome , ABS</li> <li>6. Shower hose : PVC , 1.5m.</li> <li>7. WALL FLUSHING VALVE installation flush with the wall means that the connections are elegantly concealed.</li> </ol>



#### Flow Rates (Litres per minute)

System Pressure	0.1 Bar	0.2 Bar	0.3 Bar	0.5 Bar	1.0 Bar	1.5 Bar	2.0 Bar	3.0 Bar	4.0 Bar	5.0 Bar
NI/248/C	-	4.5	-	8.5	14.1	-	-	24.1	-	-

The information contained on this page was correct at the date of issue. Fitting dimensions are provided as a guide only. Some variation may occur due to manufacturing tolerances. We pursue a policy of continuing improvement in design and performance of our products and so reserve the right to change specifications without prior notice

FOR FURTHER ADVICE PLEASE CONTACT :-

SAGITTARIUS LTD UNIT 1 LOWER VICTORIA STREET—CHADDERTON—OLDHAM—OL9 9TU TEL:0616 6202029

EMAIL:TECHNICAL@SAGITTARIUSTAPS.CO.UK