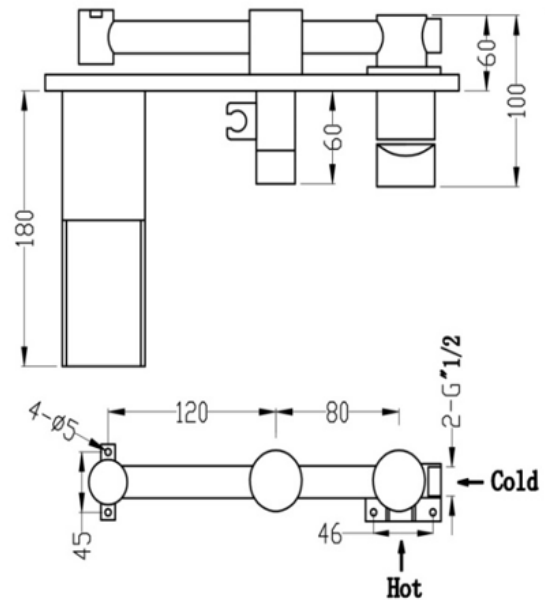
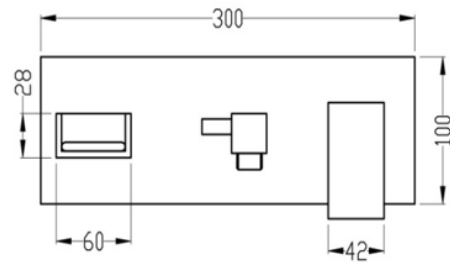


SAGITTARIUS

TAPS & SHOWERING

Construction	Brass Body CuZn40Pb2, EN CW617N (equivalent to BS CZ122) Zinc alloy Handle
Finishes	Chrome plated to BS EN 248
Product Type	Contemporary
Water Pressure	Min. 0.5 bar, Max. 6.0 bar
Plumbing Systems	Suitable for all plumbing systems
Standards	Complies with BS5412, BS EN200
Certification	-
Cartridge	35mm Ceramic Disc Cartridge
Aerator	Laminar spout
Fitting	G1/2" BSP
Packaging	53 x 38x 37cm / carton (4 boxes / carton)
Guarantee	10 years against manufacturing faults (excluding serviceable parts).
Additional Information	1. Smooth PVC shower hose, chrome ABS shower handset; 2. Ceramic disc diverter

NICE WALL MOUNTED
B/S MIXER CHROME
NI/127/C



Flow Rates (Litres per minute)

System Pressure	0.1 Bar	0.2 Bar	0.3 Bar	0.5 Bar	1.0 Bar	1.5 Bar	2.0 Bar	3.0 Bar	4.0 Bar	5.0 Bar
NI/127/C	4.30	5.30	-	8.90	12.60	-	-	-	-	-

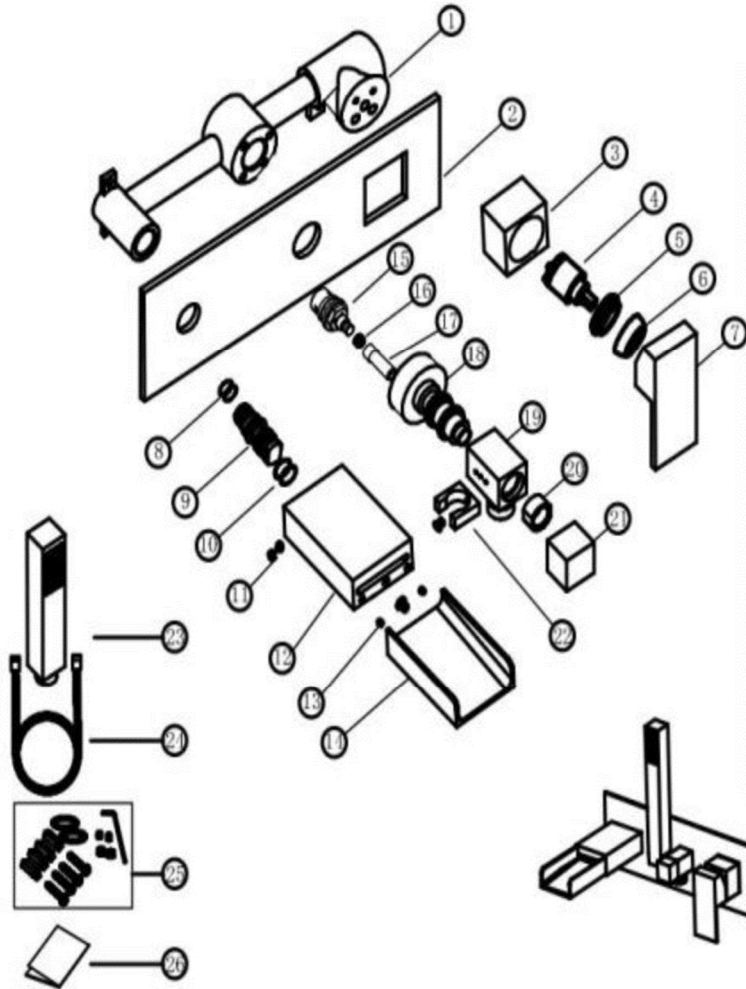
The information contained on this page was correct at the date of issue. Fitting dimensions are provided as a guide only. Some variation may occur due to manufacturing tolerances. We pursue a policy of continuing improvement in design and performance of our products and so reserve the right to change specifications without prior notice

FOR FURTHER ADVICE PLEASE CONTACT :-

SAGITTARIUS LTD UNIT 1 LOWER VICTORIA STREET—CHADDERTON—OLDHAM—OL9 9TU TEL:0616 6202029

EMAIL:TECHNICAL@SAGITTARIUSTAPS.CO.UK

EXPLODED PARTS NI/127/C

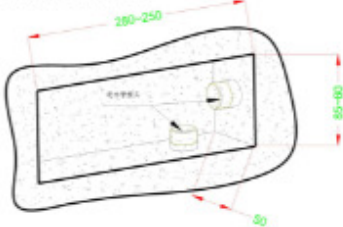


26	INSTRUCTIONS	1
25	FIXING KIT	1
24	1.5M FLEXI	1
23	HANDSET	1
22	HANDSET HOLDER	1
21	DIVERTER HANDLE	1
20	NUT	1
19	DIVERTER	1
18	DIVERTER COVER	1
17	STEM	1
16	O-RING	2
15	DIVERTER CARTRIDGE	1
14	SPOUT	1
13	SCREW	4
12	SPOUT BASE	1
11	SCREW	2
10	O-RING	2
9	CONNECTOR	1
8	O-RING	2
7	HANDLE	1
6	SHROUD	1
5	CARTRIDGE NUT	1
4	CARTRIDGE	1
3	CARTRIDGE COVER	1
2	WALL COVER	1
1	BODY	1
No.	NAME	QTY

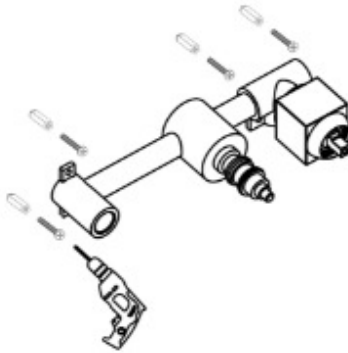
The information contained on this page was correct at the date of issue. Fitting dimensions are provided as a guide only. Some variation may occur due to manufacturing tolerances. We pursue a policy of continuing improvement in design and performance of our products and so reserve the right to change specifications without prior notice

FOR FURTHER ADVICE PLEASE CONTACT :-
 SAGITTARIUS LTD UNIT 1 LOWER VICTORIA STREET—CHADDERTON—OLDHAM—OL9 9TU TEL:0616 6202029
 EMAIL:TECHNICAL@SAGITTARIUSTAPS.CO.UK

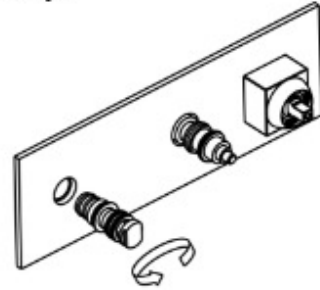
1. Connect to the cold and hot water supplies before screwing the mixer body onto the hole provided: which is the size of (250-280)x(60-85)x50mm(LxWxD), and hot/cold water connectors.



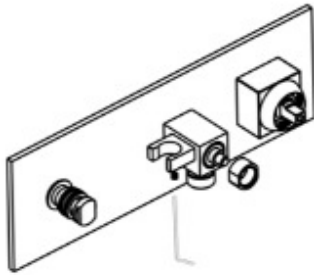
2. After inlet pipes connected, remove the outlet connector and the Diverter, then fix the Mixer body.



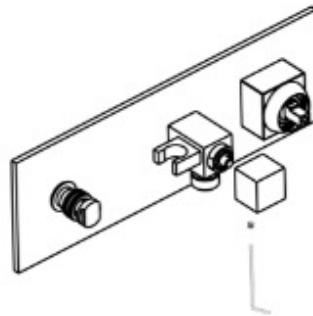
3. Refer to the diagram, locate and fit the plate by screwing outlet connector to the mixer body.



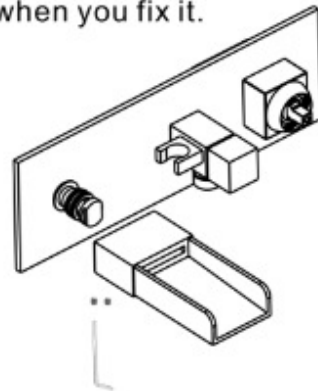
4. Adjust the Diverter and the flow cartridge to the right position and screw diverter body on.



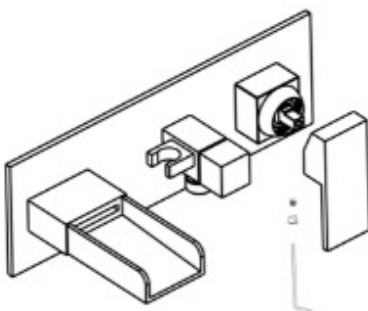
5. Screw the square diverter cap on.



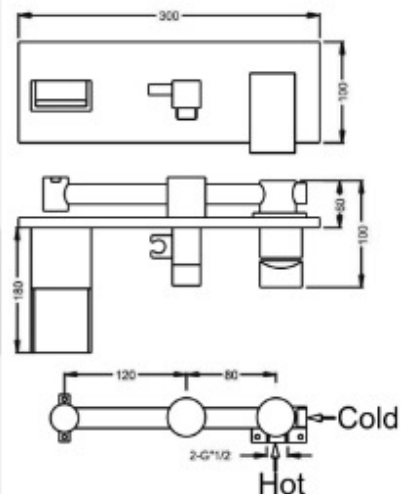
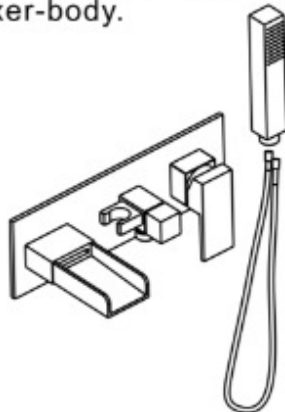
6. Screw the spout on after levelled. Make sure you protect the Chrome plated surface when you fix it.



7. Screw the flow handle on and put the screw cap on afterwards.



8. Connect the hose pipe to both ends of Shower-head and the Mixer-body.

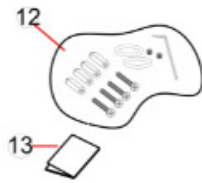
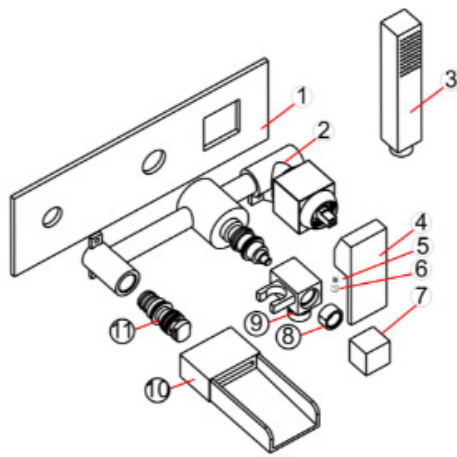


The information contained on this page was correct at the date of issue. Fitting dimensions are provided as a guide only. Some variation may occur due to manufacturing tolerances. We pursue a policy of continuing improvement in design and performance of our products and so reserve the right to change specifications without prior notice

FOR FURTHER ADVICE PLEASE CONTACT :-

SAGITTARIUS LTD UNIT 1 LOWER VICTORIA STREET—CHADDERTON—OLDHAM—OL9 9TU TEL:0616 6202029

EMAIL:TECHNICAL@SAGITTARIUSTAPS.CO.UK



No	Description	Quantity
1	plate	1
2	Mixer body	1
3	Handset shower head	1
4	Flow handle	1
5	Grub Screw	1
6	Screw cap	1
7	Diverter cap	1
8	Nut	1
9	Diverter	1
10	Spout	1
11	Connector (outlet)	1
12	Accessories	1
13	Instructions	1

Notes:

1. Turn on the water supplies, and check all connections for leaks after fixed.
2. Lift the handle up/down to switch it on/off, The higher you rise the lever, the bigger the water-flow. Reduce the water-flow by lowering the handle until switched off. Turning left/right to increase/decrease the water temperature.

Care and Maintenance

Important: When joining any screw connections always use PTFE tape and ensure the joints are fully tightened. Once the product is installed always check the entire installation for leaks. (BEFORE Tiling or Finishing).

Your product may require non-return valves to suit your water system or to conform to local water Bylaws.

Once the product has been installed turn both the hot and cold water on, thoroughly flush any small particles that may have been dislodged during the installation of the product.

Only clean the product with a soft cloth, warm water and a mild detergent solution, rinse the product clean thoroughly afterwards with water. Do not use any abrasive or harsh chemical products, otherwise this will invalidate your guarantee.

These instructions are only intended as a guide, if there is any doubt then contact a certified plumber.

Water Regulations Requirements :

It is important to ensure that the water supplies to your taps and mixers are connected in accordance

with the water regulation (WRAS) requirements and good plumbing practice.

It is good plumbing practice that the supplies of hot and cold water to the Bathroom fitting should be equal (balanced) pressure in order to provide a consistent flow. Supplies should be from a common source, either mains or tank fed. If supplies are not equal pressures then a Non Return Valve (Check Valve) should be fitted on the hot inlet.

It is our recommendation and good plumbing practice that a service valve should be installed in the inlet supply lines to allow isolation of the Bathroom fitting.

1. Make sure both Hot and Cold supplies have been isolated and drained.

2. Rotate the spout and body so the tap is facing forwards. The spout screw on the tap indicates the rear of the body. Typically the hot water should be on the left-hand side of the tap.

Loosely position the tap with the tail pipes to check if any alteration to the existing pipework is required, if this is the case do this now. You must thoroughly flush the hot and cold pipes, before installing the tap to ensure that the supply is free of any debris.

The information contained on this page was correct at the date of issue. Fitting dimensions are provided as a guide only. Some variation may occur due to manufacturing tolerances.

We pursue a policy of continuing improvement in design and performance of our products and so reserve the right to change specifications without prior notice

FOR FURTHER ADVICE PLEASE CONTACT :-

SAGITTARIUS LTD UNIT 1 LOWER VICTORIA STREET—CHADDERTON—OLDHAM—OL9 9TU TEL:0616 6202029

EMAIL:TECHNICAL@SAGITTARIUSTAPS.CO.UK