

SAGITTARIUS

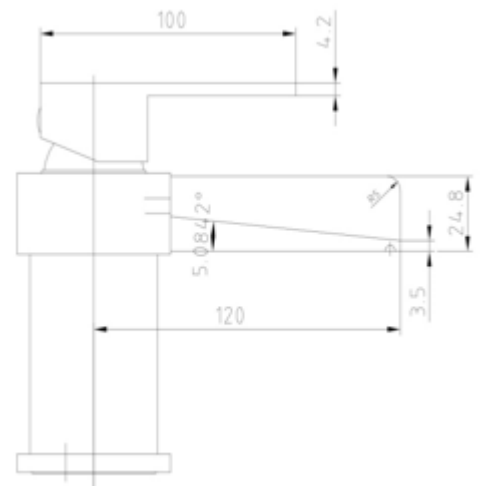
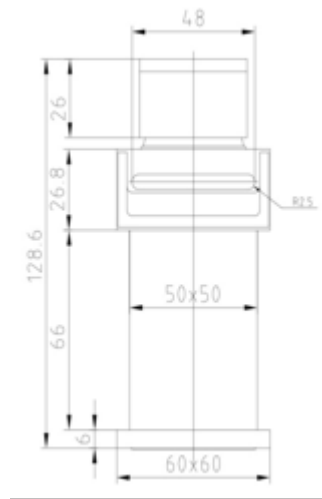
TAPS & SHOWERING

Construction	Brass Body CuZn40Pb2, EN CW617N (equivalent to BS CZ122) Zinc alloy Handle
Finishes	Chrome plated to BS EN 248
Product Type	Contemporary
Water Pressure	Min. 0.2 bar, Max. 6.0 bar
Plumbing Systems	Suitable for all plumbing systems
Standards	Complies with BS6920, BS EN200
Certification	-
Cartridge	35mm Ceramic Disc Cartridge
Aerator	Laminar spout
Fitting	UK: M10 x 350mm ½" BSP Female Flexi Tails . EU: M10x350mm 3/8" BSP Female Flexi Tails.
Packaging	43 x 30 x 40cm / carton (8 boxes / carton)
Guarantee	10 years against manufacturing faults (excluding serviceable parts).
Additional Information	Supplied with G 1¼" sprung waste(UK only)

NICE MONO BASIN

MIXER CHROME

NI/106/C



Flow Rates (Litres per minute)

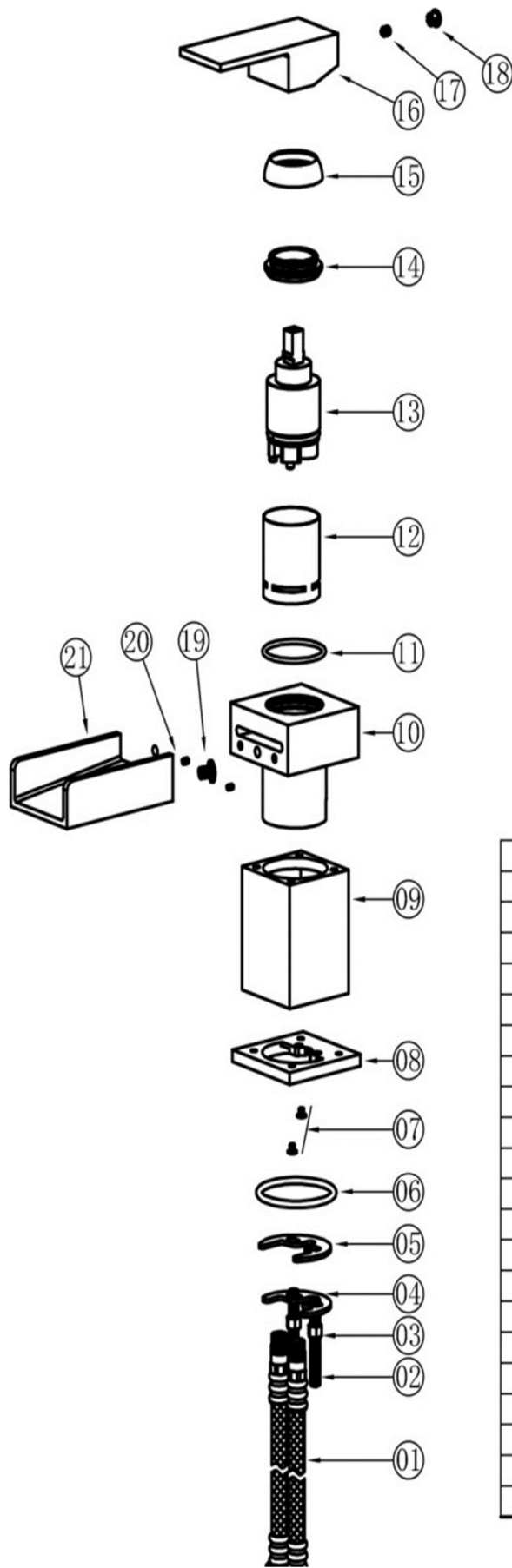
System Pressure	0.1 Bar	0.2 Bar	0.3 Bar	0.5 Bar	1.0 Bar	1.5 Bar	2.0 Bar	3.0 Bar	4.0 Bar	5.0 Bar
NI/106/C	3.00	4.00	-	6.50	9.50	11.50	13.50	16.50	-	-

The information contained on this page was correct at the date of issue. Fitting dimensions are provided as a guide only. Some variation may occur due to manufacturing tolerances. We pursue a policy of continuing improvement in design and performance of our products and so reserve the right to change specifications without prior notice

FOR FURTHER ADVICE PLEASE CONTACT :-

SAGITTARIUS LTD UNIT 1 LOWER VICTORIA STREET—CHADDERTON—OLDHAM—OL9 9TU TEL:0616 6202029

EMAIL:TECHNICAL@SAGITTARIUSTAPS.CO.UK



21	Z05-21	Spout	1
20	Z05-20	Screw	2
19	Z05-19	Grub screw	1
18	Z05-18	Cap	1
17	Z05-17	Grub screw	1
16	Z05-16	Handle	1
15	Z05-15	Chrome collar	1
14	Z05-14	Brass nut	1
13	Z05-13	Cartridge	1
12	Z05-12	Cartridge cover	1
11	Z05-11	O-ring	1
10	Z05-10	Body head	1
9	Z05-9	Body	1
8	Z05-8	Base plate	1
7	Z05-7	Screw	2
6	Z05-6	O-ring	1
5	Z05-5	Horseshoe seal	1
4	Z05-4	Horseshoe washer	1
3	Z05-3	Stud Nut	2
2	Z05-2	Threaded bar	2
1	Z05-1	Flexi Tails	2
No	Code	Name	Qty

The information contained on this page was correct at the date of issue. Fitting dimensions are provided as a guide only. Some variation may occur due to manufacturing tolerances. We pursue a policy of continuing improvement in design and performance of our products and so reserve the right to change specifications without prior notice

FOR FURTHER ADVICE PLEASE CONTACT :-
 SAGITTARIUS LTD UNIT 1 LOWER VICTORIA STREET—CHADDERTON—OLDHAM—OL9 9TU TEL:0616 6202029
 EMAIL:TECHNICAL@SAGITTARIUSTAPS.CO.UK