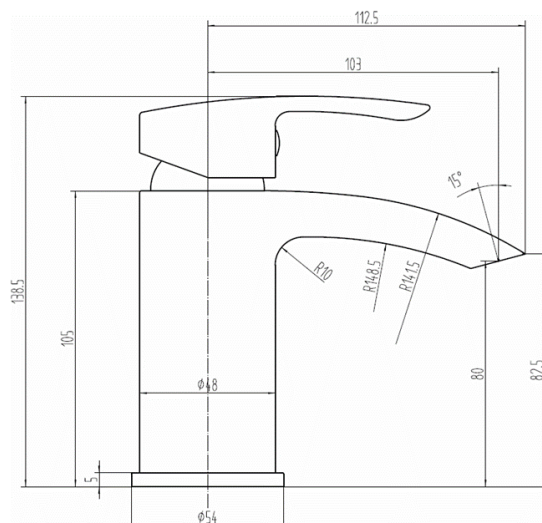


SAGITTARIUS

TAPS & SHOWERING

Construction	Brass Body, Zinc-alloy Handle
Finishes	Chrome plated to BS EN 248
Product Type	Contemporary
Water Pressure Tested Between	Min. 0.2 bar, Max. 6.0 bar
Standards	Complies with BS6920, BS EN200
Certification	WRAS approved and certified
Net Weight (Tap only)	921g
Cartridge	WRAS approved 35mm Ceramic disc cartridge
Aerator	Laminar spout
Fitting	UK: M10 x 350mm G1/2" BSP Female Flexi Tails EU: M10 x 350mm G3/8" BSP Female Flexi Tails
Guarantee	10 years against manufacturing faults (excluding serviceable parts)
Additional Information	Supplied with G1¼" sprung waste (UK only)

NAPLES MONO BLOC BASIN MIXER NA/106



LOW PRESSURE
0.2-0.5 bar



COMBI BOILER



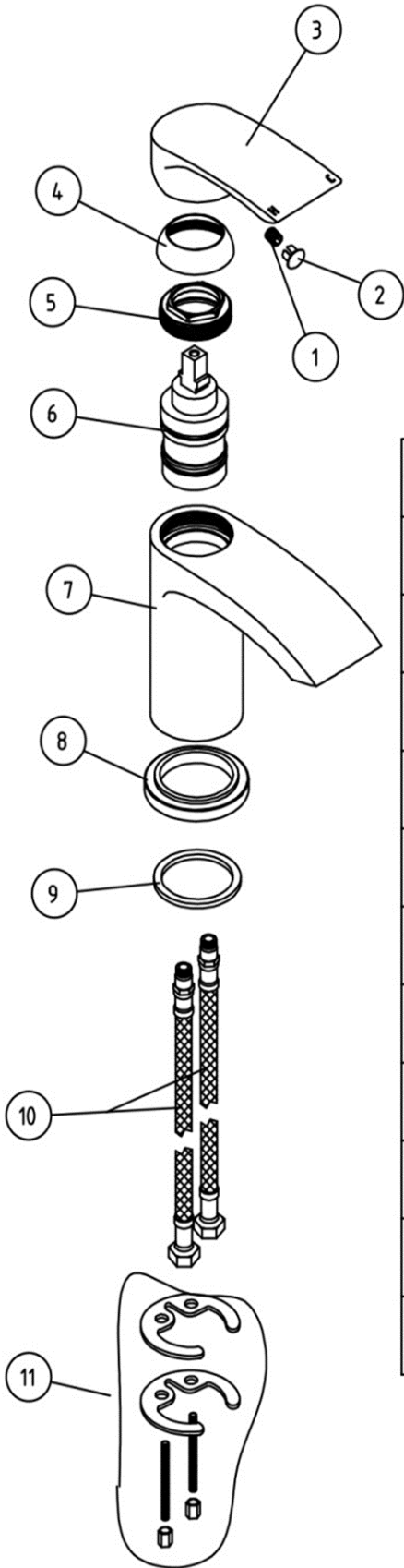
HIGH PRESSURE
1.2-1.5+ bar

The information contained on this page was correct at the date of issue. Fitting dimensions are provided as a guide only. Some variation may occur due to manufacturing tolerances. We pursue a policy of continuing improvement in design and performance of our products and so reserve the right to change specifications without prior notice

FOR FURTHER ADVICE PLEASE CONTACT :-
SAGITTARIUS LTD UNIT 1 LOWER VICTORIA STREET—CHADDERTON—OLDHAM—OL9 9TU TEL:0616 6202029
EMAIL:TECHNICAL@SAGITTARIUSTAPS.CO.UK

Flow Rates (Litres per minute)

System Pressure	0.1 Bar	0.2 Bar	0.3 Bar	0.5 Bar	1.0 Bar	1.5 Bar	2.0 Bar	3.0 Bar	4.0 Bar	5.0 Bar
	2.8	4.6	-	7.5	10.1	13.3	15.5	18.9	-	-



NO.	CODE	DESCRIPTION	QTY
1	SB05-01	SCREW	1
2	SB05-02	INDICE	1
3	SB05-03	HANDLE	1
4	SB05-04	PLASTIC COVER	1
5	SB05-05	CARTRIDGE NUT	1
6	SB05-06	35 UP-SEAL CARTRIDGE	1
7	SB05-07	BODY	1
8	SB05-08	BASE PLATE	1
9	SB05-09	WASHER	1
10	SB05-10	M10*1*400 FLEXI TAILS	1 PAIR
11	SB05-11	M6 FIXING KIT	1