

SAGITTARIUS

TAPS & SHOWERING

Construction	Brass Body, Zinc-alloy Handles
Finishes	Chrome plated to BS EN 248
Product Type	Contemporary
Water Pressure Tested Between Standards	Min. 0.2 bar, Max. 6.0 bar
Certification	Complies with BS5412, BS EN200
Cartridge	WRAS approved and certified
Net Weight (Tap only)	1/4 Turn 3/4" Ceramic disc valves
Aerator	2100g
Fitting	Laminar spout
Guarantee	Brass G $\frac{3}{4}$ " BSP tails
Additional Information	10 years against manufacturing faults (excluding serviceable parts)
	1. Shower handset : Chrome , ABS , single mode
	2. Handset holder : Chrome , ABS , wall mounted
	3. Shower hose : Stainless steel , double interlock 1.5m , G1/2" BSP connections

Operating Water Pressure



LOW PRESSURE
0.2-0.5 bar

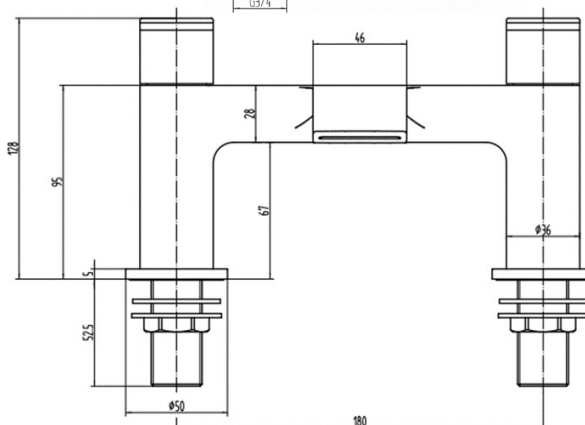
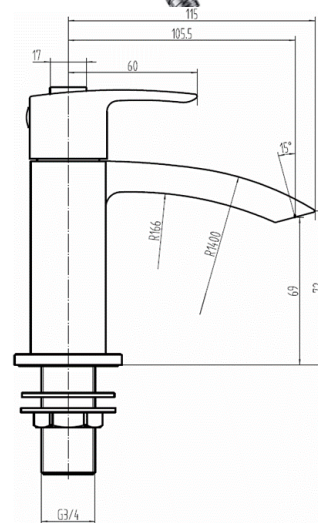


COMBI BOILER



HIGH PRESSURE
1.2-1.5+ bar

NAPLES BATH SHOWER MIXER ER NA/105



The information contained on this page was correct at the date of issue. Fitting dimensions are provided as a guide only. Some variation may occur due to manufacturing tolerances. We pursue a policy of continuing improvement in design and performance of our products and so reserve the right to change specifications without prior notice

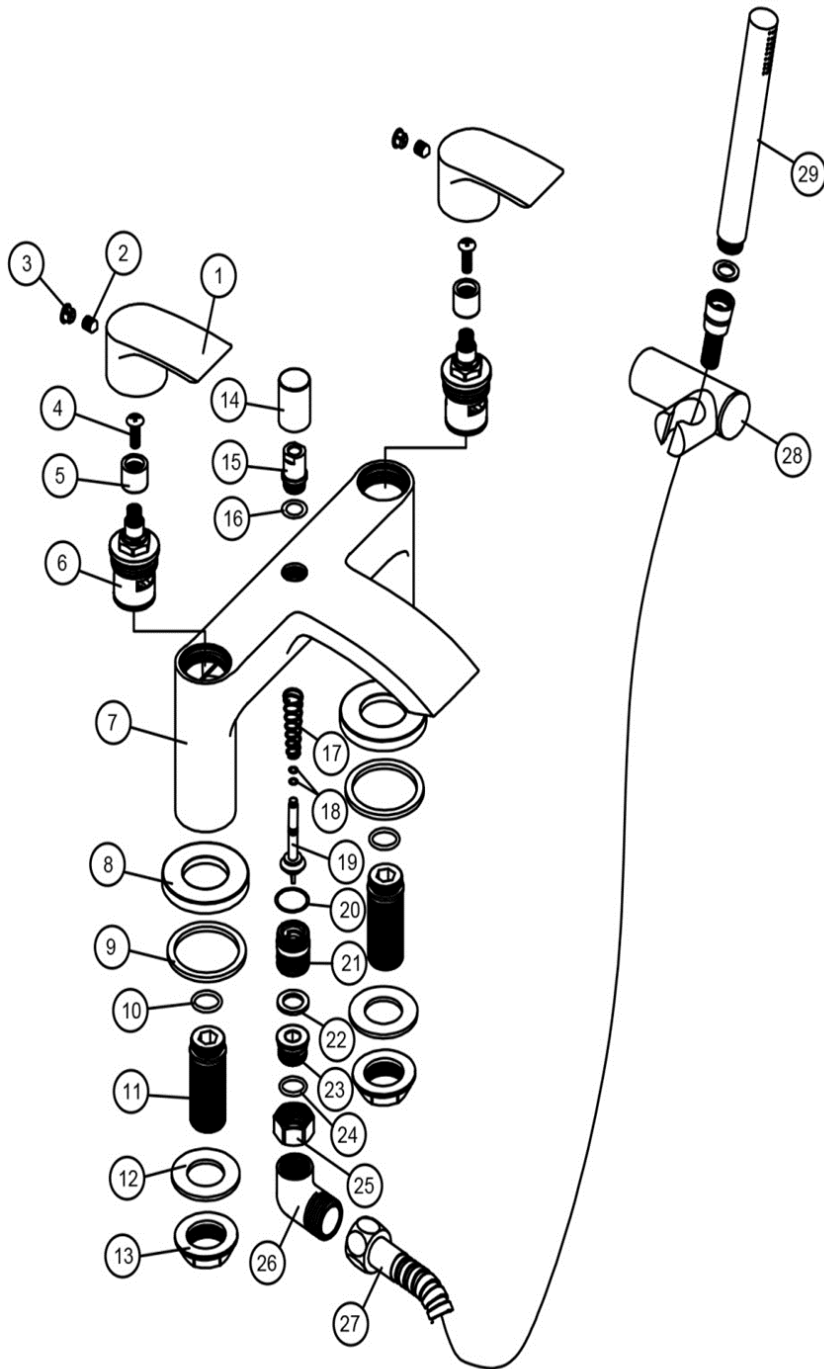
FOR FURTHER ADVICE PLEASE CONTACT :-

SAGITTARIUS LTD UNIT 1 LOWER VICTORIA STREET—CHADDERTON—OLDHAM—OL9 9TU TEL:0616 6202029

EMAIL:TECHNICAL@SAGITTARIUSTAPS.CO.UK

Flow Rates (Litres per minute)

System Pressure	0.1 Bar	0.2 Bar	0.3 Bar	0.5 Bar	1.0 Bar	1.5 Bar	2.0 Bar	3.0 Bar	4.0 Bar	5.0 Bar
	9.5	11.2	-	16.1	21.9	26.3	30.2	36.0	-	-



NO.	CODE	DESCRIPTION	QTY
1	SB04-01	HANDLE	2
2	SB04-02	M5*6 SCREW	2
3	SB04-03	INDICE	2
4	SB04-04	M4*9 SCREW	2
5	SB04-05	PVC CORE	2
6	SB04-06	3/4" QUARTER-TURN CARTRIDGE	2
7	SB04-07	TAP BODY	1
8	SB04-08	50 BASE PLATE	2
9	SB04-09	46*38*2.5 WASHER	2
10	SB04-10	24*2.4 "O" RING	2
11	SB04-11	3/4" BSP TAILS	2
12	SB04-12	3/4" WASHER	2
13	SB04-13	BACK NUT	2
14	SB04-14	DIVERTOR	1
15	SB04-15	DIVERTOR CONNECTOR	1
16	SB04-16	12*2 "O" RING	1
17	SB04-17	SPRING	1
18	SB04-18	7*1.6 "O" RING	2
19	SB04-19	Diverter STEM	1
20	SB04-20	20*2 "O" RING	1
21	SB04-21	CONNECTOR	1
22	SB04-22	18*12*2 WASHER	1
23	SB04-23	FIXING NUT	1
24	SB04-24	16*2 "O" RING	1
25	SB04-25	FIXING CONNECTOR	1
26	SB04-26	HOSE CONNECTOR	1
27	SB04-27	1.5M SHOWER HOSE	1
28	SB04-28	SHOWER HOLDER	1
29	SB04-29	HAND SHOWER	1

FOR FURTHER ADVICE PLEASE CONTACT :-

SAGITTARIUS LTD UNIT 1 LOWER VICTORIA STREET—CHADDERTON—OLDHAM—OL9 9TU TEL:0616 6202029

EMAIL:TECHNICAL@SAGITTARIUSTAPS.CO.UK