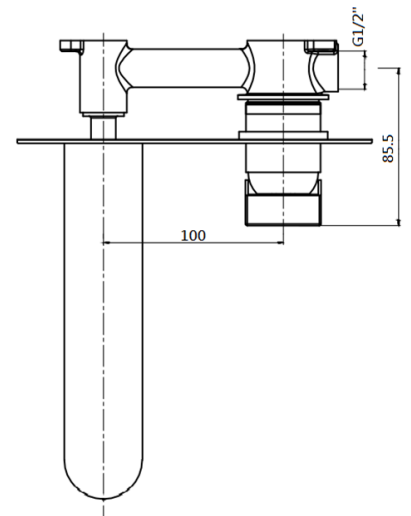


SAGITTARIUS

TAPS & SHOWERING

Product Code	P18C
Construction	Brass Body, Zinc-alloy Handle
Finishes	Chrome
Product Type	Contemporary
Water Pressure Tested Between	Min. 0.2 bar, Max. 6.0 bar
Plumbing Systems	Suitable for all plumbing systems, preferably balanced Max. supply pressure differential requirement no greater than 5:1
Aerator	28*1 Neoperl flow straightener
Fitting	Two Brass G1/2" BSP Female thread (Hot and Cold)
Guarantee	10 years against manufacturing faults (excluding serviceable parts)
Operating Water Pressure	

METRO WALL MOUNTED BASIN MIXER MT/170



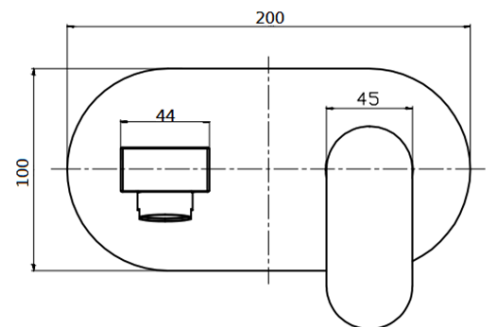
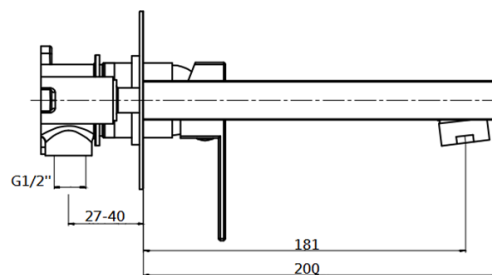
LOW PRESSURE
0.2-0.5 bar



COMBI BOILER



HIGH PRESSURE
1.2-1.5+ bar



The information contained on this page was correct at the date of issue. Fitting dimensions are provided as a guide only. Some variation may occur due to manufacturing tolerances. We pursue a policy of continuing improvement in design and performance of our products and so reserve the right to change specifications without prior notice

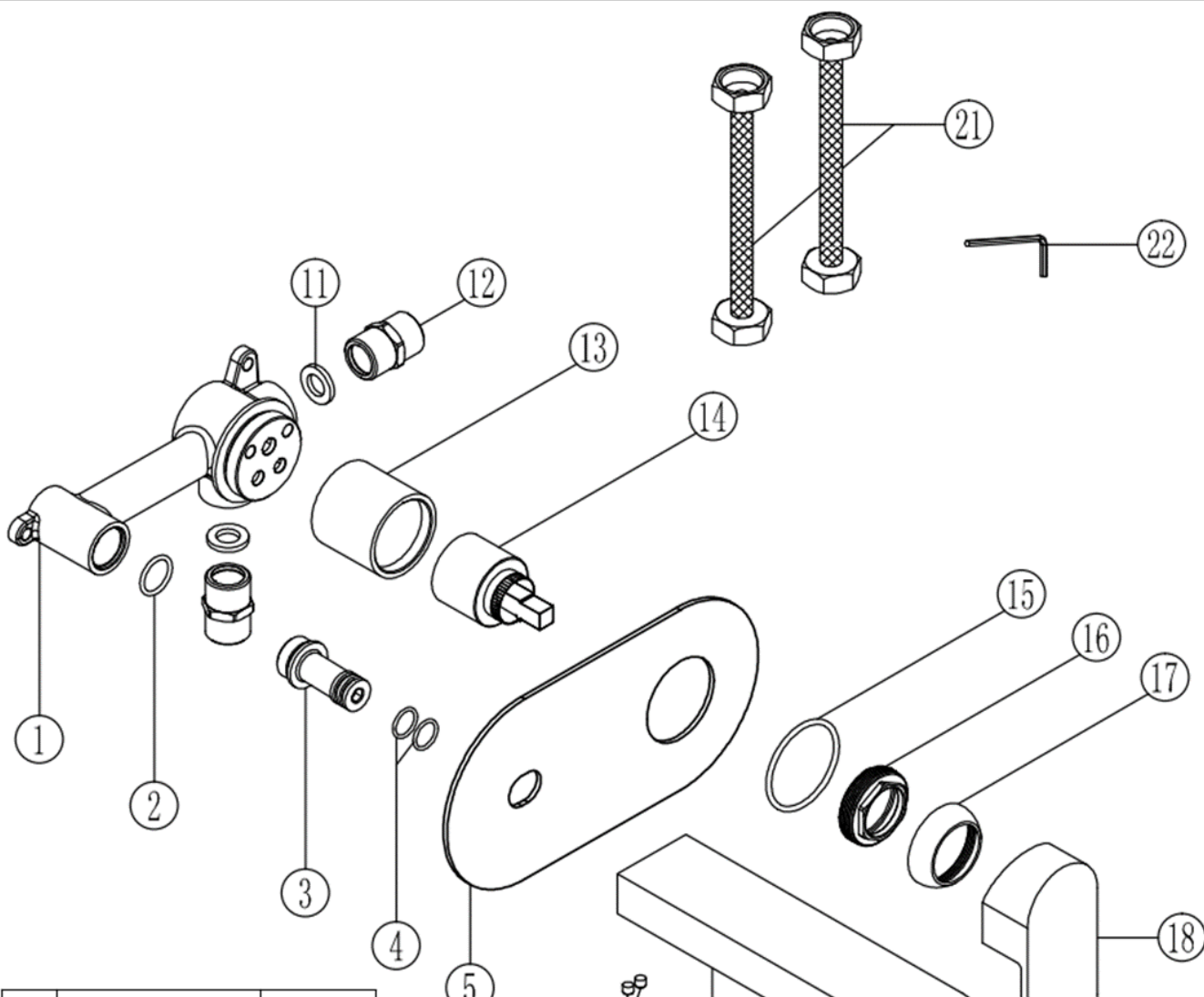
FOR FURTHER ADVICE PLEASE CONTACT :-

SAGITTARIUS LTD UNIT 1 LOWER VICTORIA STREET—CHADDERTON—OLDHAM—OL9 9TU TEL:0616 6202029

EMAIL:TECHNICAL@SAGITTARIUSTAPS.CO.UK

Flow Rates (Litres per minute)

System Pressure	0.1 Bar	0.2 Bar	0.3 Bar	0.5 Bar	1.0 Bar	1.5 Bar	2.0 Bar	3.0 Bar	4.0 Bar	5.0 Bar
	-	3.7	-	5.1	7.2	8.7	9.7	12.2	-	-



No.	DESCRIPTION	QUANTITY
1	COVER	1
2	GRUB SCREW	1
3	HANDLE	1
4	COLLAR	1
5	CARTRIDGE NUT	1
6	CARTRIDGE	1
7	SLEEVE	1
8	BRASS BODY	1
9	WASHER	1
10	FACE PLATE	1
11	O-RING	1
12	OUTLET CONECTOR	1
13	O-RING	4
14	GRUB SCREW	2
15	GRUB SCREW	2
16	SPOUT	1
17	AERATOR	1
18	ALEN KEY	1
19	PLASTIC WRENCH	1
20	PROTECTION COVER	1

