

# SAGITTARIUS

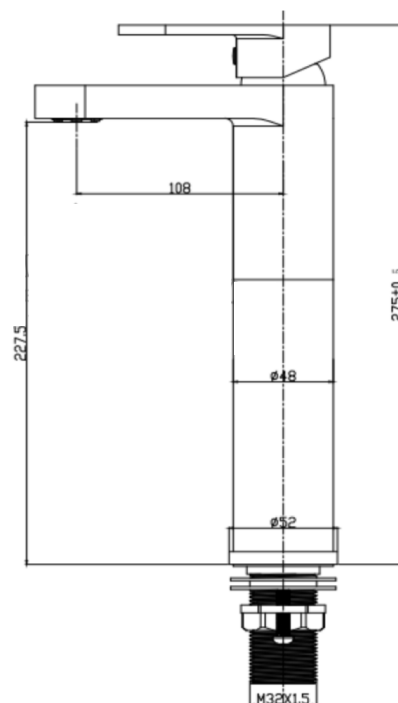
## TAPS & SHOWERING

<b>Construction</b>	Brass Body CuZn40Pb2, EN CW617N (equivalent to BS CZ122) Zinc alloy Handle
<b>Finishes</b>	Chrome : Ni : 8-12um, Cr : 0.25-0.3um
<b>Product Type</b>	Contemporary
<b>Water Pressure</b>	Min. 0.2 bar, Max. 6.0 bar
<b>Plumbing Systems</b>	Suitable for all plumbing systems
<b>Standards</b>	Complies with BS6920, BS EN200
<b>Certification</b>	-
<b>Cartridge</b>	
<b>Aerator</b>	Neoperl Adjustable Slim Aerator
<b>Fitting</b>	UK: M10 x 350mm 1/2" BSP Female Flexi Tails . EU: M10x350mm 3/8" BSP Female Flexi Tails.
<b>Packaging</b>	50x37x34cm/carton(8pcs), Box size: 39x23x8.5cm, Weight: 2.20kg
<b>Guarantee</b>	10 years against manufacturing faults (excluding serviceable parts).

METRO EXTENDED

BASIN MIXER

CHROME MT/109/C



### Flow Rates (Litres per minute)

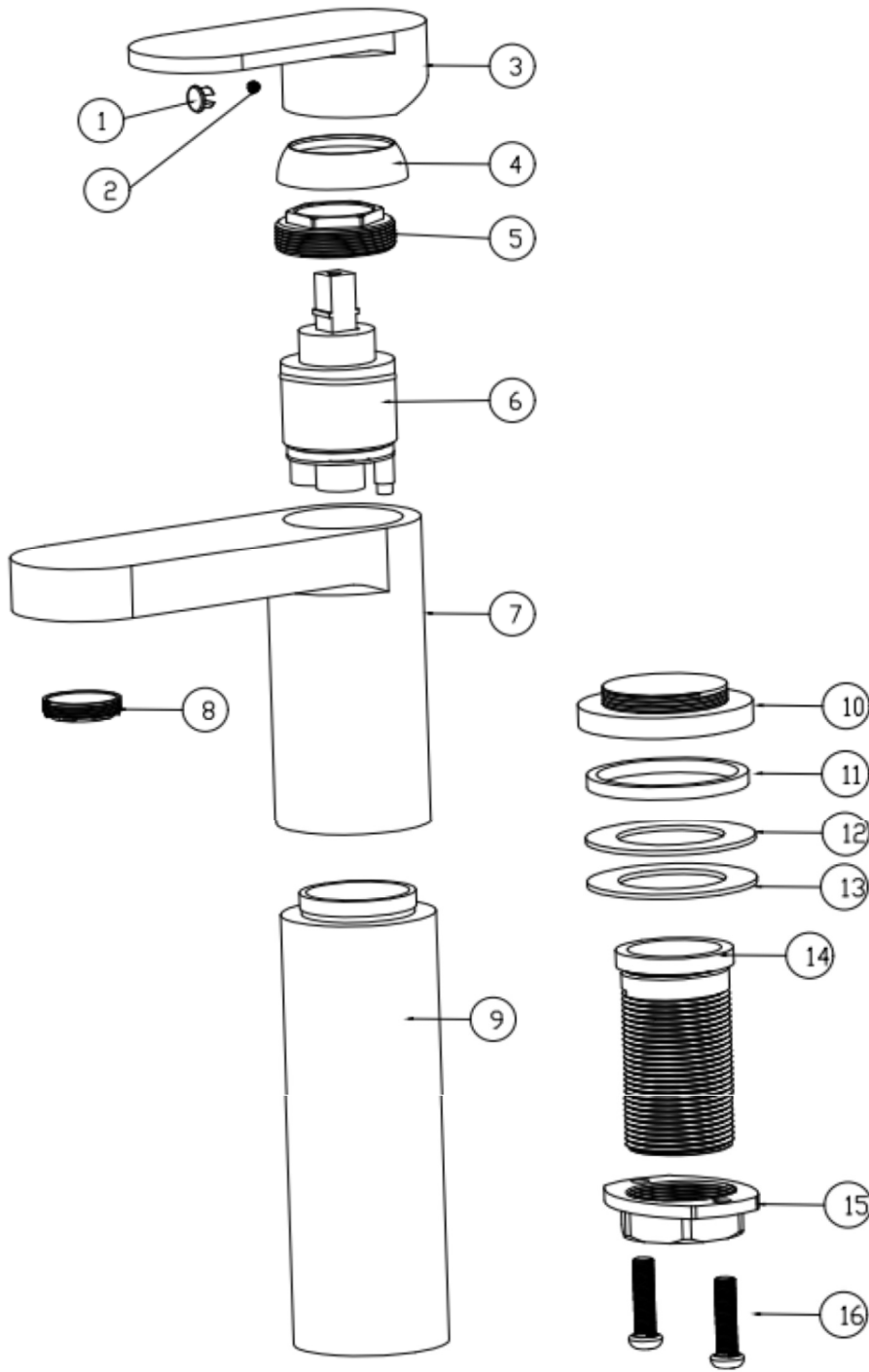
System Pressure	0.1 Bar	0.2 Bar	0.3 Bar	0.5 Bar	1.0 Bar	1.5 Bar	2.0 Bar	3.0 Bar	4.0 Bar	5.0 Bar
MT/109/C	2.7	4.0	5.0	6.3	8.8	10.6	12.3	14.9	17.1	19.0

The information contained on this page was correct at the date of issue. Fitting dimensions are provided as a guide only. Some variation may occur due to manufacturing tolerances. We pursue a policy of continuing improvement in design and performance of our products and so reserve the right to change specifications without prior notice

FOR FURTHER ADVICE PLEASE CONTACT :-

SAGITTARIUS LTD UNIT 1 LOWER VICTORIA STREET—CHADDERTON—OLDHAM—OL9 9TU TEL:0616 6202029

EMAIL:TECHNICAL@SAGITTARIUSTAPS.CO.UK



Index	Description	Qty.
1	Cap	1
2	Screw	1
3	Handle	1
4	Shroud	1
5	Nut	1
6	Cartridge	1
7	Body	1
8	Aerator	1
9	Tube	1
10	Base	1
11	Washer	1
12	Washer	1
13	Washer	1
14	Thread tube	1
15	Fitting nut	1
16	Screw	2

The information contained on this page was correct at the date of issue. Fitting dimensions are provided as a guide only. Some variation may occur due to manufacturing tolerances. We pursue a policy of continuing improvement in design and performance of our products and so reserve the right to change specifications without prior notice

FOR FURTHER ADVICE PLEASE CONTACT :-  
 SAGITTARIUS LTD UNIT 1 LOWER VICTORIA STREET—CHADDERTON—OLDHAM—OL9 9TU TEL:0616 6202029