

SAGITTARIUS

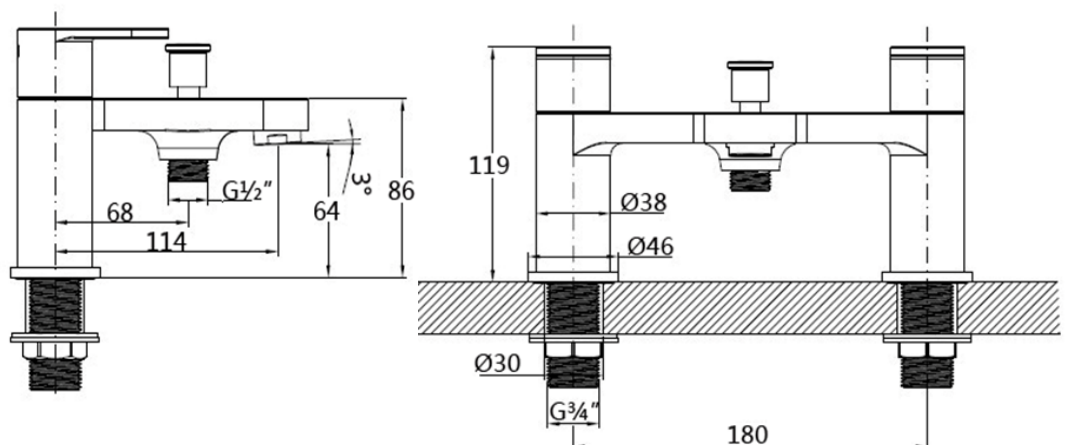
TAPS & SHOWERING

| | |
|-------------------------------|--|
| Construction | Brass Body, Zinc-alloy Handles |
| Finishes | Chrome (Ni : 8-12um, Cr : 0.25-0.3um) |
| Product Type | Contemporary |
| Water Pressure Tested | Min. 0.2 bar (handset) 1.5 bar (spout), |
| Standards | Complies with BS5412, BS EN200 |
| Certification | WRAS (1805053) approved and certified |
| Cartridge | 1/4 Turn 3/4" Ceramic disc valves |
| Aerator | Laminar stream straightener |
| Fitting | Brass G3/4" BSP tails |
| Guarantee | 10 years against manufacturing faults (excluding serviceable parts) |
| Additional Information | 1. Shower handset : Chrome , ABS , single mode 2. Shower hose : Chrome , Smooth PVC , 1.5m 3. Handset holder : Chrome , ABS , wall mounted |

METRO DECK MOUNTED BATH SHOWER MT/105



Operating Water Pressure



The information contained on this page was correct at the date of issue. Fitting dimensions are provided as a guide only. Some variation may occur due to manufacturing tolerances. We pursue a policy of continuing improvement in design and performance of our products and so reserve the right to change specifications without prior notice

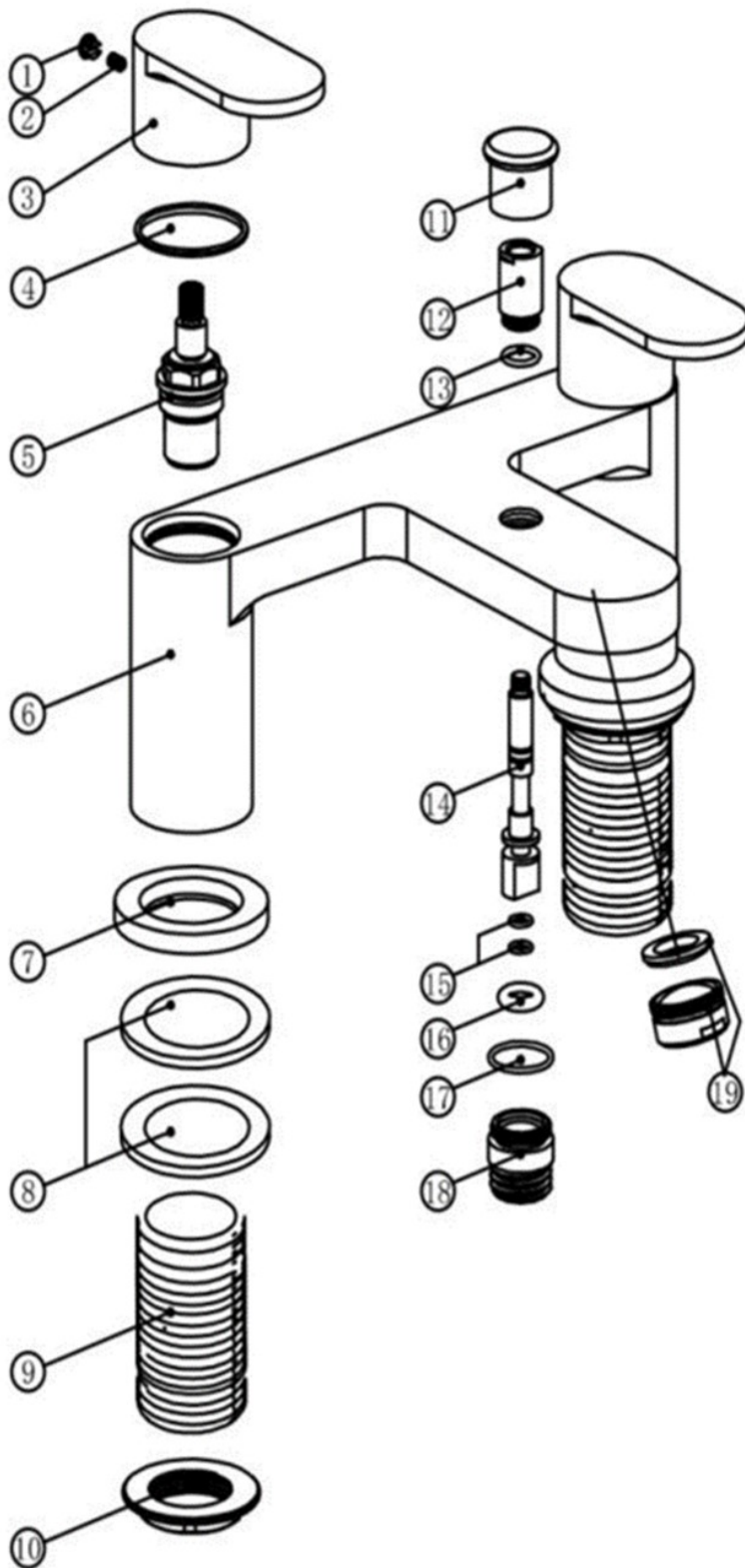
FOR FURTHER ADVICE PLEASE CONTACT :-

SAGITTARIUS LTD UNIT 1 LOWER VICTORIA STREET—CHADDERTON—OLDHAM—OL9 9TU TEL:0616 6202029

EMAIL:TECHNICAL@SAGITTARIUSTAPS.CO.UK

Flow Rates (Litres per minute)

| System Pressure | 0.1 Bar | 0.2 Bar | 0.3 Bar | 0.5 Bar | 1.0 Bar | 1.5 Bar | 2.0 Bar | 3.0 Bar | 4.0 Bar | 5.0 Bar |
|-----------------|---------|---------|---------|---------|---------|---------|---------|---------|---------|---------|
| | - | 5.0 | - | 8.0 | 10.2 | - | 14.0 | - | - | - |



| 19 | AERATOR | 1 |
|----|---------------------|-----|
| 18 | G1/2 HOSE-CONNECTOR | 1 |
| 17 | O-RING | 1 |
| 16 | WASHER | 1 |
| 15 | O-RING | 2 |
| 14 | DIVERTER | 1 |
| 13 | O-RING | 1 |
| 12 | CONNECTOR | 1 |
| 11 | DIVERTER-CAP | 1 |
| 10 | BACK-NUT | 2 |
| 9 | BSP-TAILS | 2 |
| 8 | WASHER | 2 |
| 7 | BASE-PLATE | 2 |
| 6 | BODY | 1 |
| 5 | FLOW-CARTRIDGE | 2 |
| 4 | WASHER | 2 |
| 3 | HANDLE | 2 |
| 2 | M5-GRUB | 2 |
| 1 | CAP | 2 |
| NO | NAME | QTY |

FOR FURTHER ADVICE PLEASE CONTACT :-

SAGITTARIUS LTD UNIT 1 LOWER VICTORIA STREET—CHADDERTON—OLDHAM—OL9 9TU TEL:0616 6202029

EMAIL:TECHNICAL@SAGITTARIUSTAPS.CO.UK