

# SAGITTARIUS

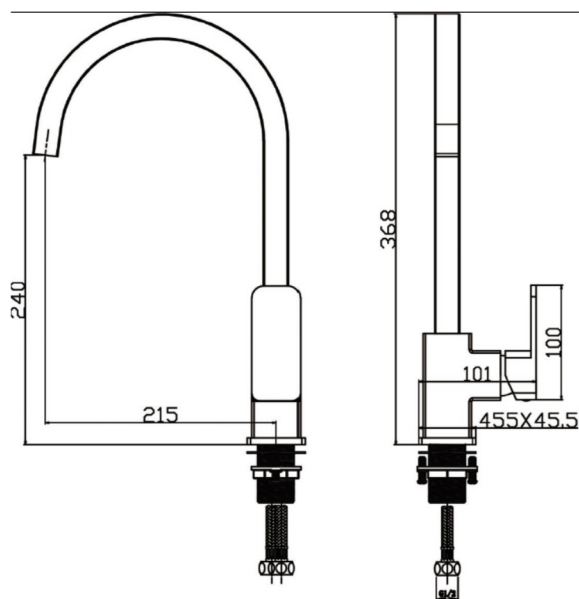
## TAPS & SHOWERING

<b>Construction</b>	Brass Body (CuZn40Pb18)
<b>Finishes</b>	Chrome plated to BS EN 248
<b>Product Type</b>	Contemporary
<b>Water Pressure</b>	Min. 0.2 bar, Max. 6.0 bar
<b>Plumbing Systems</b>	Suitable for all plumbing systems
<b>Standards</b>	Complies with BS5412, BS EN200
<b>Certification</b>	WRAS Approved
<b>Cartridge</b>	1/4 Turn 1/2" Ceramic Disc Valves
<b>Fitting</b>	M10 x 500mm flexible connection pipes
<b>Aerator</b>	Laminar
<b>Packaging</b>	59 x 47.5 x 27.5cm / carton (8 boxes / carton)
<b>Guarantee</b>	10 years against manufacturing faults (excluding serviceable parts).

MONACO MONOBLOCK

SINK MIXER CHROME

MO/154/C



### Flow Rates (Litres per minute)

System Pressure	0.1 Bar	0.2 Bar	0.3 Bar	0.5 Bar	1.0 Bar	1.5 Bar	2.0 Bar	3.0 Bar	4.0 Bar	5.0 Bar
MO/154/C		5.00	6.50	10.00	14.00		19.50	23.50		30.0

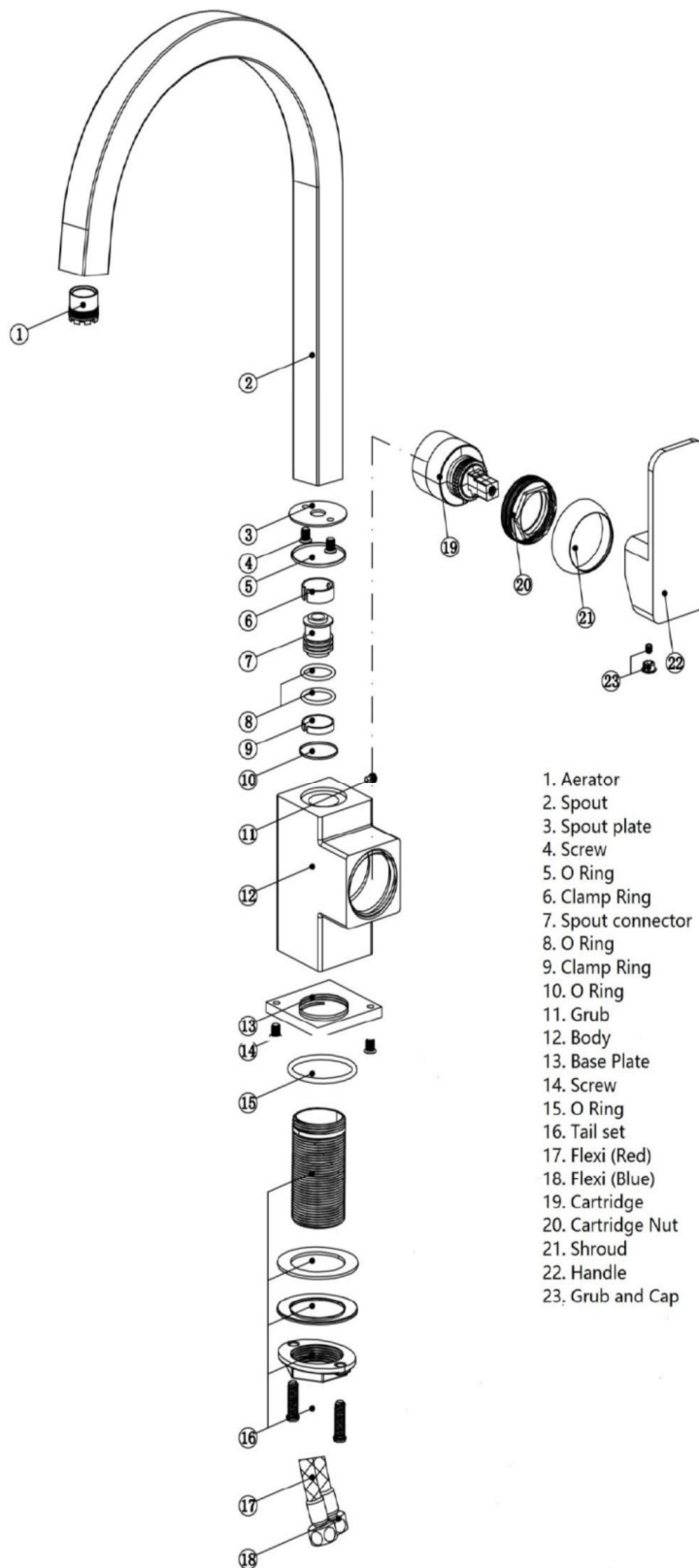
The information contained on this page was correct at the date of issue. Fitting dimensions are provided as a guide only. Some variation may occur due to manufacturing tolerances. We pursue a policy of continuing improvement in design and performance of our products and so reserve the right to change specifications without prior notice

FOR FURTHER ADVICE PLEASE CONTACT :-

SAGITTARIUS LTD UNIT 1 LOWER VICTORIA STREET—CHADDERTON—OLDHAM—OL9 9TU TEL:0616 6202029

EMAIL:TECHNICAL@SAGITTARIUSTAPS.CO.UK

# Exploded parts drawing of the MO/154/C



- 1. Aerator
- 2. Spout
- 3. Spout plate
- 4. Screw
- 5. O Ring
- 6. Clamp Ring
- 7. Spout connector
- 8. O Ring
- 9. Clamp Ring
- 10. O Ring
- 11. Grub
- 12. Body
- 13. Base Plate
- 14. Screw
- 15. O Ring
- 16. Tail set
- 17. Flexi (Red)
- 18. Flexi (Blue)
- 19. Cartridge
- 20. Cartridge Nut
- 21. Shroud
- 22. Handle
- 23. Grub and Cap

The information contained on this page was correct at the date of issue. Fitting dimensions are provided as a guide only. Some variation may occur due to manufacturing tolerances. We pursue a policy of continuing improvement in design and performance of our products and so reserve the right to change specifications without prior notice

FOR FURTHER ADVICE PLEASE CONTACT :-  
 SAGITTARIUS LTD UNIT 1 LOWER VICTORIA STREET—CHADDERTON—OLDHAM—OL9 9TU TEL:0616 6202029  
 EMAIL:TECHNICAL@SAGITTARIUSTAPS.CO.UK