

# SAGITTARIUS

## TAPS & SHOWERING

### LAVORARE MONO BLOC BASIN MIXER

LV/109

**Construction** Brass Body, Zinc alloy Handle

**Finishes** Chrome (Ni : 8-12um, Cr : 0.25-0.3um)

**Product Type** Contemporary

**Water Pressure Tested Between** Min. 0.2 bar, Max. 6.0 bar

**Standards** Complies with BS6920, BS EN200

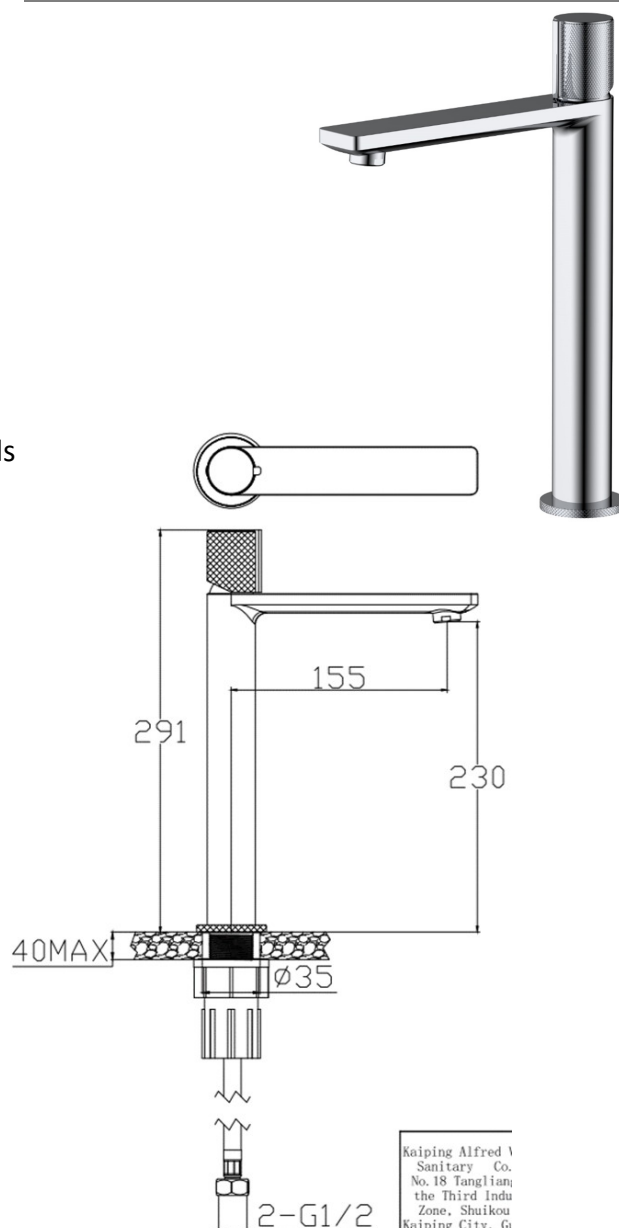
**Cartridge** CITEC 35mm Ceramic Disc Cartridge

**Aerator** Spout Aerator

**Fitting** UK: M10 x 350mm G½" BSP Female Flexi Tails  
EU: M10 x 350mm G3/8" BSP Female Flexi Tails

**Guarantee** 10 years against manufacturing faults (excluding serviceable parts)

**Operating Water Pressure**



The information contained on this page was correct at the date of issue. Fitting dimensions are provided as a guide only. Some variation may occur due to manufacturing tolerances. We pursue a policy of continuing improvement in design and performance of our products and so reserve the right to change specifications without prior notice

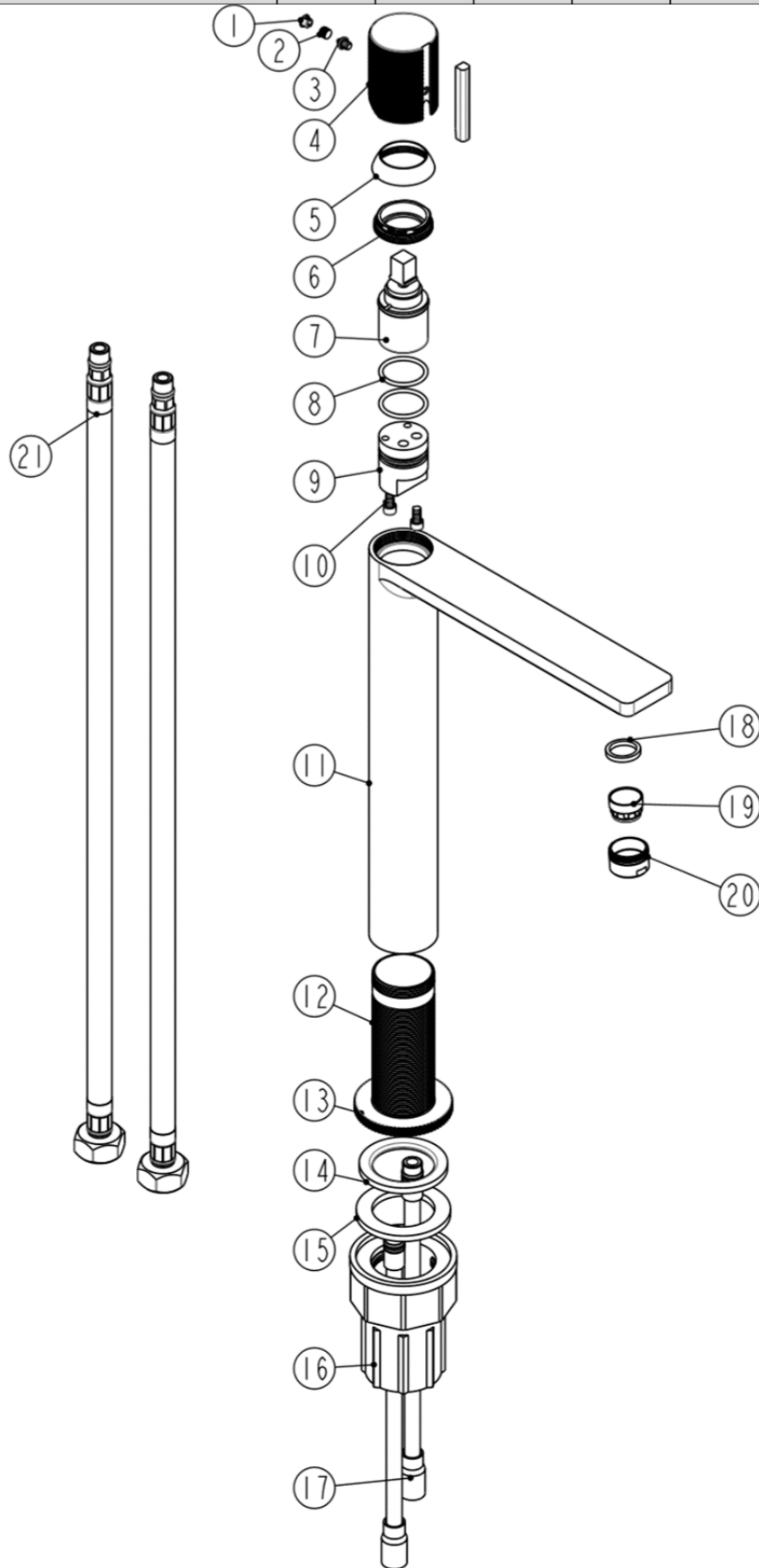
FOR FURTHER ADVICE PLEASE CONTACT :-

SAGITTARIUS LTD UNIT 1 LOWER VICTORIA STREET—CHADDERTON—OLDHAM—OL9 9TU TEL:0616 6202029

EMAIL:TECHNICAL@SAGITTARIUSTAPS.CO.UK

**Flow Rates (Litres per minute)**

System Pressure	0.1 Bar	0.2 Bar	0.3 Bar	0.5 Bar	1.0 Bar	1.5 Bar	2.0 Bar	3.0 Bar	4.0 Bar	5.0 Bar
	1.9	2.7	-	4.1	5.7	-	8.1	9.9	-	12.8



NO.	PART	QTY
1	COVER CAP	1
2	M5*5 GRUB SCREW	1
3	M5*8 GRUB SCREW	1
4	HANDLE	1
5	COLLAR	1
6	CATRIDGE NUT	1
7	CARTRIDGE	1
8	25*2 O-RING	1
9	CARTRIDGE SEAT	1
10	M5*8 GRUB SCREW	1
11	TAP BODY	1
12	BSP TAIL	1
13	BASE PLATE	1
14	NBR WASHER	1
15	NBR WASHER	1
16	M32 LOCK NUT	1
17	INLET PIPES	2
18	NBR WASHER	1
19	AERATOR	1
20	AERATOR CASING	1
21	FLEXI-TAILS	2

FOR FURTHER ADVICE PLEASE CONTACT :-

SAGITTARIUS LTD UNIT 1 LOWER VICTORIA STREET—CHADDERTON—OLDHAM—OL9 9TU TEL:0616 6202029

EMAIL:TECHNICAL@SAGITTARIUSTAPS.CO.UK