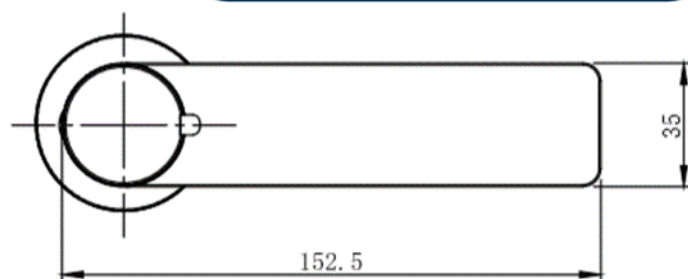
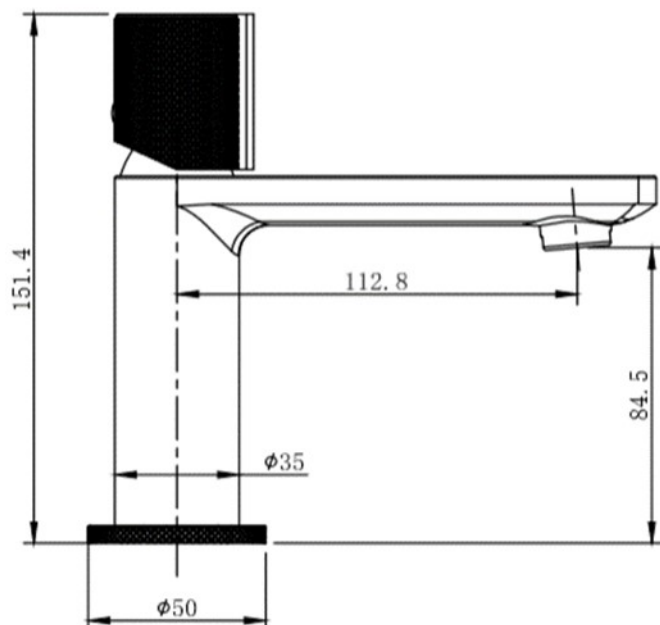


# SAGITTARIUS

## TAPS & SHOWERING

<b>Construction</b>	Brass Body (CuZn40Pb2), EN CW617N (equivalent to BS CZ122) Zinc alloy Handle
<b>Finishes</b>	Chrome (Ni : 8-12um, Cr : 0.25-0.3um)
<b>Product Type</b>	Contemporary
<b>Water Pressure Tested Between</b>	Min. 0.5 bar, Max. 6.0 bar
<b>Standards Certification</b>	Complies with BS6920, BS EN200 WRAS approved and certified
<b>Cartridge</b>	CITEC 35mm Ceramic Disc Cartridge
<b>Aerator</b>	Spout Aerator
<b>Fitting</b>	UK: M10 x 350mm ½" BSP Female Flexi Tails EU: M10 x 350mm 3/8" BSP Female Flexi Tails
<b>Guarantee</b>	10 years against manufacturing faults (excluding serviceable parts)
<b>Additional Information</b>	Supplied with G1¼" sprung waste (UK only)

**LAVORARE MONOBLOC**  
**BASIN MIXER CHROME**  
**LV/106/C**



The information contained on this page was correct at the date of issue. Fitting dimensions are provided as a guide only. Some variation may occur due to manufacturing tolerances. We pursue a policy of continuing improvement in design and performance of our products and so reserve the right to change specifications without prior notice

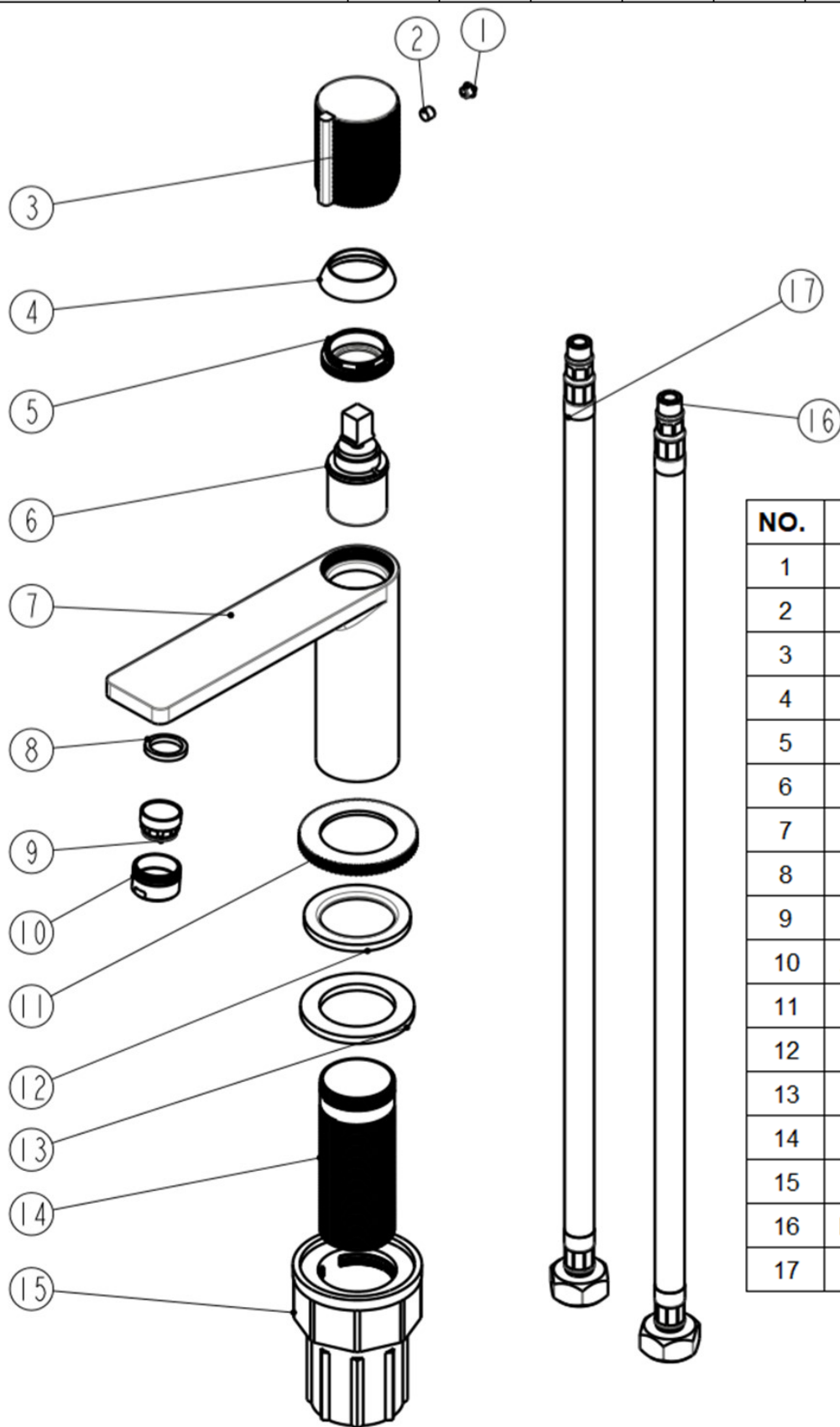
FOR FURTHER ADVICE PLEASE CONTACT :-

SAGITTARIUS LTD UNIT 1 LOWER VICTORIA STREET—CHADDERTON—OLDHAM—OL9 9TU TEL:0616 6202029

EMAIL:TECHNICAL@SAGITTARIUSTAPS.CO.UK

**Flow Rates** (Litres per minute)

System Pressure	0.2 Bar	0.3 Bar	0.5 Bar	1.0 Bar	1.5 Bar	2.0 Bar	3.0 Bar	4.0 Bar	5.0 Bar
	2.9	-	4.4	6.0	-	8.5	10.4	-	13.4



NO.	PART	QTY
1	COVER CAP	1
2	GRUB SCREW	1
3	HANDLE	1
4	COLLAR	1
5	CATRIDGE NUT	1
6	CARTRIDGE	1
7	TAP BODY	1
8	WASHER	1
9	AERATOR	1
10	AERATOR CASING	1
11	BASE PLATE	1
12	WASHER	1
13	WASHER	1
14	BSP TAIL	1
15	LOCK NUT	1
16	FLEXI-TAIL (COLD)	1
17	FLEXI-TAIL (HOT)	1

FOR FURTHER ADVICE PLEASE CONTACT :-

SAGITTARIUS LTD UNIT 1 LOWER VICTORIA STREET—CHADDERTON—OLDHAM—OL9 9TU TEL:0616 6202029

EMAIL:TECHNICAL@SAGITTARIUSTAPS.CO.UK