

# SAGITTARIUS

## TAPS & SHOWERING

<b>Construction</b>	Brass Body, Zinc alloy Handle
<b>Finishes</b>	Chrome (Ni : 8-12um, Cr : 0.25-0.3um)
<b>Product Type</b>	Contemporary
<b>Water Pressure Tested Between</b>	Min. 0.2 bar, Max. 6.0 bar
<b>Standards</b>	Complies with BS5412, BS EN200
<b>Cartridge</b>	1/4 Turn 3/4" Ceramic Disc Valves
<b>Aerator</b>	Neoperl Spout Aerator
<b>Fitting</b>	Brass G $\frac{3}{4}$ " BSP tails
<b>Guarantee</b>	10 years against manufacturing faults

### LAVORARE DECK MOUNT- ED BATH SHOWER MIXER LV/105



**Additional Information** Supplied with Chrome , ABS Shower handset & holder and Smooth PVC ,

#### Operating Water Pressure



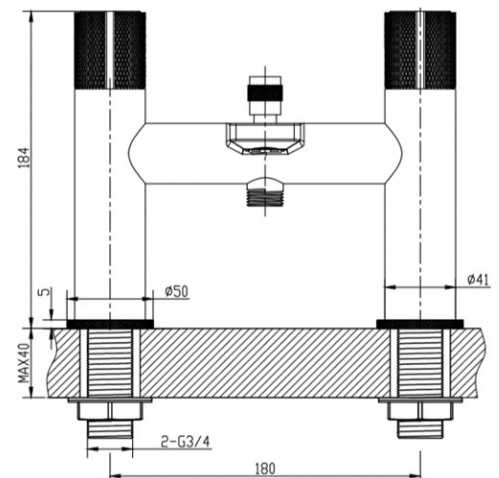
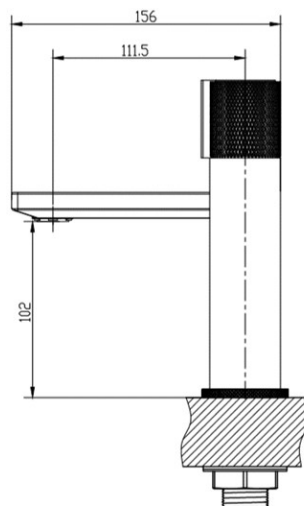
**LOW PRESSURE**  
0.2 - 0.5 bar



**COMBI BOILER**



**HIGH PRESSURE**  
1.2 - 1.5+ bar



The information contained on this page was correct at the date of issue. Fitting dimensions are provided as a guide only. Some variation may occur due to manufacturing tolerances. We pursue a policy of continuing improvement in design and performance of our products and so reserve the right to change specifications without prior notice

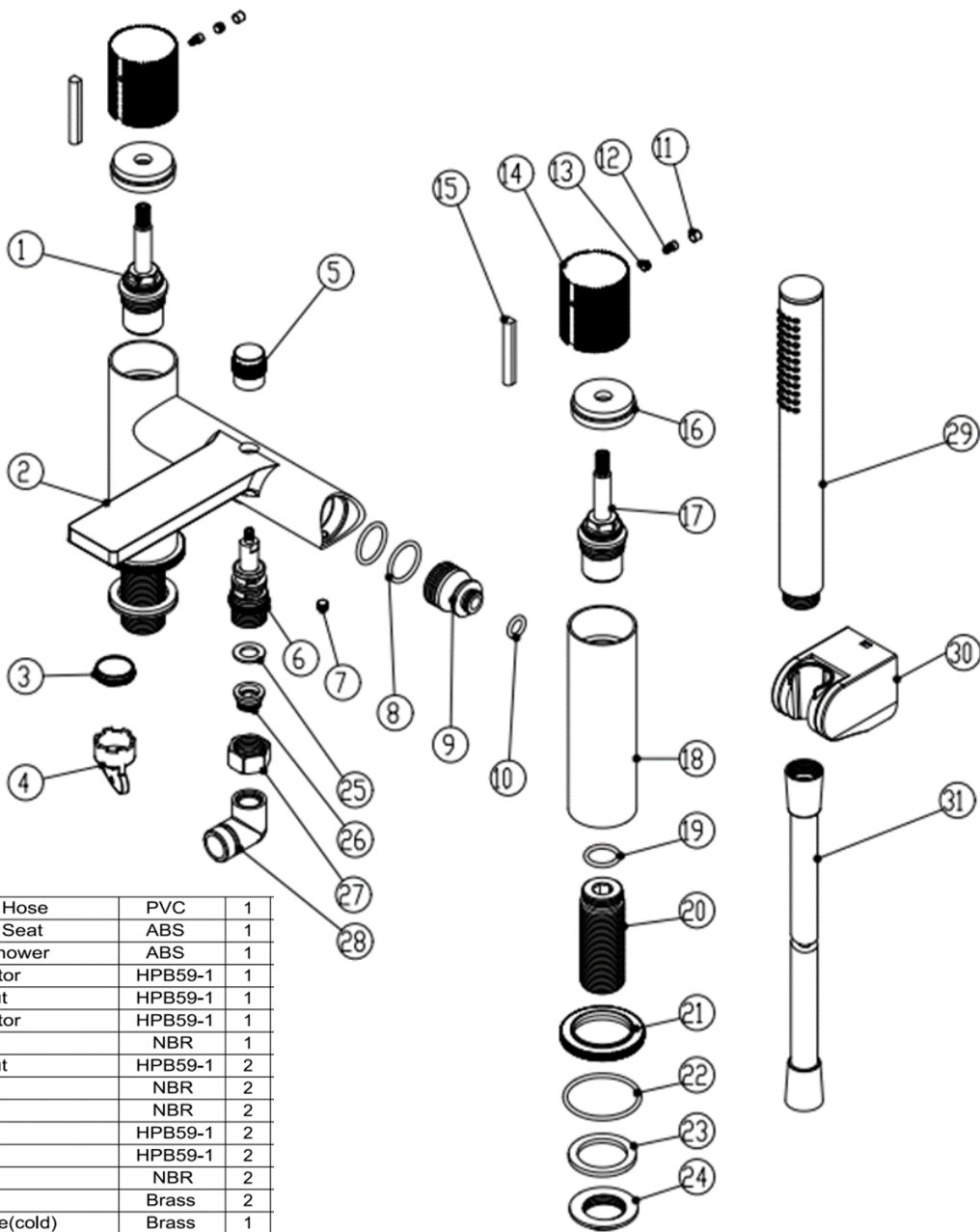
FOR FURTHER ADVICE PLEASE CONTACT :-

SAGITTARIUS LTD UNIT 1 LOWER VICTORIA STREET—CHADDERTON—OLDHAM—OL9 9TU TEL:0616 6202029

EMAIL:TECHNICAL@SAGITTARIUSTAPS.CO.UK

**Flow Rates** (Litres per minute)

System Pressure	0.1 Bar	0.2 Bar	0.3 Bar	0.5 Bar	1.0 Bar	1.5 Bar	2.0 Bar	3.0 Bar	4.0 Bar	5.0 Bar
Spout	6.35	8.50	10.24	12.95	18.27	22.39	25.86	31.39	36.54	-
Handset	7.90	10.47	12.85	16.40	22.42	27.60	31.27	38.34	44.24	-



31	Shower Hose	PVC	1
30	Shower Seat	ABS	1
29	Hand Shower	ABS	1
28	Connector	HPB59-1	1
27	Lock Nut	HPB59-1	1
26	Connector	HPB59-1	1
25	Gasket	NBR	1
24	Lock Nut	HPB59-1	2
23	Gasket	NBR	2
22	O-Ring	NBR	2
21	Base	HPB59-1	2
20	Tube	HPB59-1	2
19	O-Ring	NBR	2
18	Body	Brass	2
17	Cartridge(cold)	Brass	1
16	Seating Sleeve	Plastic	2
15	Handle Lever	HPB59-1	2
14	Handle Body	HPB59-1	2
13	Hexagon Socket Screw	S.S	2
12	Screw	S.S	2
11	Button	NBR	2
10	O-Ring	NBR	2
9	Connector	HPB59-1	2
8	O-Ring	NBR	4
7	Hexagon Socket Screw	S.S	2
6	Divertor valve	Brass	1
5	Rivet Nut	HPB59-1	1
4	Wrench	ABS	1
3	Aerator	ABS	1
2	Spout	Brass	1
1	Cartridge(hot)	Brass	1
NO.	DESCRIPTION	MATERIAL	QTY

FOR FURTHER ADVICE PLEASE CONTACT :-

SAGITTARIUS LTD UNIT 1 LOWER VICTORIA STREET—CHADDERTON—OLDHAM—OL9 9TU TEL:0616 6202029

EMAIL:TECHNICAL@SAGITTARIUSTAPS.CO.UK