

SAGITTARIUS

TAPS & SHOWERING

Construction	Brass Body, Zinc alloy Handle
Finishes	Chrome (Ni : 8-12um, Cr : 0.25-0.3um)
Product Type	Contemporary
Water Pressure Tested Between Standards	Min. 0.2 bar, Max. 6.0 bar Complies with BS5412, BS EN200
Cartridge	1/4 Turn 3/4" Ceramic Disc Valves
Aerator	Neoperl Spout Aerator
Fitting	Brass G ³ / ₄ " BSP tails
Guarantee	10 years against manufacturing faults (excluding serviceable parts)

LAVORARE DECK MOUNTED BATH FILLER LV/104



Operating Water Pressure



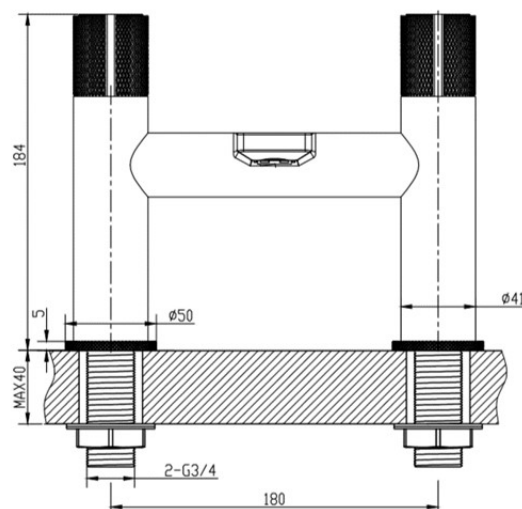
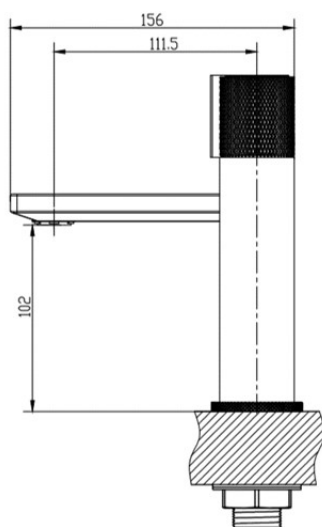
LOW PRESSURE
0.2-0.5 bar



COMBI BOILER



HIGH PRESSURE
1.2-1.5+ bar



The information contained on this page was correct at the date of issue. Fitting dimensions are provided as a guide only. Some variation may occur due to manufacturing tolerances. We pursue a policy of continuing improvement in design and performance of our products and so reserve the right to change specifications without prior notice

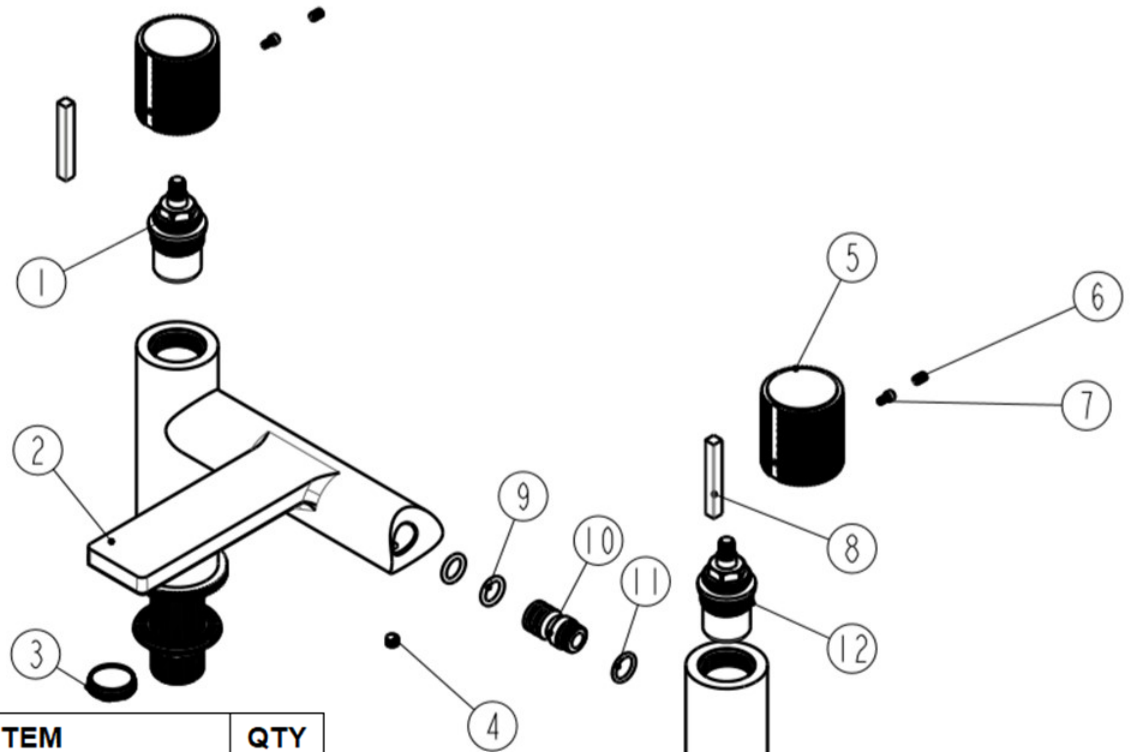
FOR FURTHER ADVICE PLEASE CONTACT :-

SAGITTARIUS LTD UNIT 1 LOWER VICTORIA STREET—CHADDERTON—OLDHAM—OL9 9TU TEL:0616 6202029

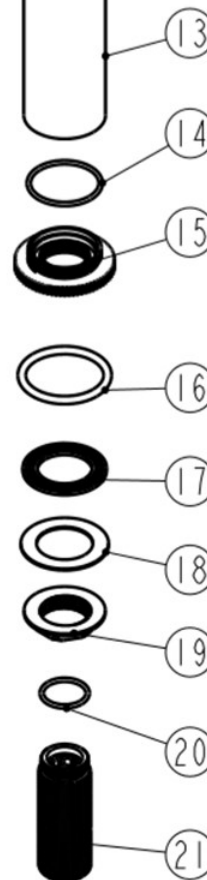
EMAIL:TECHNICAL@SAGITTARIUSTAPS.CO.UK

Flow Rates (Litres per minute)

System Pressure	0.1 Bar	0.2 Bar	0.3 Bar	0.5 Bar	1.0 Bar	1.5 Bar	2.0 Bar	3.0 Bar	4.0 Bar	5.0 Bar
	7.5	10.0	12.0	15.4	21.6	26.4	30.5	37.4	43.3	-



NO.	ITEM	QTY
1	G 3/4" HOT CARTRIDGE	1
2	TAP BODY	1
3	AERATOR	1
4	M6*5 GRUB SCREW	2
5	HANDLE	2
6	M4*7.6 GRUB SCREW	2
7	M3*6 GRUB SCREW	2
8	HANDLE SLIT	2
9	Φ16*2.5 NBR O-RING	2
10	CONNECTOR	2
11	Φ16*2 NBR O-RING	2
12	G 3/4" COLD CARTRIDGE	1
13	CARTRIDGE PILLAR	2
14	Φ38*2 NBR O-RING	2
15	BASE PLATE	2
16	Φ47*4 NBR O-RING	2
17	Φ42*Φ27.5*2.2 NBR WASHER	2
18	Φ44*Φ28.3*1 SS WASHER	2
19	G 3/4" LOCK NUT	2
20	Φ25*2 NBR O-RING	2
21	G 3/4" BSP TAILS	2



FOR FURTHER ADVICE PLEASE CONTACT :-

SAGITTARIUS LTD UNIT 1 LOWER VICTORIA STREET—CHADDERTON—OLDHAM—OL9 9TU TEL:0616 6202029

EMAIL:TECHNICAL@SAGITTARIUSTAPS.CO.UK