

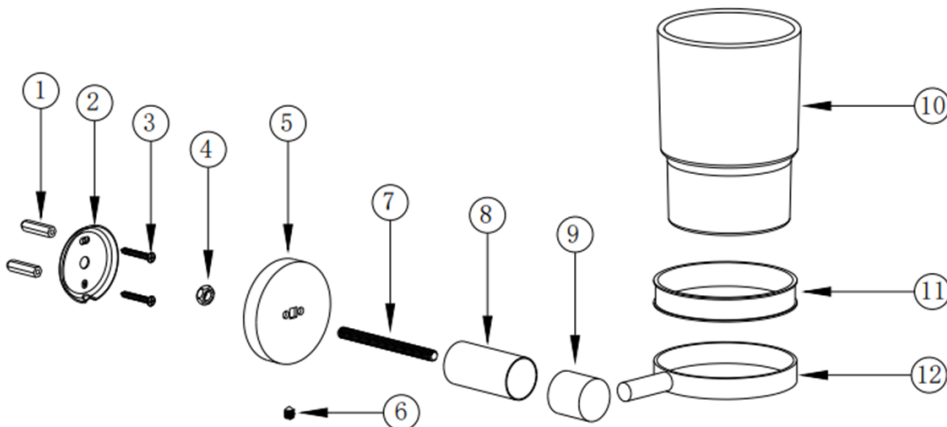
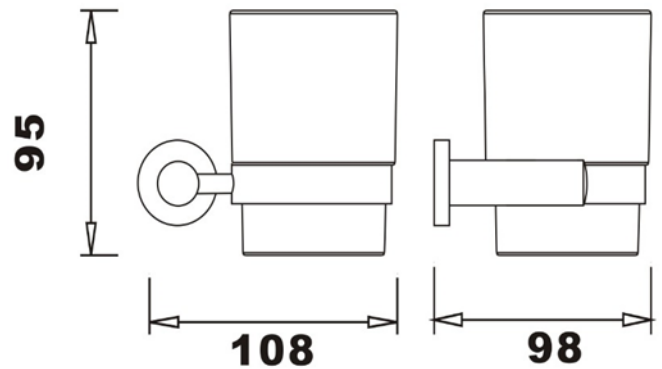
# SAGITTARIUS

## TAPS & SHOWERING

**Construction** Brass, Ceramic, Stainless Steel  
**Finishes** Chrome plated  
**Product Type** Contemporary  
**Guarantee** 5 years against manufacturing faults (excluding Ceramic or Glass parts)

### LUCCA TUMBLER HOLDER

LUA/722



NO.	DESCRIPTION	QTY
1-4	FITTING KIT	1
5	COVER PLATE	1
6	CAP	1
7	SCREW	1
8	EXTENSION LEVER	1
9	LOCK CAP	1
10	CUP	1
11-12	CUP HOLDER	1

The information contained on this page was correct at the date of issue. Fitting dimensions are provided as a guide only. Some variation may occur due to manufacturing tolerances. We pursue a policy of continuing improvement in design and performance of our products and so reserve the right to change specifications without prior notice

FOR FURTHER ADVICE PLEASE CONTACT :-

SAGITTARIUS LTD UNIT 1 LOWER VICTORIA STREET—CHADDERTON—OLDHAM—OL9 9TU TEL:0616 6202029

EMAIL:TECHNICAL@SAGITTARIUSTAPS.CO.UK