

# SAGITTARIUS

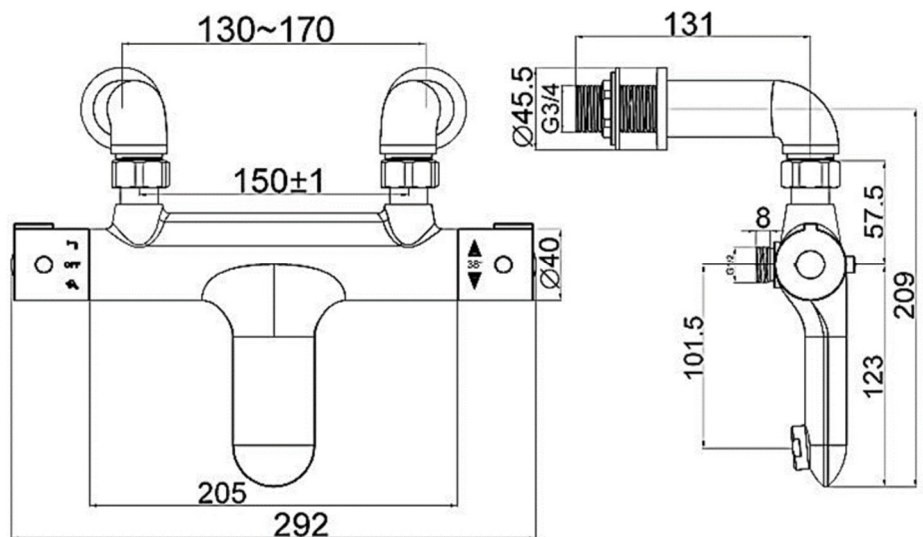
## TAPS & SHOWERING

<b>Construction</b>	Brass Body CuZn40Pb2, EN CW617N (equivalent to BS CZ122) Zinc alloy Handle
<b>Finishes</b>	Chrome : Ni : 8-12um, Cr : 0.25-0.3um
<b>Product Type</b>	Contemporary
<b>Water Pressure</b>	Min.0.5 bar, Max. 6.0 bar
<b>Plumbing Systems</b>	Suitable for all plumbing systems
<b>Standards</b>	Complies with BS5412, BS EN200
<b>Certification</b>	-
<b>Cartridge</b>	Thermostatic, Integrate diverter ceramic valve
<b>Check valve</b>	Neoperl
<b>Aerator</b>	Neoperl Aerator
<b>Fitting</b>	¼" BSP deck mounted pillars
<b>Packaging</b>	53 x 35 x 35cm / carton (8 boxes / carton)
<b>Guarantee</b>	10 years against manufacturing faults (excluding serviceable parts)
<b>Additional Information</b>	1. Temperature : Pre-set 38°C, with push button override to 48°C. 2. Automatic shut off in the event of hot or cold water supply failure.

LOGIC DECK MOUNTED

THERMOS MIXER CHROME

LO/198/C



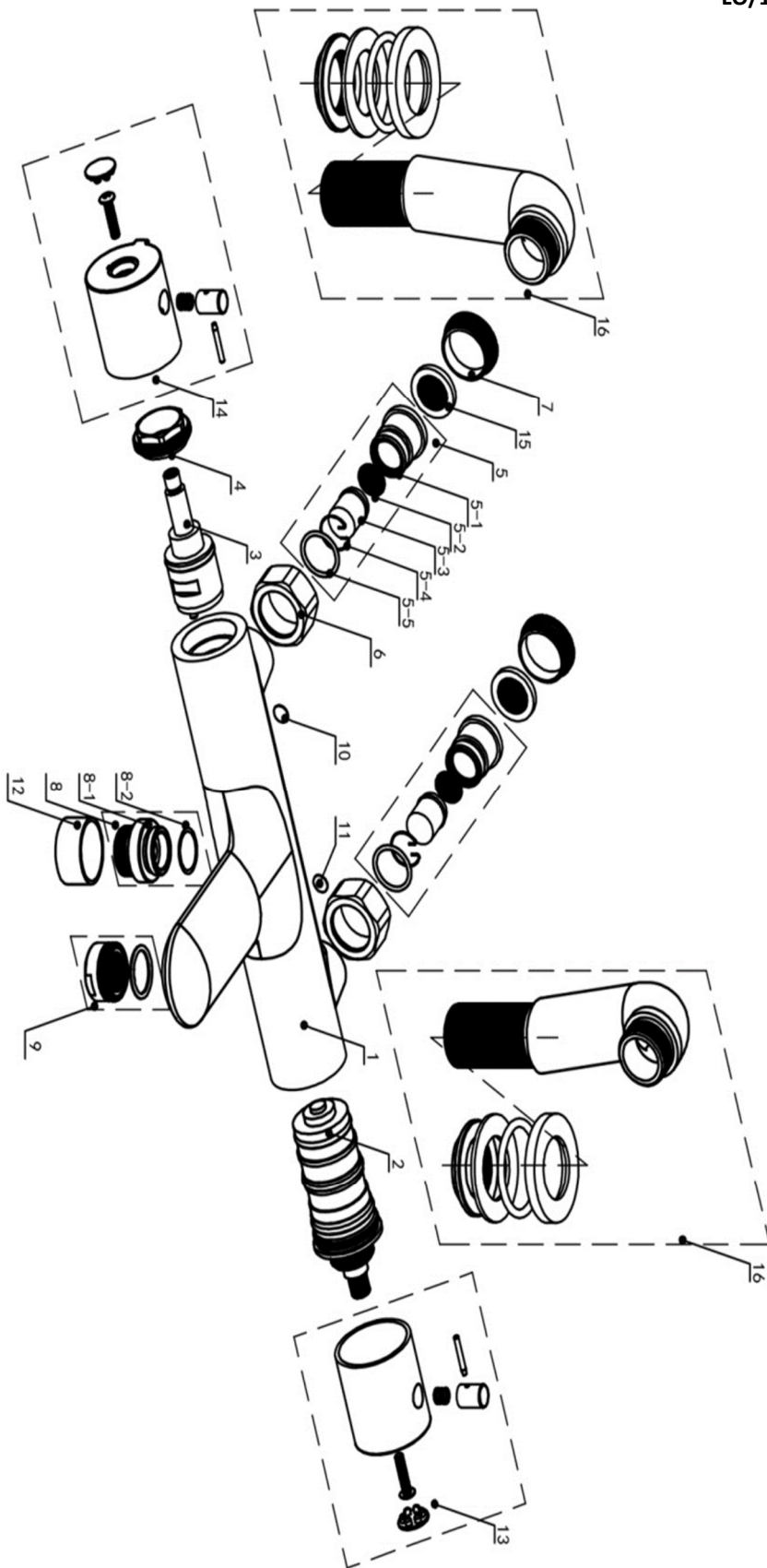
### Flow Rates (Litres per minute)

System Pressure spout/shower head	0.1 Bar	0.2 Bar	0.3 Bar	0.5 Bar	1.0 Bar	1.5 Bar	2.0 Bar	3.0 Bar	4.0 Bar	5.0 Bar
LO/198/C	-	-	-	7.6	11.3	13.9	16.1	19.9	22.9	25.5

The information contained on this page was correct at the date of issue. Fitting dimensions are provided as a guide only. Some variation may occur due to manufacturing tolerances. We pursue a policy of continuing improvement in design and performance of our products and so reserve the right to change specifications without prior notice

FOR FURTHER ADVICE PLEASE CONTACT :-  
SAGITTARIUS LTD UNIT 1 LOWER VICTORIA STREET—CHADDERTON—OLDHAM—OL9 9TU TEL:0616 6202029  
EMAIL:TECHNICAL@SAGITTARIUSTAPS.CO.UK

LO/198/C EXPLOADED PARTS



16	ELBOW-CONNECTORS	2
15	MESH	2
14	ON-OFF-HANDLE	1
13	THERMO-HANDLE	1
12	COVER	1
11	BLUE-STICKER	1
10	RED-STICKER	1
9	AERATOR	1
8-2	O-RING	1
8-1	G1/2-CONNECTOR	1
8	CONNECTOR	1
7	CONNECTOR	2
6	NUT	2
5-5	O-RING	2
5-4	CLAMP-RING	2
5-3	CHECK-VALVE	2
5-2	FILTER	2
5-1	CONNECTOR	2
5	INLET-CONNECTIONS	2
4	CARTRIDGE-NUT	1
3	FLOW-CARTRIDGE	1
2	THERMO-CARTRIDGE	1
1	BODY	1
NO	NAME	QTY

The information contained on this page was correct at the date of issue. Fitting dimensions are provided as a guide only. Some variation may occur due to manufacturing tolerances. We pursue a policy of continuing improvement in design and performance of our products and so reserve the right to change specifications without prior notice

FOR FURTHER ADVICE PLEASE CONTACT :-  
 SAGITTARIUS LTD UNIT 1 LOWER VICTORIA STREET—CHADDERTON—OLDHAM—OL9 9TU TEL:0616 6202029  
 EMAIL:TECHNICAL@SAGITTARIUSTAPS.CO.UK