

SAGITTARIUS

TAPS & SHOWERING

Construction	Brass Body, Zinc-alloy Handle
Finishes	Chrome plated
Product Type	Contemporary
Water Pressure Tested Between Standards	Min. 0.2 bar (handset) 0.2 bar (spout), Max. 6.0 bar Complies with BS5412, BS EN200
Cartridge	35mm Ceramic disc valve
Aerator	Spout aerator
Fitting	Brass G3/4" BSP tails
Guarantee	10 years against manufacturing faults

LIVORNO DECK

MOUNTED 3 HOLE BATH

SHOWER MIXER

LI/112

- Additional Information**
1. Shower handset : Chrome , ABS ,
Select button 3 modes
 2. Handset holder : Chrome , zinc-
alloy , deck mounted
 3. Shower hose : Stainless steel , dou-
ble interlock 1.5m , G1/2" BSP connec-

Operating Water Pressure



The information contained on this page was correct at the date of issue. Fitting dimensions are provided as a guide only. Some variation may occur due to manufacturing tolerances. We pursue a policy of continuing improvement in design and performance of our products and so reserve the right to change specifications without prior notice

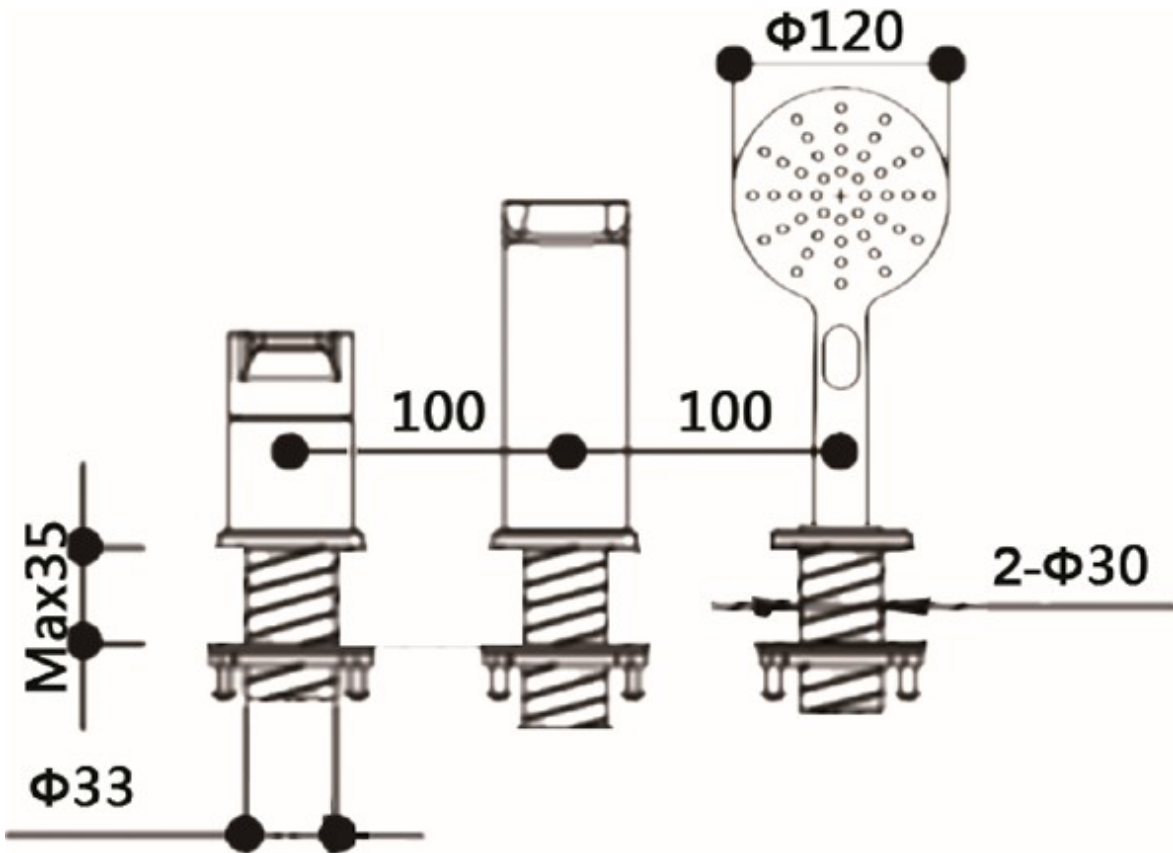
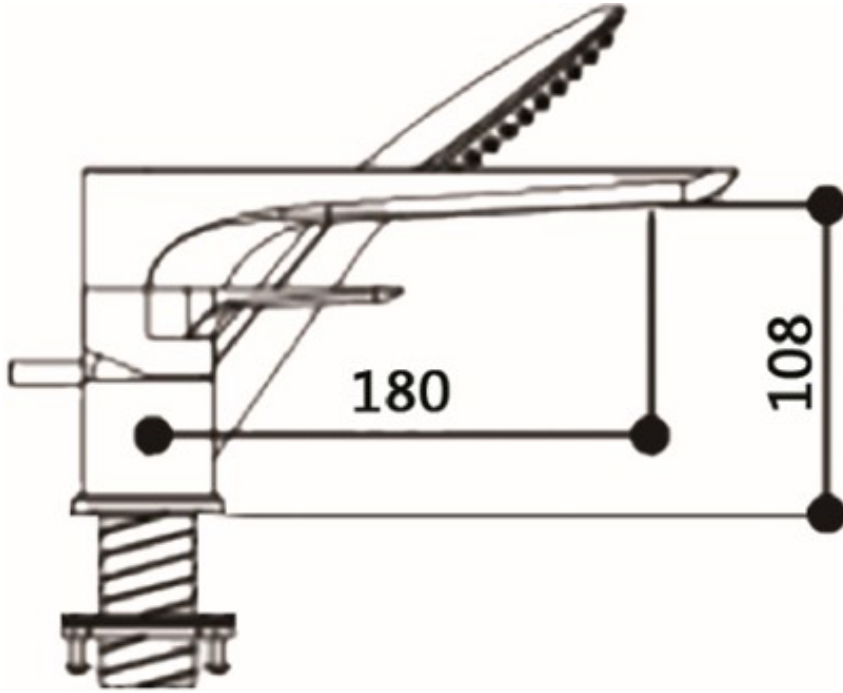
FOR FURTHER ADVICE PLEASE CONTACT :-

SAGITTARIUS LTD UNIT 1 LOWER VICTORIA STREET—CHADDERTON—OLDHAM—OL9 9TU TEL:0616 6202029

EMAIL:TECHNICAL@SAGITTARIUSTAPS.CO.UK

Flow Rates (Litres per minute)

System Pressure	0.1 Bar	0.2 Bar	0.3 Bar	0.5 Bar	1.0 Bar	1.5 Bar	2.0 Bar	3.0 Bar	4.0 Bar	5.0 Bar
Spout	-	7.5	-	8.2	9.5	10.8	12.5	16.0	-	-
Handset	-	6.0	-	6.3	6.8	8.2	9.8	11.8	-	-



FOR FURTHER ADVICE PLEASE CONTACT :-

SAGITTARIUS LTD UNIT 1 LOWER VICTORIA STREET—CHADDERTON—OLDHAM—OL9 9TU TEL:0616 6202029

EMAIL:TECHNICAL@SAGITTARIUSTAPS.CO.UK