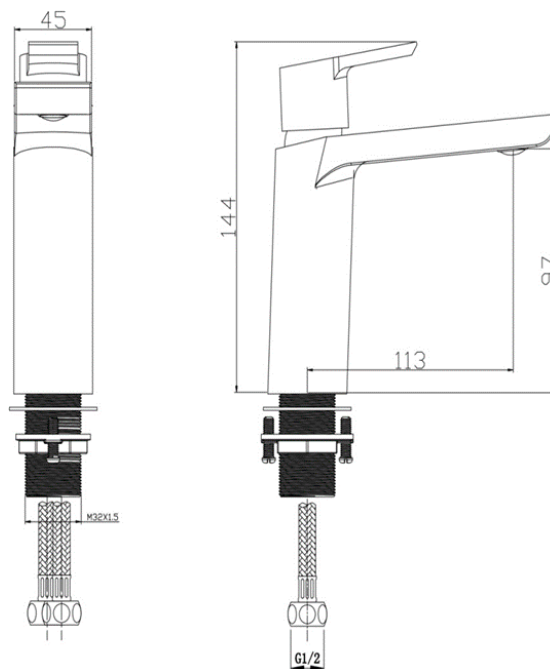


SAGITTARIUS

TAPS & SHOWERING

Construction	Brass Body, Zinc-alloy Handle
Finishes	Chrome Plated
Product Type	Contemporary
Water Pressure Tested Between Standards	Min. 0.2 bar, Max. 6.0 bar Complies with BS6920, BS EN200
Certification	Manufactured to comply with ACS
Cartridge	35mm Triduo® Ceramic disc cartridge
Aerator	Neoperl Adjustable Slim Aerator
Fitting	UK: M10 x 350mm G1/2" BSP Female Flexi Tails EU: M10 x 350mm G3/8" BSP Female Flexi Tails
Guarantee	10 years against manufacturing faults (excluding serviceable parts)
Additional Information	1. Supplied with G1¼" sprung waste (UK only) 2. Incorporates water saving feature : Triduo® Volume Limiter (Optional)

LIVORNO MONOBLOC BASIN MIXER LI/106



Operating Water Pressure



LOW PRESSURE
0.2 - 0.5 bar



COMBI BOILER



HIGH PRESSURE
1.2 - 1.5+ bar

The information contained on this page was correct at the date of issue. Fitting dimensions are provided as a guide only. Some variation may occur due to manufacturing tolerances. We pursue a policy of continuing improvement in design and performance of our products and so reserve the right to change specifications without prior notice

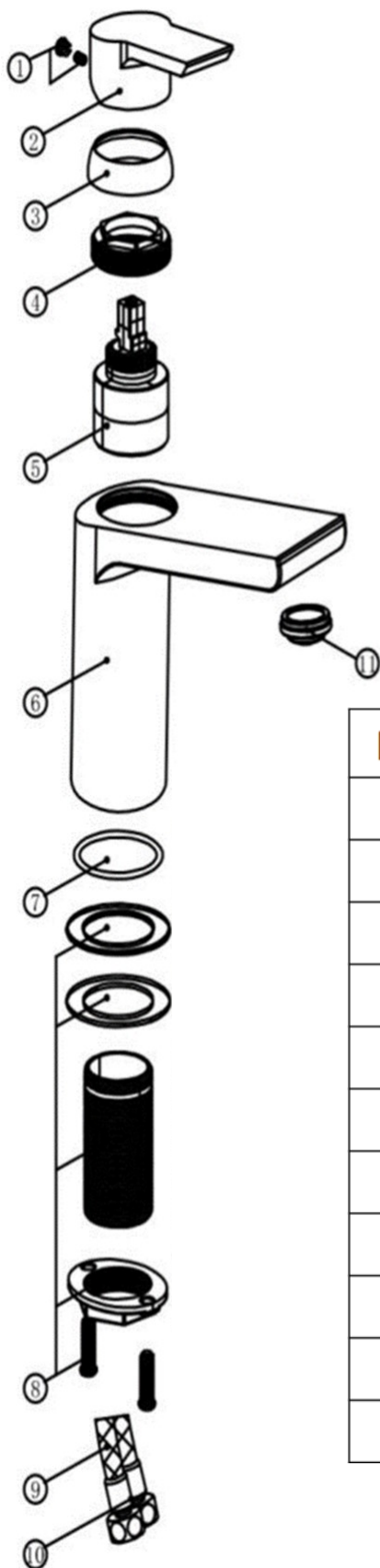
FOR FURTHER ADVICE PLEASE CONTACT :-

SAGITTARIUS LTD UNIT 1 LOWER VICTORIA STREET—CHADDERTON—OLDHAM—OL9 9TU TEL:0616 6202029

EMAIL:TECHNICAL@SAGITTARIUSTAPS.CO.UK

Flow Rates (Litres per minute)

System Pressure	0.1 Bar	0.2 Bar	0.3 Bar	0.5 Bar	1.0 Bar	1.5 Bar	2.0 Bar	3.0 Bar	4.0 Bar	5.0 Bar
	2.7	4.1	-	8.2	-	11.3	13.4	15.9	-	



NO.	DESCRIPTION	QTY
1	COVER CAP & GRUB SCREW	1
2	ZINC-ALLOY HANDLE	1
3	HANDLE COLLAR	1
4	BRASS CARTRIDGE NUT	1
5	35MM CERAMIC DISC VALVE	1
6	BRASS TAP BODY	1
7	NBR O-RING	1
8	FIXING TAIL SET	1
9	G1/2" BSP FLEXITAIL (HOT)	1
10	G1/2" BSP FLEXITAIL (COLD)	1
11	SPOUT AERATOR	1

FOR FURTHER ADVICE PLEASE CONTACT :-

SAGITTARIUS LTD UNIT 1 LOWER VICTORIA STREET—CHADDERTON—OLDHAM—OL9 9TU TEL:0616 6202029

EMAIL:TECHNICAL@SAGITTARIUSTAPS.CO.UK