

SAGITTARIUS

TAPS & SHOWERING

LIVORNO DECK MOUNTED BATH SHOWER MIXER LI/105

Construction	Brass Body, Zinc-alloy Handles
Finishes	Chrome (Ni : 8-12um, Cr : 0.25-0.3um)
Product Type	Contemporary
Water Pressure Tested Between Standards	Min. 0.5 bar, Max. 6.0 bar Complies with BS5412, BS EN200
Certification	Manufactured to comply with WRAS
Cartridge	1/4 Turn 3/4" Ceramic disc valves
Aerator	Spout aerator
Fitting	Brass G3/4" BSP tails
Guarantee	10 years against manufacturing faults (excluding serviceable parts)
Additional Information	<ol style="list-style-type: none">1. Shower handset : Chrome , ABS , single mode2. Handset holder : Chrome , ABS , wall mounted3. Shower hose : Chrome , Smooth ABS , 1.5m , G1/2" BSP connections4. Outlet elbow : Chrome , Brass , G1/2" BSP Female thread



Operating Water Pressure



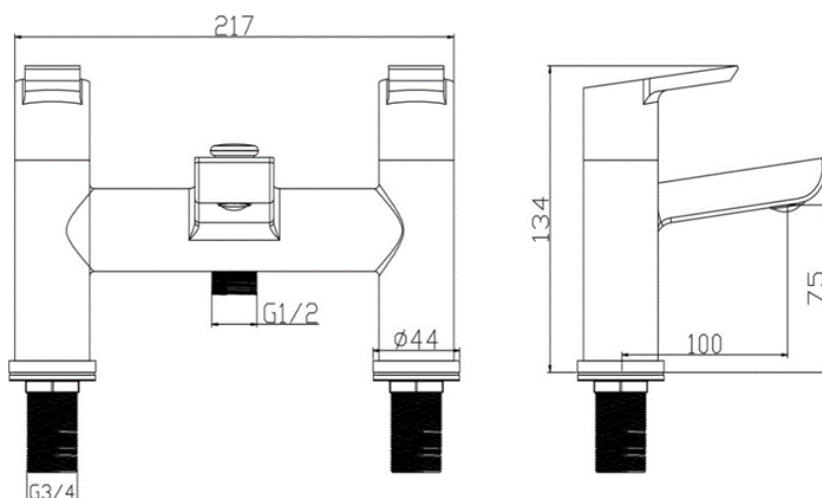
LOW PRESSURE
0.2 - 0.5 bar



COMBI BOILER



HIGH PRESSURE
1.2 - 1.5+ bar



The information contained on this page was correct at the date of issue. Fitting dimensions are provided as a guide only. Some variation may occur due to manufacturing tolerances. We pursue a policy of continuing improvement in design and performance of our products and so reserve the right to change specifications without prior notice

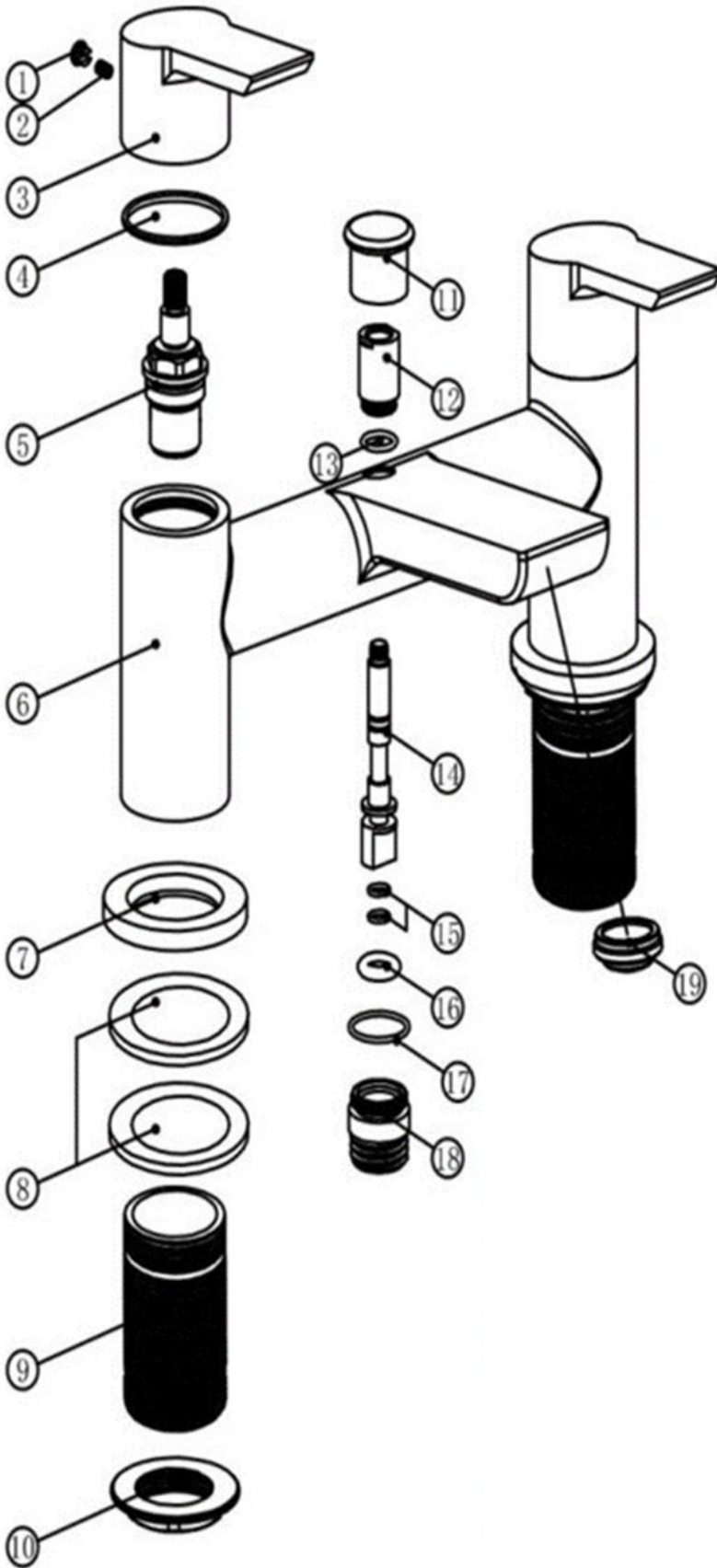
FOR FURTHER ADVICE PLEASE CONTACT :-

SAGITTARIUS LTD UNIT 1 LOWER VICTORIA STREET—CHADDERTON—OLDHAM—OL9 9TU TEL:0616 6202029

EMAIL:TECHNICAL@SAGITTARIUSTAPS.CO.UK

Flow Rates (Litres per minute)

System Pressure	0.1 Bar	0.2 Bar	0.3 Bar	0.5 Bar	1.0 Bar	1.5 Bar	2.0 Bar	3.0 Bar	4.0 Bar	5.0 Bar
	6.1	7.7	-	12.2	17.2	-	24.6	30.2	-	-



NO.	DESCRIPTION	QTY
1	CHROME COVER CAP	2
2	M4 HANDLE GRUB SCREW	2
3	ZINC-ALLOY HANDLE	2
4	HANDLE WASHER	2
5	3/4" CERAMIC DISC VALVE	2
6	BRASS TAP BODY	1
7	BASS PLATE	2
8	BASE PLATE WASHER	4
9	BRASS G3/4" BSP TAIL SET	2
10	BRASS LOCK NUT	2
11	DIVERTER CAP	1
12	DIVERTER CONNECTOR	1
13	NBR O-RING	1
14	BRASS DIVERTER ROD	1
15	DIVERTER NBR O-RING	2
16	DIVERTER WASHER	1
17	CONNECTOR NBR O-RING	1
18	G1/2 OUTLET CONNECTOR	1
19	SPOUT AERATOR	1

FOR FURTHER ADVICE PLEASE CONTACT :-

SAGITTARIUS LTD UNIT 1 LOWER VICTORIA STREET—CHADDERTON—OLDHAM—OL9 9TU TEL:0616 6202029

EMAIL:TECHNICAL@SAGITTARIUSTAPS.CO.UK