

SAGITTARIUS

TAPS & SHOWERING

| | |
|--|--|
| Construction | Brass Body, Zinc-alloy Handles |
| Finishes | Chrome Plating |
| Product Type | Contemporary |
| Water Pressure Tested Between Standards | Min. 0.2 bar, Max. 6.0 bar Complies with BS5412, BS EN200 |
| Certification | Manufactured to comply with ACS |
| Cartridge | 1/4 Turn 3/4" Ceramic disc valves |
| Aerator | Spout aerator |
| Packaging | 50 x 29.5 x 38cm / carton (4 boxes), Dimension: 28 x 24 x 18cm / box; Weight: 2.38Kg / box |
| Guarantee | 10 years against manufacturing faults (excluding serviceable parts) |

LIVORNO DECK MOUNTED BATH FILLER LI/104



Operating Water Pressure



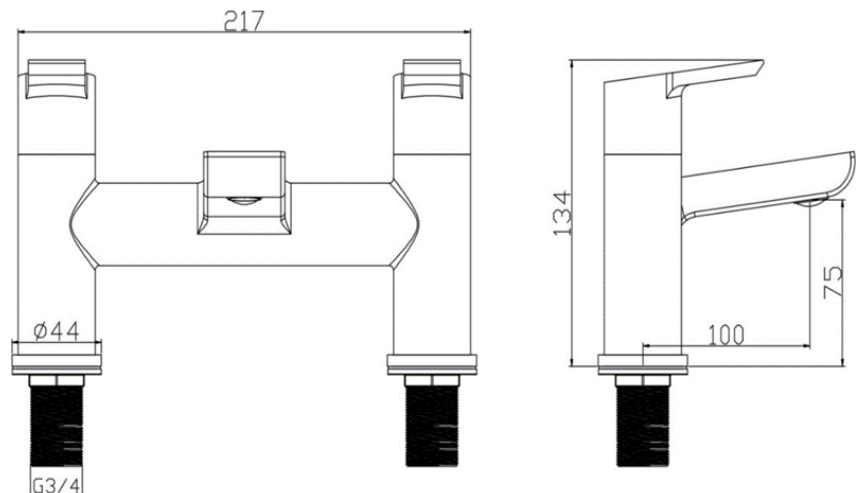
LOW PRESSURE
0.2-0.5 bar



COMBI BOILER



HIGH PRESSURE
1.2-1.5+ bar



The information contained on this page was correct at the date of issue. Fitting dimensions are provided as a guide only. Some variation may occur due to manufacturing tolerances. We pursue a policy of continuing improvement in design and performance of our products and so reserve the right to change specifications without prior notice

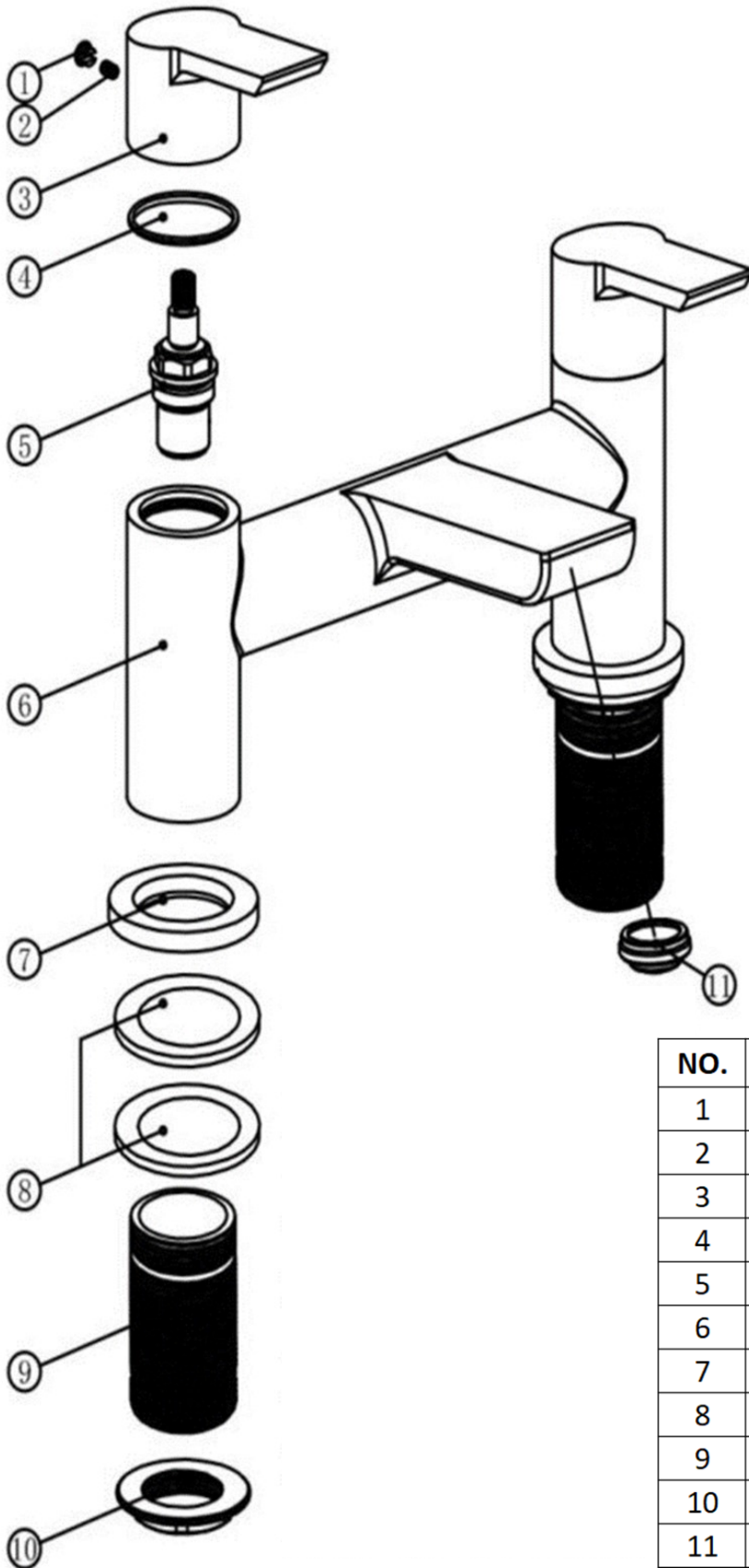
FOR FURTHER ADVICE PLEASE CONTACT :-

SAGITTARIUS LTD UNIT 1 LOWER VICTORIA STREET—CHADDERTON—OLDHAM—OL9 9TU TEL:0616 6202029

EMAIL:TECHNICAL@SAGITTARIUSTAPS.CO.UK

Flow Rates (Litres per minute)

| System Pressure | 0.1 Bar | 0.2 Bar | 0.3 Bar | 0.5 Bar | 1.0 Bar | 1.5 Bar | 2.0 Bar | 3.0 Bar | 4.0 Bar | 5.0 Bar |
|-----------------|---------|---------|---------|---------|---------|---------|---------|---------|---------|---------|
| | 6.4 | 8.6 | - | 15.1 | 20.6 | - | 26.5 | 33.0 | - | - |



| NO. | DESCRIPTION | QTY |
|-----|--------------------------|-----|
| 1 | CHROME COVER CAP | 2 |
| 2 | M4 HANDLE GRUB SCREW | 2 |
| 3 | ZINC-ALLOY HANDLE | 2 |
| 4 | HANDLE WASHER | 2 |
| 5 | 3/4" CERAMIC DISC VALVE | 2 |
| 6 | BRASS TAP BODY | 1 |
| 7 | BASS PLATE | 2 |
| 8 | BASE PLATE WASHER | 4 |
| 9 | BRASS G3/4" BSP TAIL SET | 2 |
| 10 | BRASS LOCK NUT | 2 |
| 11 | SPOUT AERATOR | 1 |

FOR FURTHER ADVICE PLEASE CONTACT :-

SAGITTARIUS LTD UNIT 1 LOWER VICTORIA STREET—CHADDERTON—OLDHAM—OL9 9TU TEL:0616 6202029

EMAIL:TECHNICAL@SAGITTARIUSTAPS.CO.UK