

SAGITTARIUS

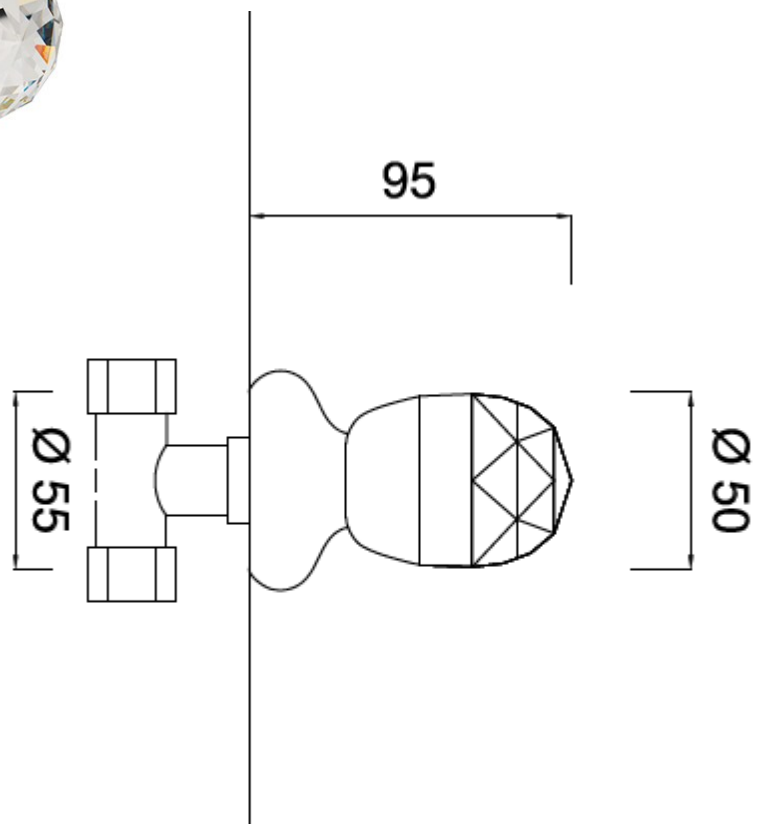
TAPS & SHOWERING

Construction:	Brass Body
Finishes:	Chrome
Water Pressure:	
Plumbing Systems:	Suitable for high pressured and combi boilers
Certificate:	Manufactured to comply with WRAS
Cartridge:	
Fitting:	M10 X 350MM 1/2"BSP Female Flexi Tails
Guarantee:	Guarantee: 10 years against manufacturing faults (excluding serviceable parts) when fitted by a registered plumber
Additional Information:	
Maintenance:	Clean with warm water and a soft cloth. Do not use harsh abrasives or other household cleaning products.

Liberty Crystal

1/2" WALL MOUNTED SIDE VALVES

LC/195/C



The information contained on this page was correct at the date of issue. Fitting dimensions are provided as a guide only. Some variation may occur due to manufacturing tolerances. We pursue a policy of continuing improvement in design and performance of our products and so reserve the right to change specifications without prior notice

FOR FURTHER ADVICE PLEASE CONTACT :-
SAGITTARIUS LTD UNIT 1 LOWER VICTORIA STREET—CHADDERTON—OLDHAM—OL9 9TU TEL:0616 6202029
EMAIL:TECHNICAL@SAGITTARIUSTAPS.CO.UK