

# SAGITTARIUS

## TAPS & SHOWERING

### LATINO BATH FILLER

LA/104

<b>Construction</b>	Brass Body, Zinc-alloy Handles & Base plates
<b>Finishes</b>	Chrome plated to BS EN 248
<b>Product Type</b>	Contemporary
<b>Water Pressure Tested Between Standards</b>	Min. 0.2 bar, Max. 6.0 bar
<b>Cartridge</b>	1/4 Turn 3/4" Ceramic disc valves
<b>Aerator</b>	M24*1 ABS Spout aerator
<b>Fitting</b>	Brass G3/4" BSP tails (Hot & Cold)
<b>Guarantee</b>	10 years against manufacturing faults (excluding serviceable parts)



#### Operating Water Pressure



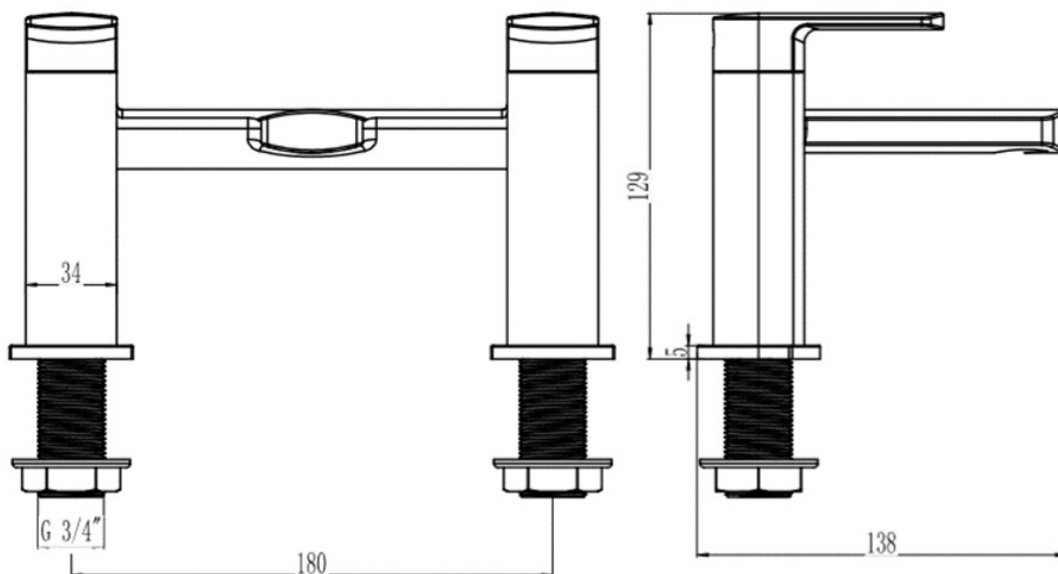
LOW PRESSURE  
0.2 - 0.5 bar



COMBI BOILER



HIGH PRESSURE  
1.2 - 1.5+ bar



The information contained on this page was correct at the date of issue. Fitting dimensions are provided as a guide only. Some variation may occur due to manufacturing tolerances. We pursue a policy of continuing improvement in design and performance of our products and so reserve the right to change specifications without prior notice

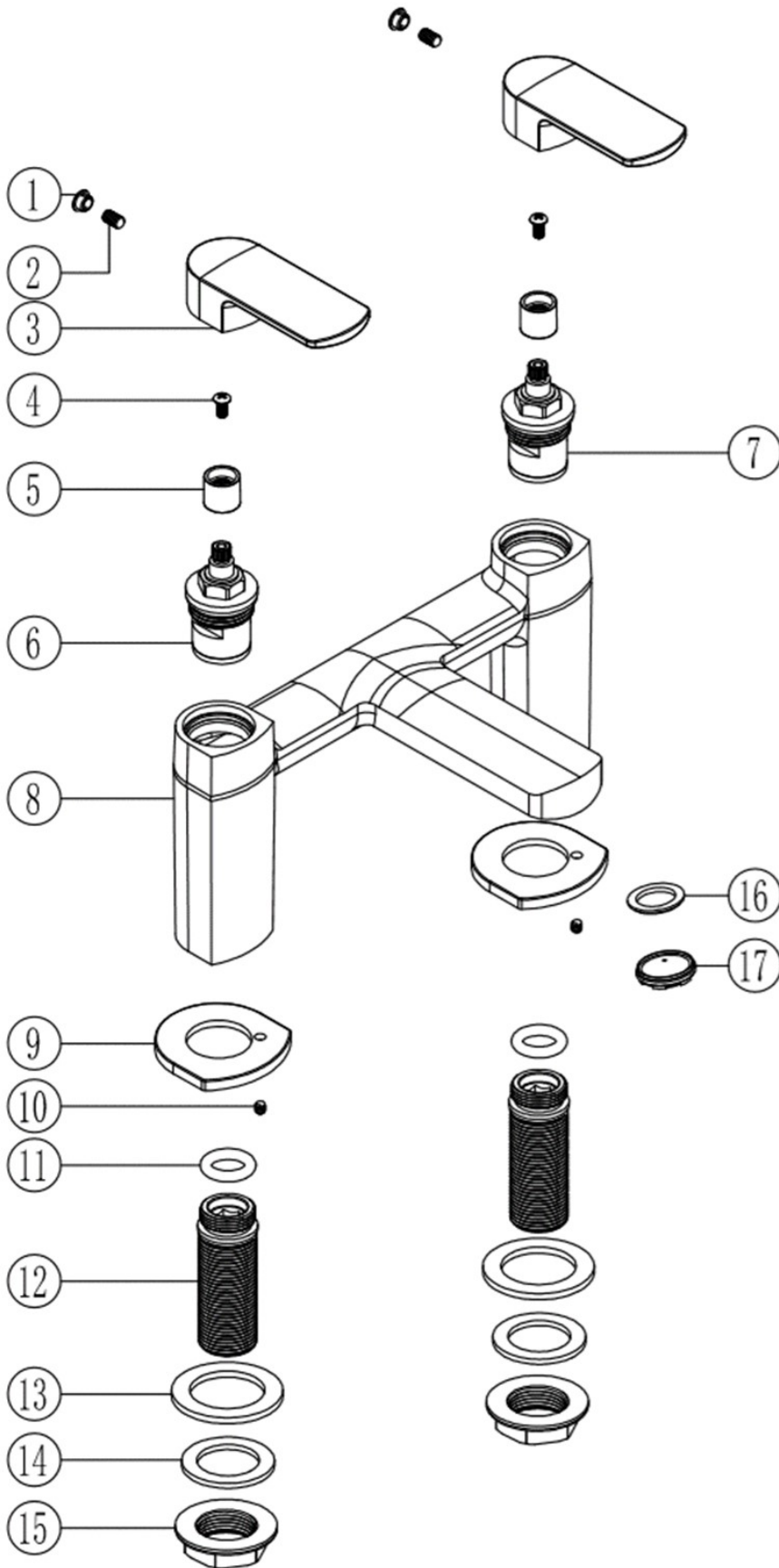
FOR FURTHER ADVICE PLEASE CONTACT :-

SAGITTARIUS LTD UNIT 1 LOWER VICTORIA STREET—CHADDERTON—OLDHAM—OL9 9TU TEL:0616 6202029

EMAIL:TECHNICAL@SAGITTARIUSTAPS.CO.UK

**Flow Rates** (Litres per minute)

System Pressure	0.1 Bar	0.2 Bar	0.3 Bar	0.5 Bar	1.0 Bar	1.5 Bar	2.0 Bar	3.0 Bar	4.0 Bar	5.0 Bar
	-	8.1	-	12.1	17.9	20.3	26.0	29.4	-	-



NO.	PARTS DESCRIPTION	QTY
1	PLASTIC COVER CAP	2
2	S/S HANDLE GRUB SCREW	2
3	ZINC-ALLOY HANDLE	2
4	S/S CROSS HEAD SCREW	2
5	NYLON CONNECTOR	2
6	3/4" CERAMIC HOT CARTRIDGE	1
7	3/4" CERAMIC COLD CARTRIDGE	1
8	BRASS TAP BODY	1
9	ZINC-ALLOY BASE PLATE	2
10	S/S BASE PLATE GRUB SCREW	2
11	NBR BSP TAIL O-RING	2
12	BRASS G3/4" BSP TAIL	2
13	NBR BASE PLATE WASHER	2
14	NBR LOCK NUT WASHER	2
15	PLASTIC LOCK NUT	2
16	NBR AERATOR WASHER	1
17	M24*1 ABS AERATOR	1

FOR FURTHER ADVICE PLEASE CONTACT :-

SAGITTARIUS LTD UNIT 1 LOWER VICTORIA STREET—CHADDERTON—OLDHAM—OL9 9TU TEL:0616 6202029

EMAIL:TECHNICAL@SAGITTARIUSTAPS.CO.UK