

SAGITTARIUS

TAPS & SHOWERING

Construction Brass Body, Zinc-alloy Handle

Finishes Brushed Gold

Product Type Contemporary

Water Pressure Tested Between Min. 0.2 bar, Max. 6.0 bar

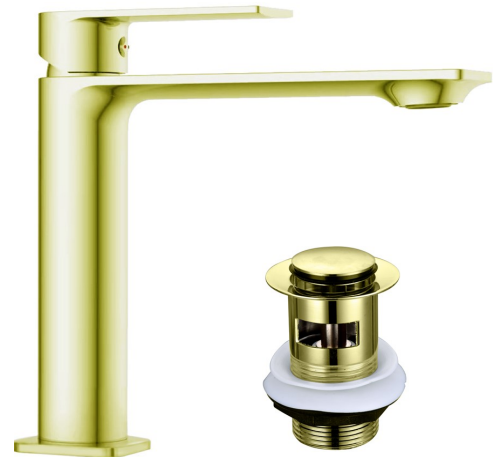
Cartridge WANHAI 35mm ceramic disc

Fitting G ½ " Flexible tails

Guarantee 5 years against manufacturing faults (excluding serviceable parts)

Additional Information Supplied with sprung waste

**KVELL BRUSHED BRASS
MONO BASIN MIXER
KV/106/BB**



Operating Water Pressure



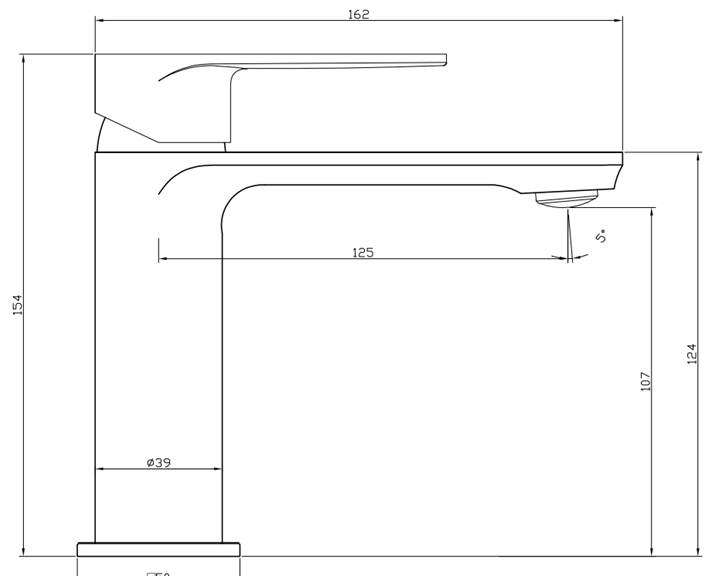
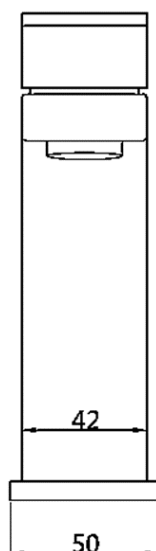
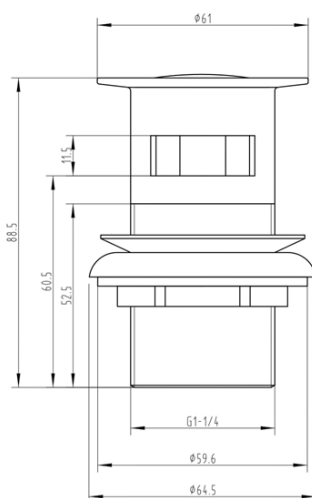
LOW PRESSURE
0.2 - 0.5 bar



COMBI BOILER



HIGH PRESSURE
1.2 - 1.5+ bar



The information contained on this page was correct at the date of issue. Fitting dimensions are provided as a guide only. Some variation may occur due to manufacturing tolerances. We pursue a policy of continuing improvement in design and performance of our products and so reserve the right to change specifications without prior notice

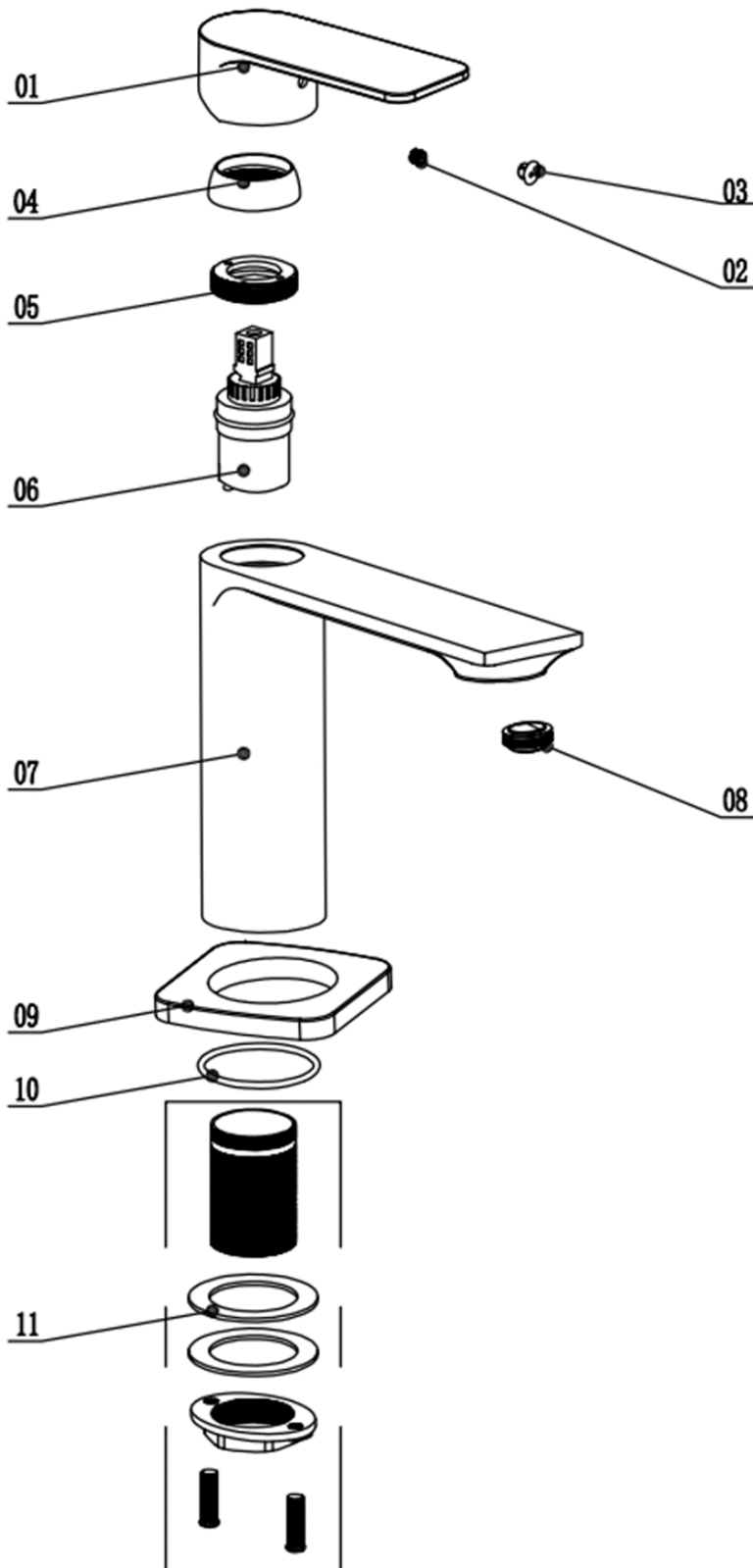
FOR FURTHER ADVICE PLEASE CONTACT :-

SAGITTARIUS LTD UNIT 1 LOWER VICTORIA STREET—CHADDERTON—OLDHAM—OL9 9TU TEL:0616 6202029

EMAIL:TECHNICAL@SAGITTARIUSTAPS.CO.UK

Flow Rates (Litres per minute)

System Pressure	0.1 Bar	0.2 Bar	0.3 Bar	0.5 Bar	1.0 Bar	1.5 Bar	2.0 Bar	3.0 Bar	4.0 Bar	5.0 Bar
	2.1	3.0	3.9	5.0	7.2	8.8	10.2	12.3	14.2	16.0



No	Description	QTY
1	Handle	1
2	Screw	1
3	Indice	1
4	Collor	1
5	Cartridge Locking Nut	1
6	Cartridge	1
7	Body	1
8	Aerator	1
9	Base Plate	1
10	O-ring	1
11	BSP fitting kit	1

FOR FURTHER ADVICE PLEASE CONTACT :-

SAGITTARIUS LTD UNIT 1 LOWER VICTORIA STREET—CHADDERTON—OLDHAM—OL9 9TU TEL:0616 6202029

EMAIL:TECHNICAL@SAGITTARIUSTAPS.CO.UK