

SAGITTARIUS

TAPS & SHOWERING

Construction	Brass Body, Zinc-alloy Handle
Finishes	Matt Black
Product Type	Contemporary
Water Pressure Tested Between	Min. 0.2 bar, Max. 6.0 bar
Cartridge	WANHAI 35mm ceramic disc
Fitting	G ½ " Flexible tails
Guarantee	5 years against manufacturing faults (excluding serviceable parts)
Additional Information	Supplied with sprung waste

KVELL MATT BLACK TALL MONO BASIN MIXER KV/106/B



Operating Water Pressure



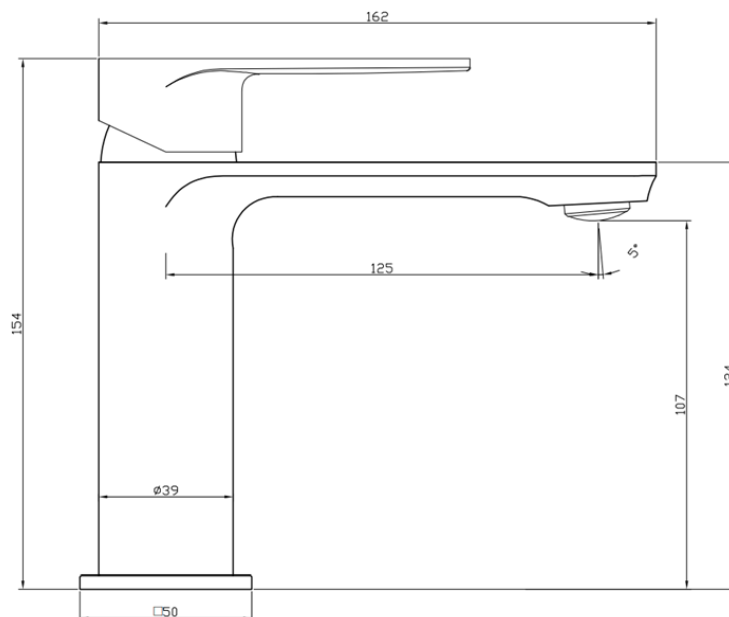
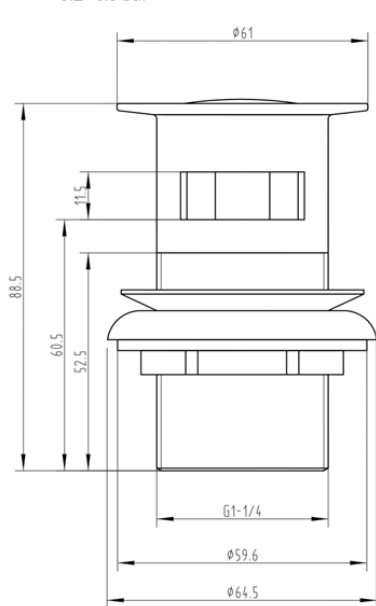
LOW PRESSURE
0.2 - 0.5 bar



COMBI BOILER



HIGH PRESSURE
1.2 - 1.5+ bar



The information contained on this page was correct at the date of issue. Fitting dimensions are provided as a guide only. Some variation may occur due to manufacturing tolerances. We pursue a policy of continuing improvement in design and performance of our products and so reserve the right to change specifications without prior notice

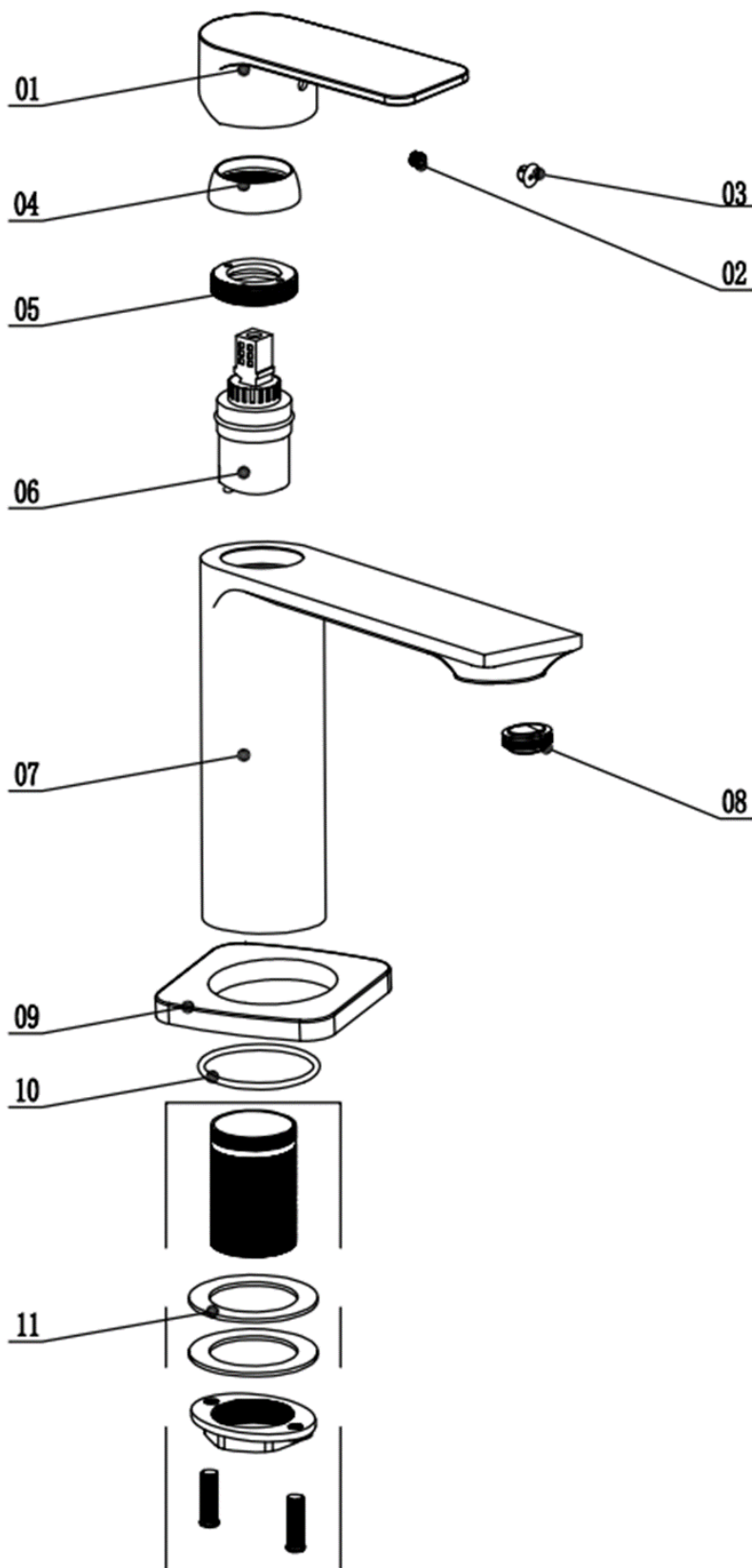
FOR FURTHER ADVICE PLEASE CONTACT :-

SAGITTARIUS LTD UNIT 1 LOWER VICTORIA STREET—CHADDERTON—OLDHAM—OL9 9TU TEL:0616 6202029

EMAIL:TECHNICAL@SAGITTARIUSTAPS.CO.UK

Flow Rates (Litres per minute)

System Pressure	0.1 Bar	0.2 Bar	0.3 Bar	0.5 Bar	1.0 Bar	1.5 Bar	2.0 Bar	3.0 Bar	4.0 Bar	5.0 Bar
	2.1	3.0	3.9	5.0	7.2	8.8	10.2	12.3	14.2	16.0



No	Description	QTY
1	Handle	1
2	Screw	1
3	Indice	1
4	Collor	1
5	Cartridge Locking Nut	1
6	Cartridge	1
7	Body	1
8	Aerator	1
9	Base Plate	1
10	O-ring	1
11	BSP fitting kit	1

FOR FURTHER ADVICE PLEASE CONTACT :-

SAGITTARIUS LTD UNIT 1 LOWER VICTORIA STREET—CHADDERTON—OLDHAM—OL9 9TU TEL:0616 6202029

EMAIL:TECHNICAL@SAGITTARIUSTAPS.CO.UK