

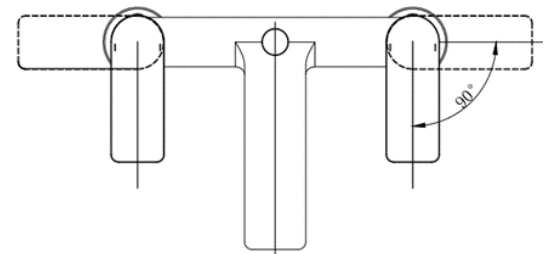
SAGITTARIUS

TAPS & SHOWERING

KVELL DECK MOUNTED BATH SHOWER MIXER

KV/105

Construction	Brass Body; Zinc-alloy Handle
Finishes	Chrome
Product Type	Contemporary
Water Pressure Tested Between	Min. 0.2 bar, Max. 5.0 bar
Standards	Complies with BS5412, BS EN200
Cartridge	1/4 Turn Ceramic Disc Valves
Fitting	G3/4" BSP Tails
Guarantee	10 years against manufacturing faults (excluding serviceable parts)
Additional Information	Supplied with Chrome 1.5m Stainless steel hose, chrome ABS handset



Operating Water Pressure



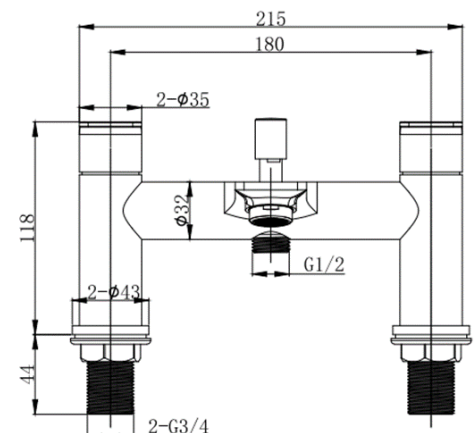
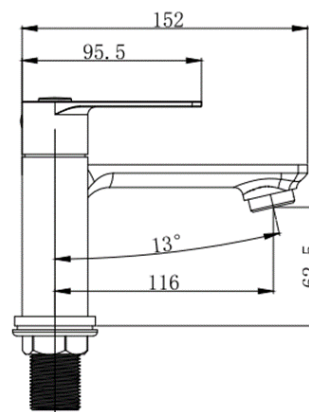
LOW PRESSURE
0.2-0.5 bar



COMBI BOILER



HIGH PRESSURE
1.2-1.5+ bar



The information contained on this page was correct at the date of issue. Fitting dimensions are provided as a guide only. Some variation may occur due to manufacturing tolerances. We pursue a policy of continuing improvement in design and performance of our products and so reserve the right to change specifications without prior notice.

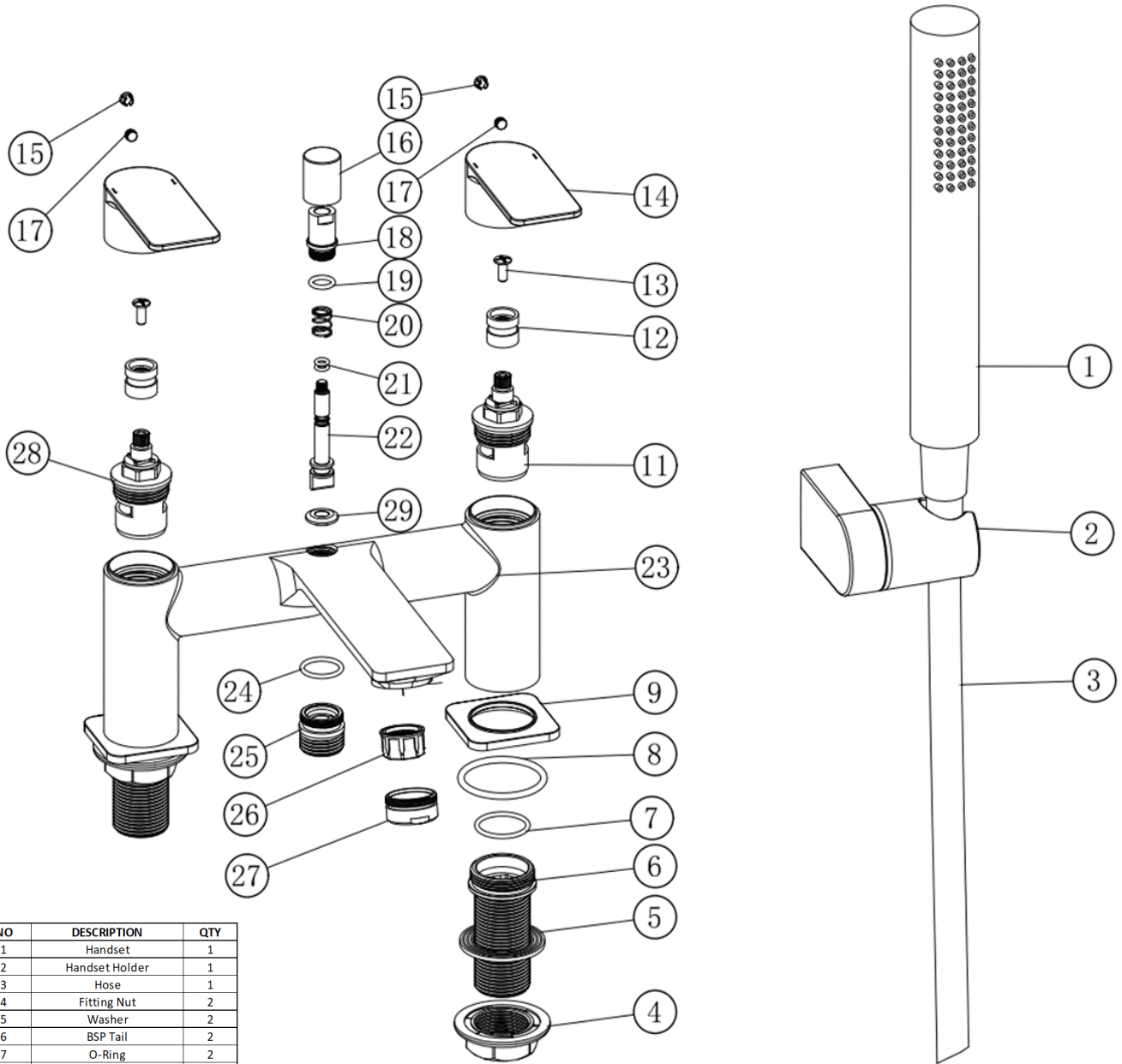
FOR FURTHER ADVICE PLEASE CONTACT :-

SAGITTARIUS LTD UNIT 1 LOWER VICTORIA STREET—CHADDERTON—OLDHAM—OL9 9TU TEL:0616 6202029

EMAIL:TECHNICAL@SAGITTARIUSTAPS.CO.UK

Flow Rates (Litres per minute)

System Pressure	0.1 Bar	0.2 Bar	0.3 Bar	0.5 Bar	1.0 Bar	1.5 Bar	2.0 Bar	3.0 Bar	4.0 Bar	5.0 Bar
Spout	9.0	-	14.6	18.5	26.2	-	37.8	45.6	52.4	58.3
Handset	11.5	-	18.1	23.3	32.9	-	48.8	60.0	-	-



NO	DESCRIPTION	QTY
1	Handset	1
2	Handset Holder	1
3	Hose	1
4	Fitting Nut	2
5	Washer	2
6	BSP Tail	2
7	O-Ring	2
8	O-Ring	2
9	Base Plate	2
11	G3/4 Cold cartridge	1
12	Cartridge Nut	2
13	Screw	2
14	Handle	2
15	Indice cap	2
16	Diverter Handle	1
17	Screw	2
18	Diverter connector	1
19	O-Ring	1
20	Spring	1
21	O-Ring	2
22	Diverter lever	1
23	Brass Body	1
24	O-Ring	1
25	Hose Connector	1
26	Aerator	1
27	Aerator Cover	1
28	G3/4 Hot cartridge	1
29	disc	1

FOR FURTHER ADVICE PLEASE CONTACT :-
 SAGITTARIUS LTD UNIT 1 LOWER VICTORIA STREET—CHADDERTON—OLDHAM—OL9 9TU TEL:0616 6202029
 EMAIL:TECHNICAL@SAGITTARIUSTAPS.CO.UK