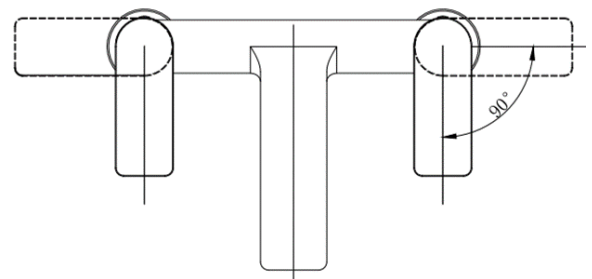


# SAGITTARIUS

## TAPS & SHOWERING

<b>Construction</b>	Brass Body; Zinc-alloy handle
<b>Finishes</b>	Chrome
<b>Product Type</b>	Contemporary
<b>Water Pressure Tested Between</b>	Min. 0.2 bar, Max. 5.0 bar
<b>Standards</b>	Complies with BS5412, BS EN200
<b>Cartridge</b>	1/4 Turn Ceramic Disc Valves
<b>Fitting</b>	G3/4" BSP Tails
<b>Guarantee</b>	10 years against manufacturing faults (excluding serviceable)

### KVELL DECK MOUNTED BATH FILLER KV/104



#### Operating Water Pressure



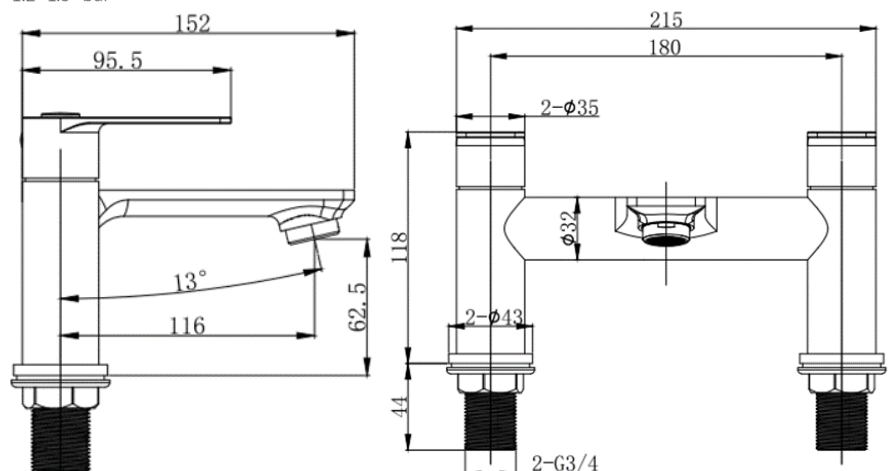
**LOW PRESSURE**  
0.2 - 0.5 bar



**COMBI BOILER**



**HIGH PRESSURE**  
1.2 - 1.5+ bar



The information contained on this page was correct at the date of issue. Fitting dimensions are provided as a guide only. Some variation may occur due to manufacturing tolerances. We pursue a policy of continuing improvement in design and performance of our products and so reserve the right to change specifications without prior notice

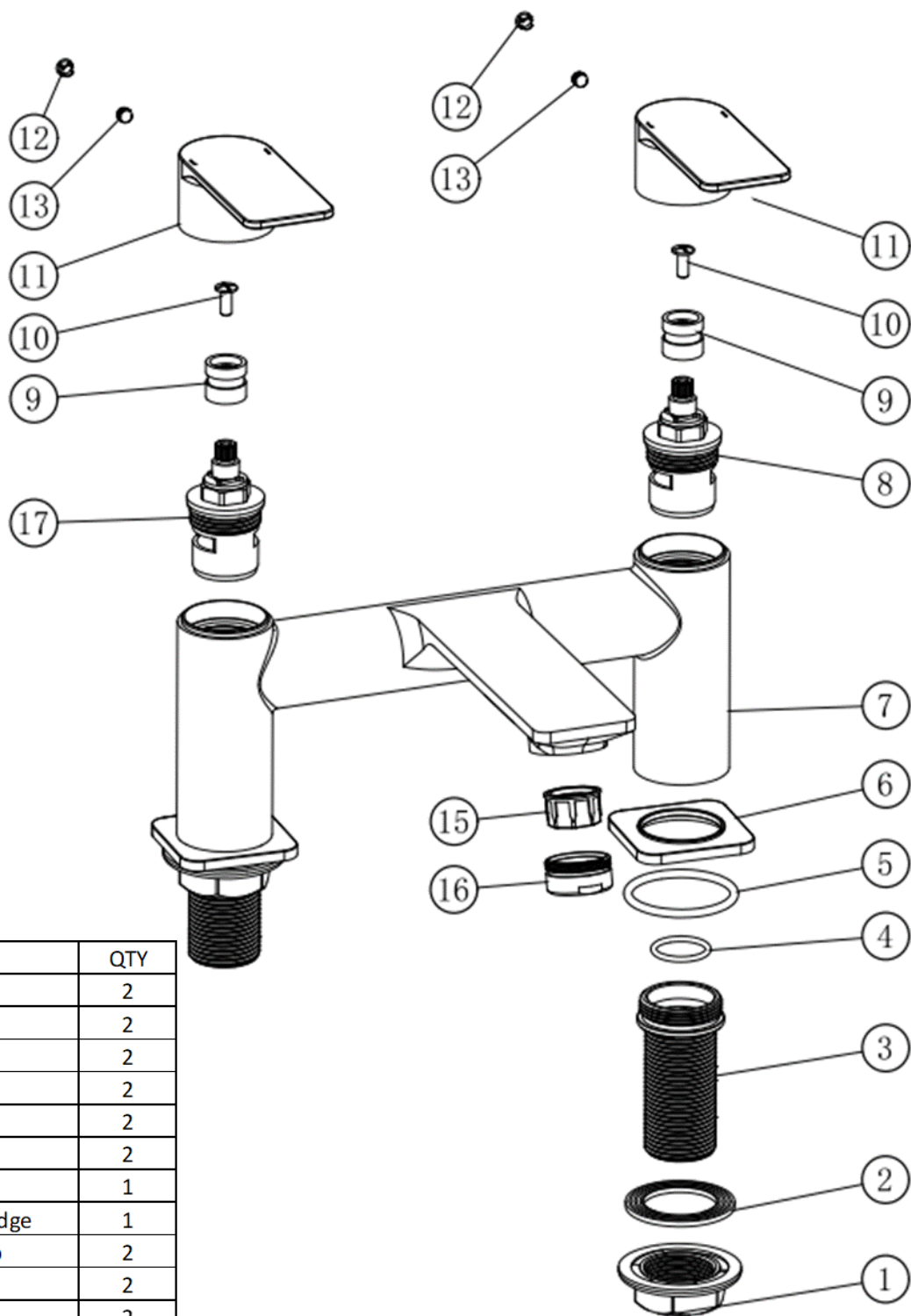
FOR FURTHER ADVICE PLEASE CONTACT :-

SAGITTARIUS LTD UNIT 1 LOWER VICTORIA STREET—CHADDERTON—OLDHAM—OL9 9TU TEL:0616 6202029

EMAIL:TECHNICAL@SAGITTARIUSTAPS.CO.UK

**Flow Rates** (Litres per minute)

System Pressure	0.1 Bar	0.2 Bar	0.3 Bar	0.5 Bar	1.0 Bar	1.5 Bar	2.0 Bar	3.0 Bar	4.0 Bar	5.0 Bar
	15.3	-	25.6	30.4	35.7	-	60.0	-	-	-



No	Description	QTY
1	Fitting Nut	2
2	Washer	2
3	BSP Tail	2
4	O-ring	2
5	O-ring	2
6	Base Plate	2
7	Brass Body	1
8	G3/4 Cold Cartridge	1
9	Cartridge Cap	2
10	Screw	2
11	Handle	2
12	Indice cap	2
13	Screw	2
14	Washer	1
15	Aerator	1
16	Aerator Cover	1
17	G3/4 Hot Cartridge	1

FOR FURTHER ADVICE PLEASE CONTACT :-

SAGITTARIUS LTD UNIT 1 LOWER VICTORIA STREET—CHADDERTON—OLDHAM—OL9 9TU TEL:0616 6202029

EMAIL:TECHNICAL@SAGITTARIUSTAPS.CO.UK