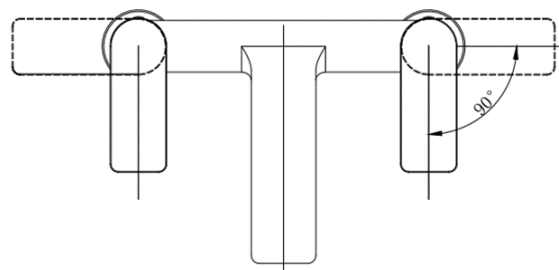


SAGITTARIUS

TAPS & SHOWERING

Construction	Brass Body; Zinc-alloy handle
Finishes	Matt Black
Product Type	Contemporary
Water Pressure Tested Between	Min. 0.2 bar, Max. 5.0 bar
Standards	Complies with BS5412, BS EN200
Cartridge	1/4 Turn Ceramic Disc Valves
Fitting	G3/4" BSP Tails
Guarantee	5 years against manufacturing faults (excluding serviceable parts)

KVELL MATT BLACK DECK MOUNTED BATH FILLER KV/104/B



Operating Water Pressure



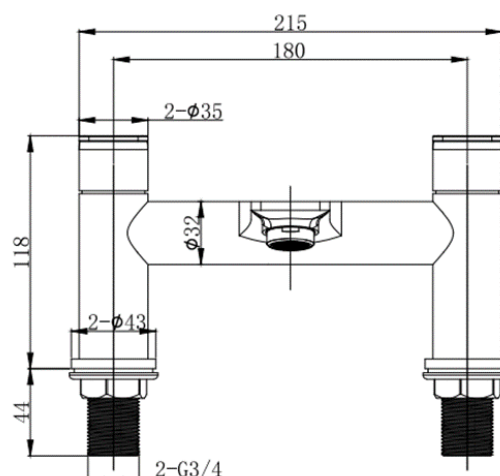
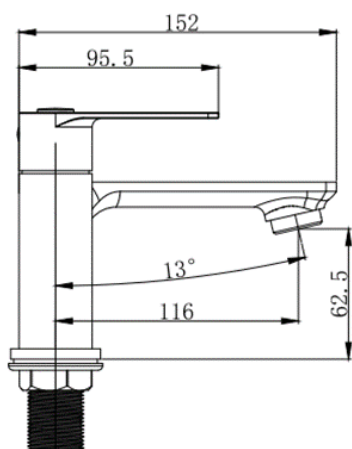
LOW PRESSURE
0.2-0.5 bar



COMBI BOILER



HIGH PRESSURE
1.2-1.5+ bar



The information contained on this page was correct at the date of issue. Fitting dimensions are provided as a guide only. Some variation may occur due to manufacturing tolerances. We pursue a policy of continuing improvement in design and performance of our products and so reserve the right to change specifications without prior notice.

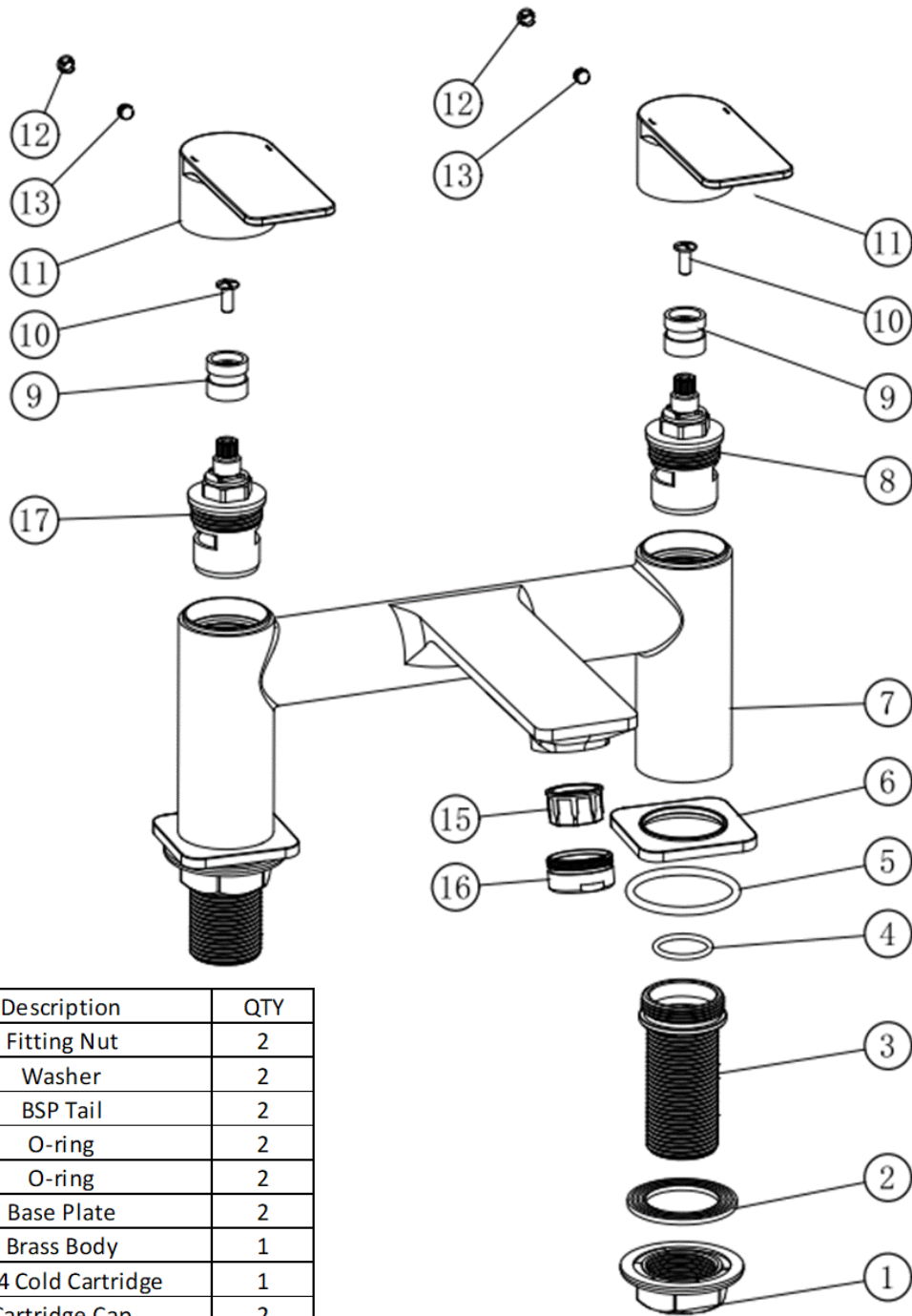
FOR FURTHER ADVICE PLEASE CONTACT :-

SAGITTARIUS LTD UNIT 1 LOWER VICTORIA STREET—CHADDERTON—OLDHAM—OL9 9TU TEL:0616 6202029

EMAIL:TECHNICAL@SAGITTARIUSTAPS.CO.UK

Flow Rates (Litres per minute)

System Pressure	0.1 Bar	0.2 Bar	0.3 Bar	0.5 Bar	1.0 Bar	1.5 Bar	2.0 Bar	3.0 Bar	4.0 Bar	5.0 Bar
	15.3	-	25.6	30.4	35.7	-	60.0	-	-	-



No	Description	QTY
1	Fitting Nut	2
2	Washer	2
3	BSP Tail	2
4	O-ring	2
5	O-ring	2
6	Base Plate	2
7	Brass Body	1
8	G3/4 Cold Cartridge	1
9	Cartridge Cap	2
10	Screw	2
11	Handle	2
12	Index cap	2
13	Screw	2
14	Washer	1
15	Aerator	1
16	Aerator Cover	1
17	G3/4 Hot Cartridge	1

FOR FURTHER ADVICE PLEASE CONTACT :-

SAGITTARIUS LTD UNIT 1 LOWER VICTORIA STREET—CHADDERTON—OLDHAM—OL9 9TU TEL:0616 6202029

EMAIL:TECHNICAL@SAGITTARIUSTAPS.CO.UK