

# SAGITTARIUS

## TAPS & SHOWERING

**Construction** Brass Body & Base plates, Zinc-alloy Handles

**Finishes** Chrome (Ni : 8-12um, Cr : 0.25-0.3um)

**Product Type** Contemporary

**KUBIC PAIR OF 3/4" DECK MOUNTED SIDE VALVES CHROME**  
**KU/140/C**

**Water Pressure Tested Between** Min. 0.2 bar, Max. 6.0 bar

**Standards** Complies with BS5412, BS EN200

**Cartridge** ¼ turn ¾" Ceramic disc valve

**Net Weight (Valves only)** 775g

**Fitting** Brass G¾" BSP tails

**Guarantee** 10 years against manufacturing faults (excluding serviceable parts)



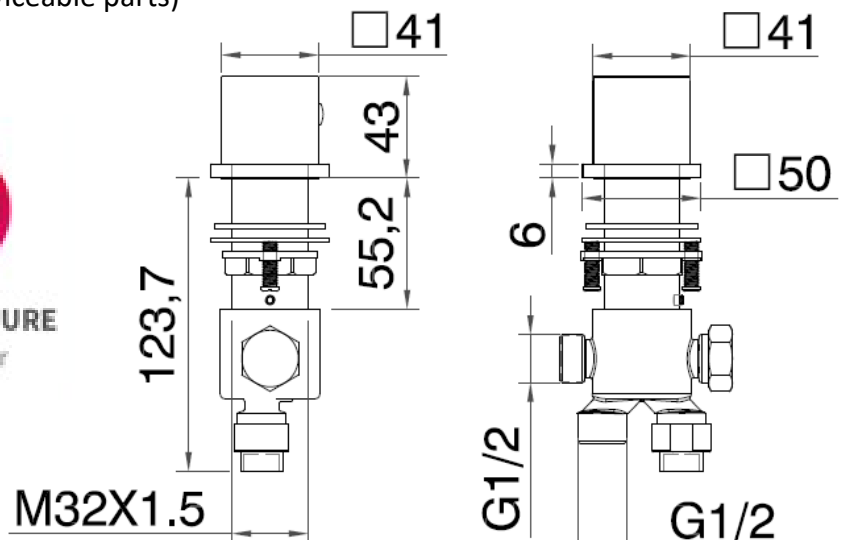
### Operating Water Pressure



**COMBI BOILER**  
1.2 - 1.5+ bar



**HIGH PRESSURE**  
1.2 - 1.5+ bar



### Flow Rates (Litres per minute)

System Pressure	0.1 Bar	0.2 Bar	0.3 Bar	0.5 Bar	1.0 Bar	1.5 Bar	2.0 Bar	3.0 Bar	4.0 Bar	5.0 Bar
	11.9	15.4	18.4	23.2	32.2	39.4	45.6	55.6	64.0	71.9

The information contained on this page was correct at the date of issue. Fitting dimensions are provided as a guide only. Some variation may occur due to manufacturing tolerances. We pursue a policy of continuing improvement in design and performance of our products and so reserve the right to change specifications without prior notice

FOR FURTHER ADVICE PLEASE CONTACT :-

SAGITTARIUS LTD UNIT 1 LOWER VICTORIA STREET—CHADDERTON—OLDHAM—OL9 9TU TEL:0616 6202029

EMAIL:TECHNICAL@SAGITTARIUSTAPS.CO.UK