

SAGITTARIUS

TAPS & SHOWERING

Construction

Brass Body (H59-1/ BS CZ122); Stainless steel spout; Zinc-alloy Handles
Chrome

Finishes

Product Type

Contemporary

Water Pressure Tested Between

Min. 0.5 bar, Max. 6.0 bar

Standards

Complies with BS5412, BS EN200

Certification

WRAS (2206054) approved and certified

Cartridge

1/4 Turn 1/2" Ceramic disc valves

Aerator

M24*1 Spout aerator

Fitting

M10 x G1/2" BSP Female Flexible inlet connection hoses, 400mm

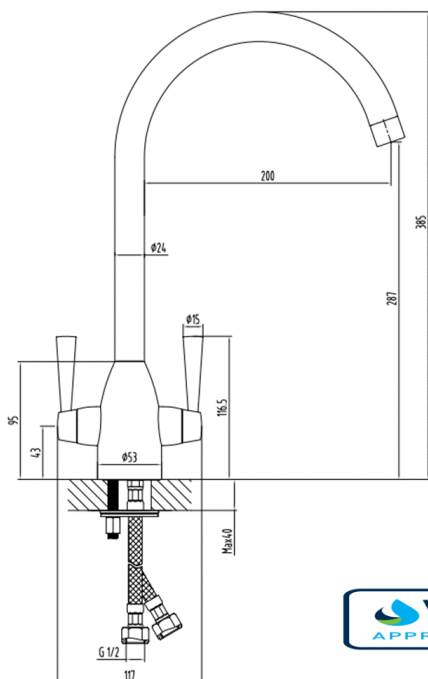
Guarantee

10 years against manufacturing faults (excluding serviceable parts)

Additional Information

360° Swivel Spout, installation on worktop with maximum thickness of 40mm

FORME MONOBLOC SINK MIXER KTS/233



The information contained on this page was correct at the date of issue. Fitting dimensions are provided as a guide only. Some variation may occur due to manufacturing tolerances. We pursue a policy of continuing improvement in design and performance of our products and so reserve the right to change specifications without prior notice

FOR FURTHER ADVICE PLEASE CONTACT :-

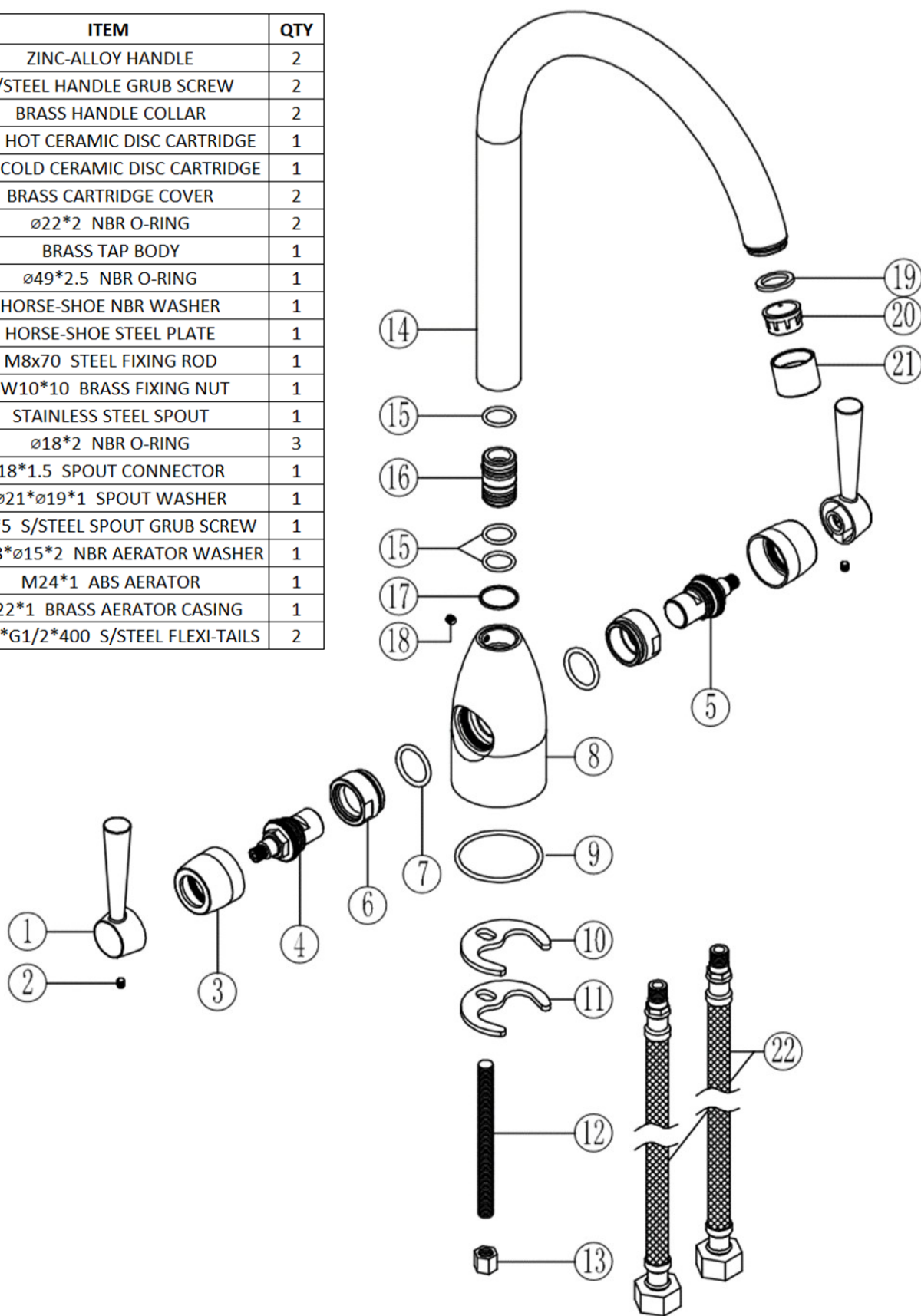
SAGITTARIUS LTD UNIT 1 LOWER VICTORIA STREET—CHADDERTON—OLDHAM—OL9 9TU TEL:0616 6202029

EMAIL:TECHNICAL@SAGITTARIUSTAPS.CO.UK

Flow Rates (Litres per minute)

System Pressure	0.1 Bar	0.2 Bar	0.3 Bar	0.5 Bar	1.0 Bar	1.5 Bar	2.0 Bar	3.0 Bar	4.0 Bar	5.0 Bar
	-	4.0	-	6.8	9.5	-	14.0	17.0	-	-

NO.	ITEM	QTY
1	ZINC-ALLOY HANDLE	2
2	S/STEEL HANDLE GRUB SCREW	2
3	BRASS HANDLE COLLAR	2
4	1/2" HOT CERAMIC DISC CARTRIDGE	1
5	1/2" COLD CERAMIC DISC CARTRIDGE	1
6	BRASS CARTRIDGE COVER	2
7	∅22*2 NBR O-RING	2
8	BRASS TAP BODY	1
9	∅49*2.5 NBR O-RING	1
10	HORSE-SHOE NBR WASHER	1
11	HORSE-SHOE STEEL PLATE	1
12	M8x70 STEEL FIXING ROD	1
13	SW10*10 BRASS FIXING NUT	1
14	STAINLESS STEEL SPOUT	1
15	∅18*2 NBR O-RING	3
16	18*1.5 SPOUT CONNECTOR	1
17	∅21*∅19*1 SPOUT WASHER	1
18	M5*5 S/STEEL SPOUT GRUB SCREW	1
19	∅20.8*∅15*2 NBR AERATOR WASHER	1
20	M24*1 ABS AERATOR	1
21	M22*1 BRASS AERATOR CASING	1
22	M10*G1/2*400 S/STEEL FLEXI-TAILS	2



FOR FURTHER ADVICE PLEASE CONTACT :-
 SAGITTARIUS LTD UNIT 1 LOWER VICTORIA STREET—CHADDERTON—OLDHAM—OL9 9TU TEL:0616 6202029
 EMAIL:TECHNICAL@SAGITTARIUSTAPS.CO.UK