

SAGITTARIUS

TAPS & SHOWERING

Construction Brass Body;
Zinc alloy handle

Finishes Matt
Black

Product Type Contemporary

Water Pressure Tested Between Min. 0.2 bar,
Max. 6.0 bar

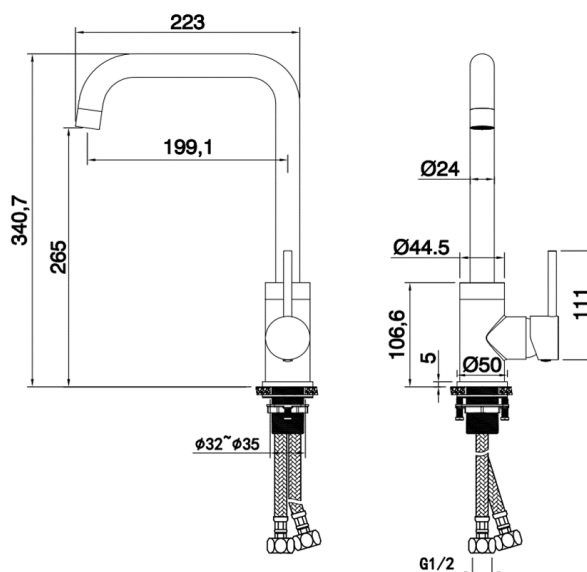
Cartridge 35mm Ceramic
disc cartridge

Fitting Flexible connection
pipes

Aerator Spout
aerator

Guarantee 10 years against manufacturing
faults (excluding serviceable
parts)

**AMALFI SIDE LEVER SINK
MIXER
KTS/210/B**



The information contained on this page was correct at the date of issue. Fitting dimensions are provided as a guide only. Some variation may occur due to manufacturing tolerances. We pursue a policy of continuing improvement in design and performance of our products and so reserve the right to change specifications without prior notice

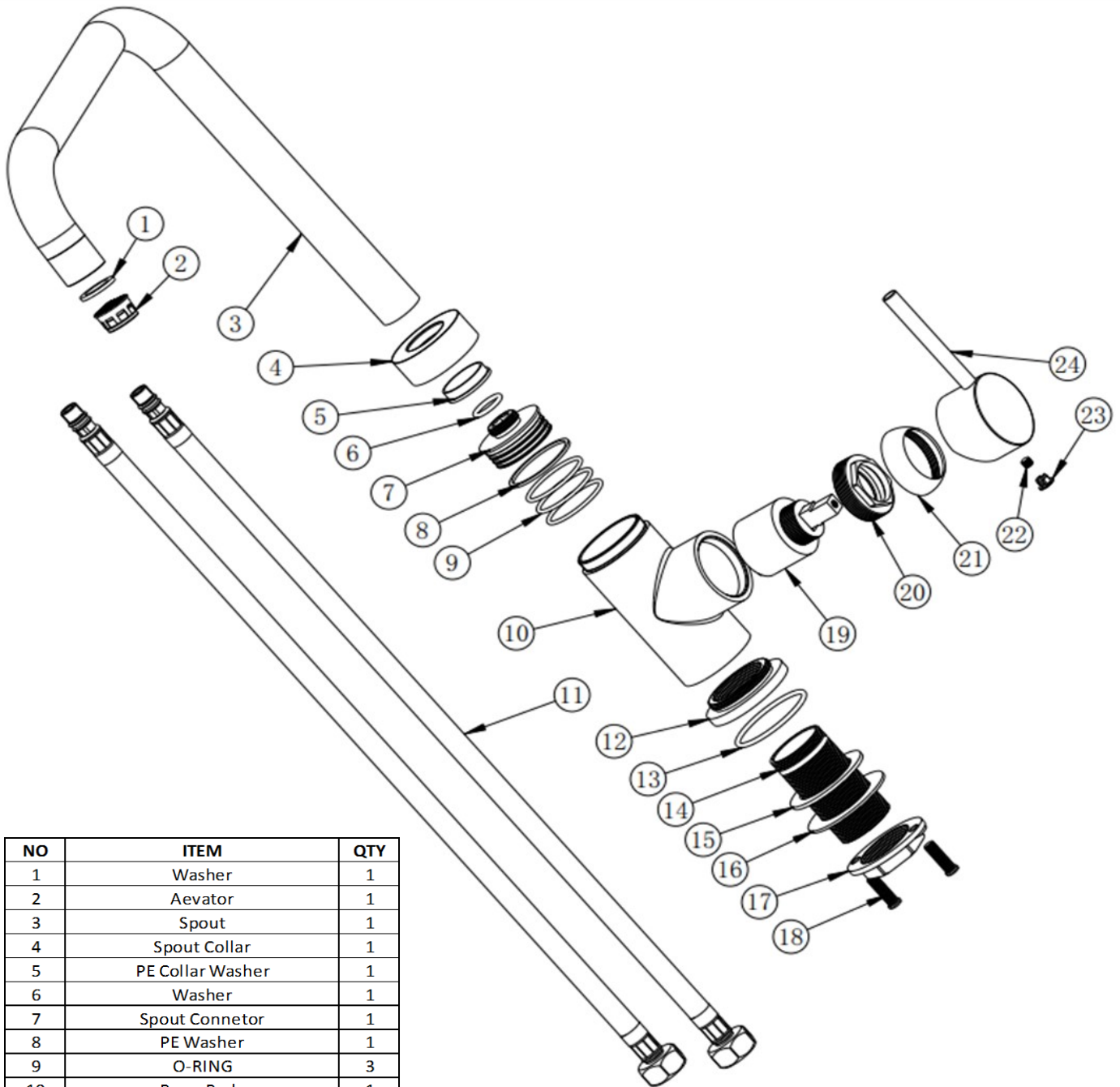
FOR FURTHER ADVICE PLEASE CONTACT :-

SAGITTARIUS LTD UNIT 1 LOWER VICTORIA STREET—CHADDERTON—OLDHAM—OL9 9TU TEL:0616 6202029

EMAIL:TECHNICAL@SAGITTARIUSTAPS.CO.UK

Flow Rates (Litres per minute)

System Pressure	0.1 Bar	0.2 Bar	0.3 Bar	0.5 Bar	1.0 Bar	1.5 Bar	2.0 Bar	2.5 Bar	3.0 Bar	5.0 Bar
	2.8	3.2	3.9	5.4	7.5	9.1	11.0	12.9	14.8	16.6



NO	ITEM	QTY
1	Washer	1
2	Aevator	1
3	Spout	1
4	Spout Collar	1
5	PE Collar Washer	1
6	Washer	1
7	Spout Connetor	1
8	PE Washer	1
9	O-RING	3
10	Brass Body	1
11	FlexiTail	2
12	Base Plate	1
13	O-RING	1
14-18	Fitting Kit	1
19	35mm Low Cartridge	1
20	M37 Brass Nut	1
21	Handle Collar	1
22	Grub Screw	1
23	Cover Cap	1
24	Handle Collar	1

FOR FURTHER ADVICE PLEASE CONTACT :-

SAGITTARIUS LTD UNIT 1 LOWER VICTORIA STREET—CHADDERTON—OLDHAM—OL9 9TU TEL:0616 6202029

EMAIL:TECHNICAL@SAGITTARIUSTAPS.CO.UK