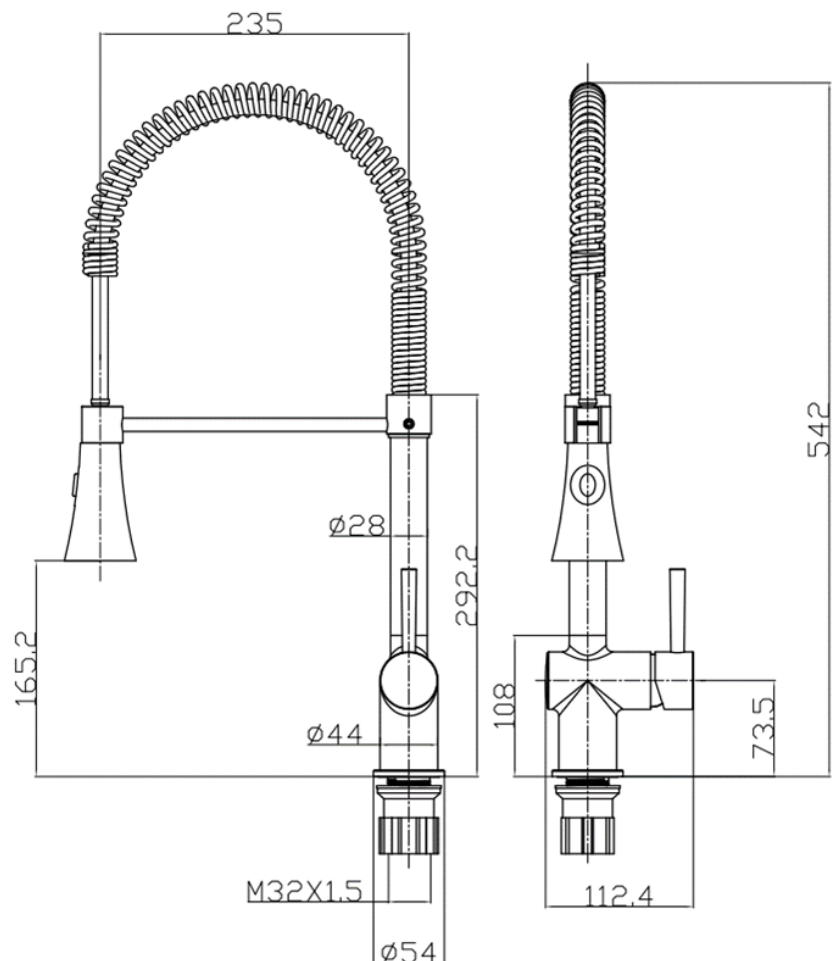


# SAGITTARIUS

<b>Product Code</b>	KPO/286/C
<b>Description</b>	Ammatti Professional Sink Mixer
<b>Finish</b>	Chrome
<b>Design</b>	Contemporary
<b>Connection</b>	M10 x 500mm G1/2" BSP Female Flexible Connection Tails
<b>Plumbing System</b>	High Pressure. Pumped Or Combination Boiler
<b>Operating System</b>	Minimum Pressure 0.5 to 5.0 Bar
<b>Cartridges</b>	35mm Ceramic Disc Cartridge
<b>Approval</b>	WRAS Approved Material
<b>Guarantee</b>	10 Years On Casting & Chrome Finish. 3 Years On Serviceable Moving Parts.
<b>Additional Information</b>	Pull Out Spray Head



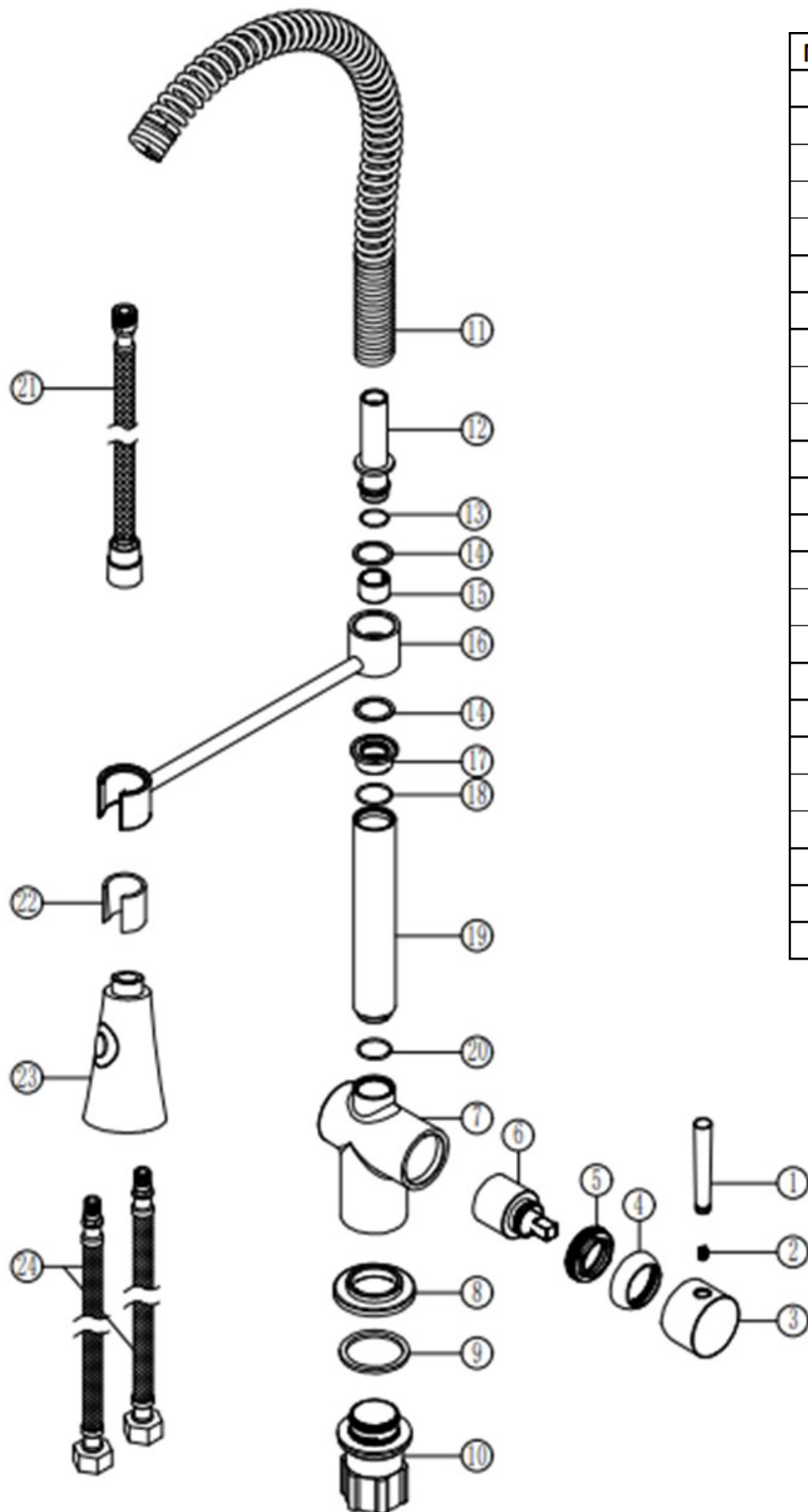
The information contained on this page was correct at the date of issue. Fitting dimensions are provided as a guide only. Some variation may occur due to manufacturing tolerances. We pursue a policy of continuing improvement in design and performance of our products and so reserve the right to change specifications without prior notice

FOR FURTHER ADVICE PLEASE CONTACT :-

SAGITTARIUS LTD UNIT 1 LOWER VICTORIA STREET—CHADDERTON—OLDHAM—OL9 9TU TEL: 0161 6202029

## Flow Rates (Litres per minute)

System Pressure	0.1 Bar	0.2 Bar	0.3 Bar	0.5 Bar	1.0 Bar	1.5 Bar	2.0 Bar	3.0 Bar	4.0 Bar	5.0 Bar
KPO/286/C	-	3.2	-	4.4	5.8	6.4	7.2	8.5	-	10.0



No.	Description	QTY
1	Handle Lever	1
2	Screw	1
3	Handle	1
4	Collar	1
5	Lock Nut	1
6	35mm Cartridge	1
7	Main Body	1
8	Base Plate	1
9	Washer	1
10	Easy fit push lock	1
11	Spring	1
12	Outlet Connector	1
13	O Ring	1
14	Wearing ring	3
15	Plastic Spring	1
16	Spout Rack	1
17	Connector	1
18	O-ring	1
19	Outlet connector pipe	1
20	O-ring	1
21	Hose	1
22	Spray head Holder cover	1
23	Spray Head	1
24	Flexi Tail	2

The information contained on this page was correct at the date of issue. Fitting dimensions are provided as a guide only. Some variation may occur due to manufacturing tolerances. We pursue a policy of continuing improvement in design and performance of our products and so reserve the right to change specifications without prior notice

FOR FURTHER ADVICE PLEASE CONTACT :-

SAGITTARIUS LTD UNIT 1 LOWER VICTORIA STREET—CHADDERTON—OLDHAM—OL9 9TU TEL:0161 6202029