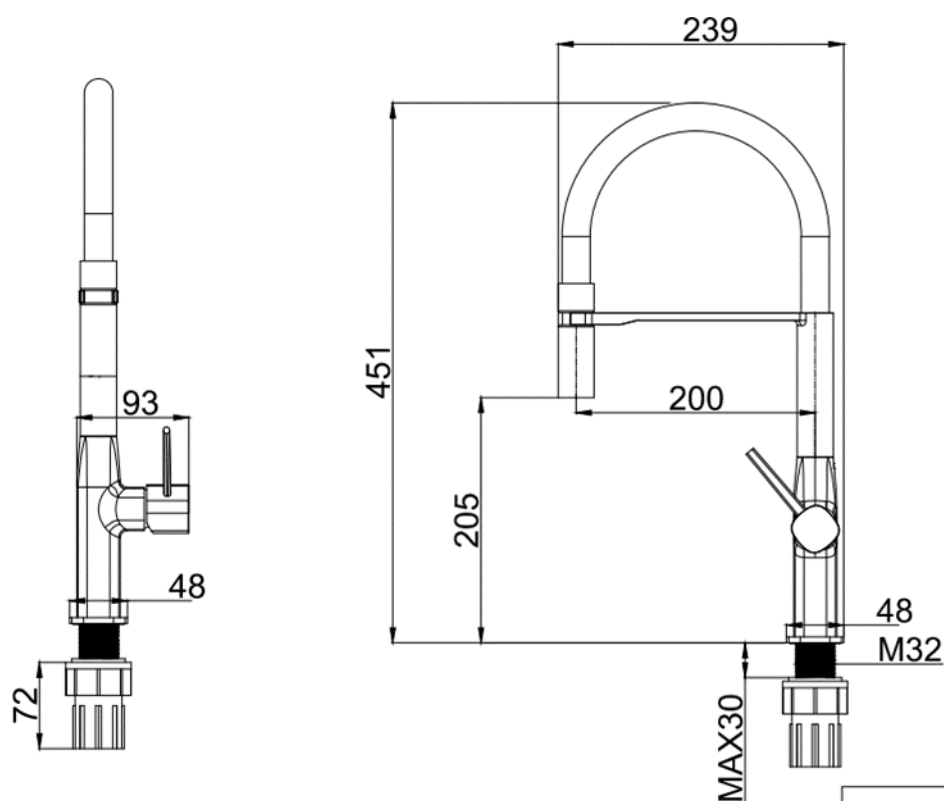


SAGITTARIUS

TAPS & SHOWERING

Construction	Brass Body (CuZn40Pb18); Zinc-alloy handle
Finishes	Chrome plated to BS EN 248
Product Type	Contemporary
Water Pressure Tested Between Standards	Min. 0.2 bar, Max. 6.0 bar
Cartridge Fitting	Complies with BS5412, BS EN200
Aerator	35mm Ceramic disc cartridge
Guarantee	M10 x 500mm 1/2" BSP Female flexible connection pipes
Additional Information	Spout aerator 10 years against manufacturing faults (excluding serviceable parts) 360° Swivel Spout

FORIO MONOBLOC SINK MIXER
KPO/284



The information contained on this page was correct at the date of issue. Fitting dimensions are provided as a guide only. Some variation may occur due to manufacturing tolerances. We pursue a policy of continuing improvement in design and performance of our products and so reserve the right to change specifications without prior notice

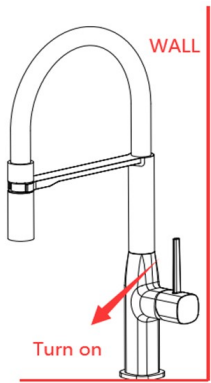
FOR FURTHER ADVICE PLEASE CONTACT :-

SAGITTARIUS LTD UNIT 1 LOWER VICTORIA STREET—CHADDERTON—OLDHAM—OL9 9TU TEL:0616 6202029

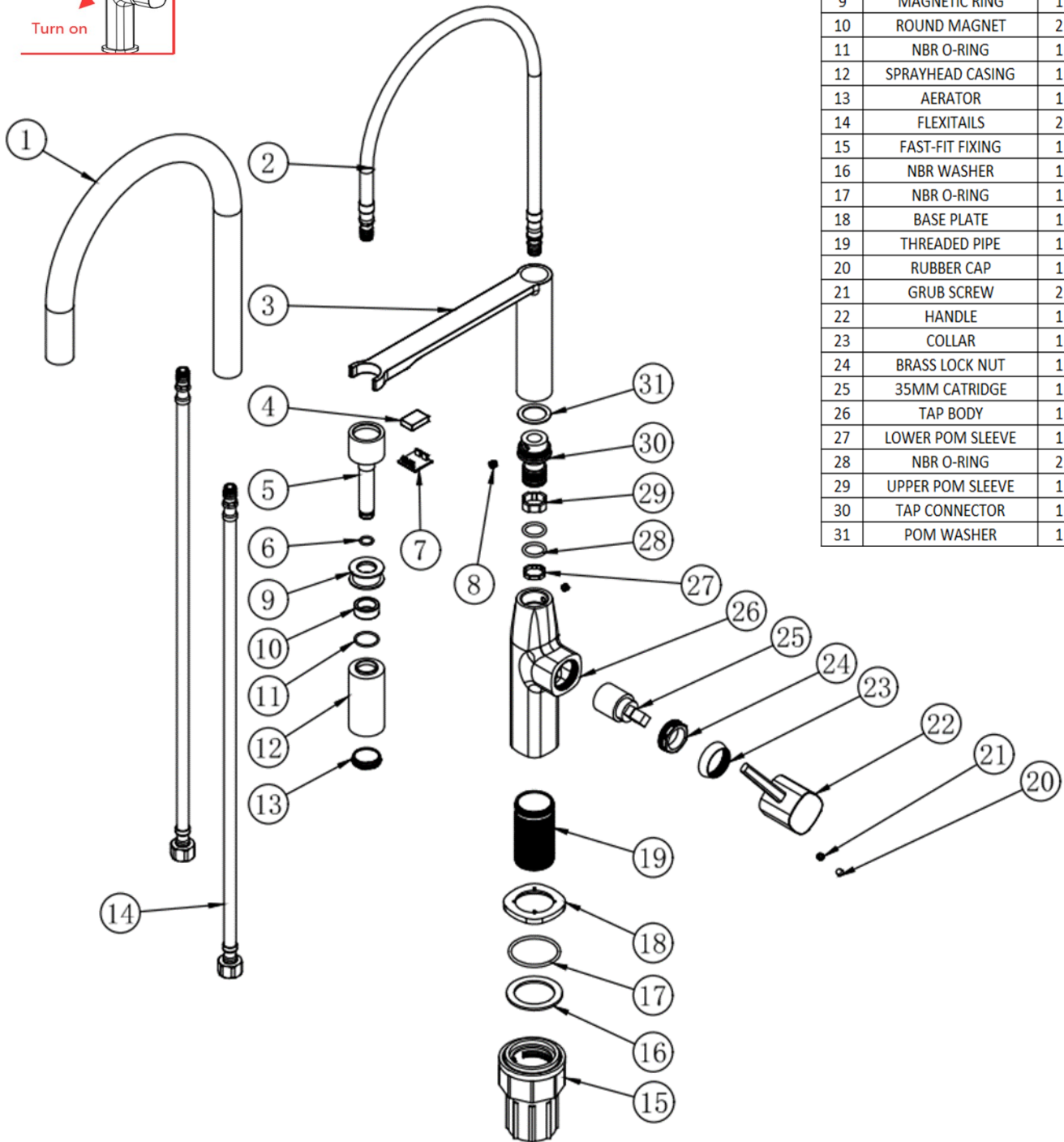
EMAIL:TECHNICAL@SAGITTARIUSTAPS.CO.UK

Flow Rates (Litres per minute)

System Pressure	0.1 Bar	0.2 Bar	0.3 Bar	0.5 Bar	1.0 Bar	1.5 Bar	2.0 Bar	2.5 Bar	3.0 Bar	5.0 Bar
	2.0	2.6	3.4	4.7	7.1	9.0	10.6	-	13.3	17.6



No.	DESCRIPTION	QTY
1	RUBBER HOSE	1
2	CONNECTOR HOSE	1
3	TAP ARM	1
4	SQUARE MAGNET	4
5	SPRAYHEAD CONNECTOR	1
6	NBR O-RING	1
7	ABS COVER	1
8	GRUB SCREW	1
9	MAGNETIC RING	1
10	ROUND MAGNET	2
11	NBR O-RING	1
12	SPRAYHEAD CASING	1
13	AERATOR	1
14	FLEXITAILS	2
15	FAST-FIT FIXING	1
16	NBR WASHER	1
17	NBR O-RING	1
18	BASE PLATE	1
19	THREADED PIPE	1
20	RUBBER CAP	1
21	GRUB SCREW	2
22	HANDLE	1
23	COLLAR	1
24	BRASS LOCK NUT	1
25	35MM CARTRIDGE	1
26	TAP BODY	1
27	LOWER POM SLEEVE	1
28	NBR O-RING	2
29	UPPER POM SLEEVE	1
30	TAP CONNECTOR	1
31	POM WASHER	1



FOR FURTHER ADVICE PLEASE CONTACT :-
 SAGITTARIUS LTD UNIT 1 LOWER VICTORIA STREET—CHADDERTON—OLDHAM—OL9 9TU TEL:0616 6202029
 EMAIL:TECHNICAL@SAGITTARIUSTAPS.CO.UK