

SAGITTARIUS

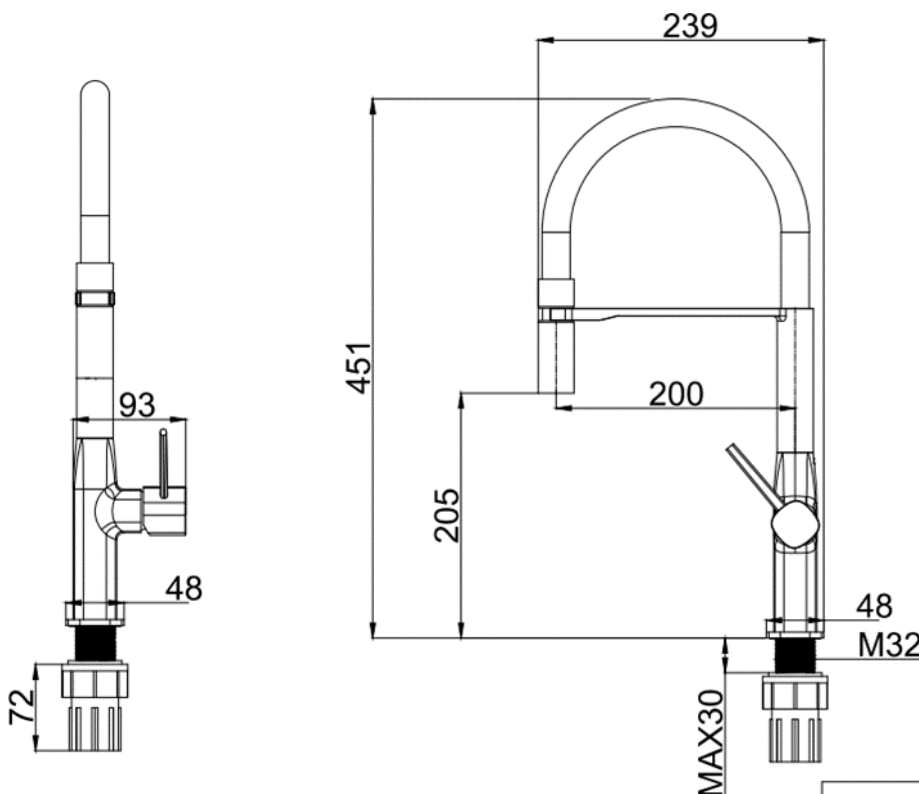
TAPS & SHOWERING

Construction	Brass Body (CuZn40Pb18); Zinc-alloy handle
Finishes	Matt Black
Product Type	Contemporary
Water Pressure	Min. 0.2 bar, Max. 6.0 bar
Tested Between	
Standards	Complies with BS5412, BS EN200
Cartridge	35mm Ceramic disc cartridge
Fitting	M10 x 500mm 1/2" BSP Female flexible connection pipes
Aerator	Spout aerator
Guarantee	10 years against manufacturing faults (excluding serviceable parts)
Additional Information	360° Swivel Spout

FORIO MONOBLOC SINK

MIXER BLACK

KPO/248/B



The information contained on this page was correct at the date of issue. Fitting dimensions are provided as a guide only. Some variation may occur due to manufacturing tolerances. We pursue a policy of continuing improvement in design and performance of our products and so reserve the right to change specifications without prior notice

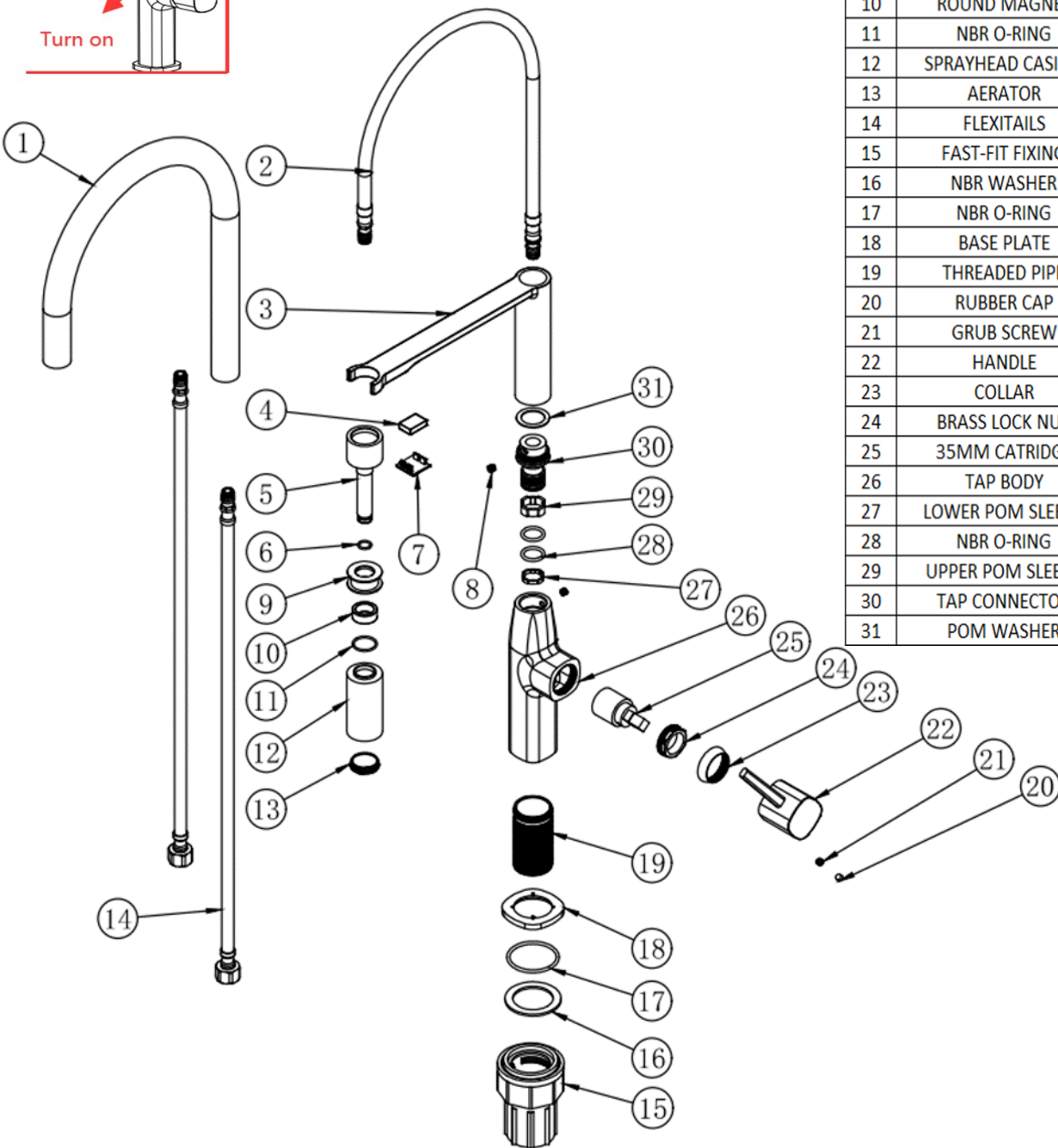
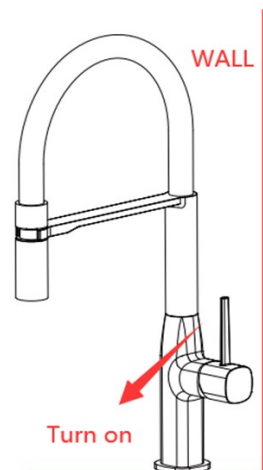
FOR FURTHER ADVICE PLEASE CONTACT :-

SAGITTARIUS LTD UNIT 1 LOWER VICTORIA STREET—CHADDERTON—OLDHAM—OL9 9TU TEL:0616 6202029

EMAIL:TECHNICAL@SAGITTARIUSTAPS.CO.UK

Flow Rates (Litres per minute)

System Pressure	0.1 Bar	0.2 Bar	0.3 Bar	0.5 Bar	1.0 Bar	1.5 Bar	2.0 Bar	3.0 Bar	4.0 Bar	5.0 Bar
	2.0	2.6	3.4	4.7	7.1	9.0	10.6	13.3	15.6	17.6



No.	DESCRIPTION	QTY
1	RUBBER HOSE	1
2	CONNECTOR HOSE	1
3	TAP ARM	1
4	SQUARE MAGNET	4
5	SPRAYHEAD CONNECTOR	1
6	NBR O-RING	1
7	ABS COVER	1
8	GRUB SCREW	1
9	MAGNETIC RING	1
10	ROUND MAGNET	2
11	NBR O-RING	1
12	SPRAYHEAD CASING	1
13	AERATOR	1
14	FLEXITAILS	2
15	FAST-FIT FIXING	1
16	NBR WASHER	1
17	NBR O-RING	1
18	BASE PLATE	1
19	THREADED PIPE	1
20	RUBBER CAP	1
21	GRUB SCREW	2
22	HANDLE	1
23	COLLAR	1
24	BRASS LOCK NUT	1
25	35MM CARTRIDGE	1
26	TAP BODY	1
27	LOWER POM SLEEVE	1
28	NBR O-RING	2
29	UPPER POM SLEEVE	1
30	TAP CONNECTOR	1
31	POM WASHER	1

FOR FURTHER ADVICE PLEASE CONTACT :-
 SAGITTARIUS LTD UNIT 1 LOWER VICTORIA STREET—CHADDERTON—OLDHAM—OL9 9TU TEL:0616 6202029
 EMAIL:TECHNICAL@SAGITTARIUSTAPS.CO.UK