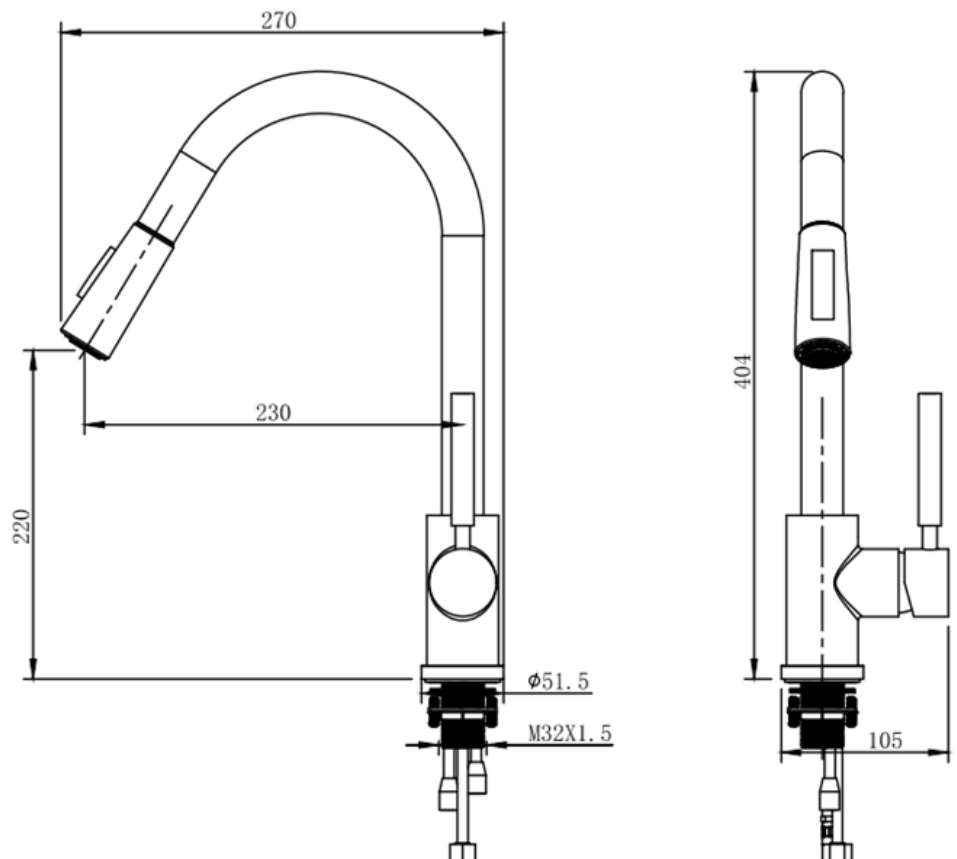


SAGITTARIUS

Product Code	KPO/275/SS
Description	Cozinha Pull Out Easy Fit Kitchen Sink Mixer
Finish	Chrome
Design	Contemporary
Connection	G1/2" BSP Female Flexible Inlet Connection Hoses
Plumbing System	High Pressure. Pumped Or Combination Boiler
Operating System	Minimum Pressure 1.0 to 5.0 Bar
Cartridges	35mm Ceramic Disc Cartridge
Approval	WRAS Approved Material
Guarantee	10 Years On Casting & Chrome Finish. 3 Years On Serviceable Moving Parts.
Additional Information	Pull Out Hose & 2 Mode Handset



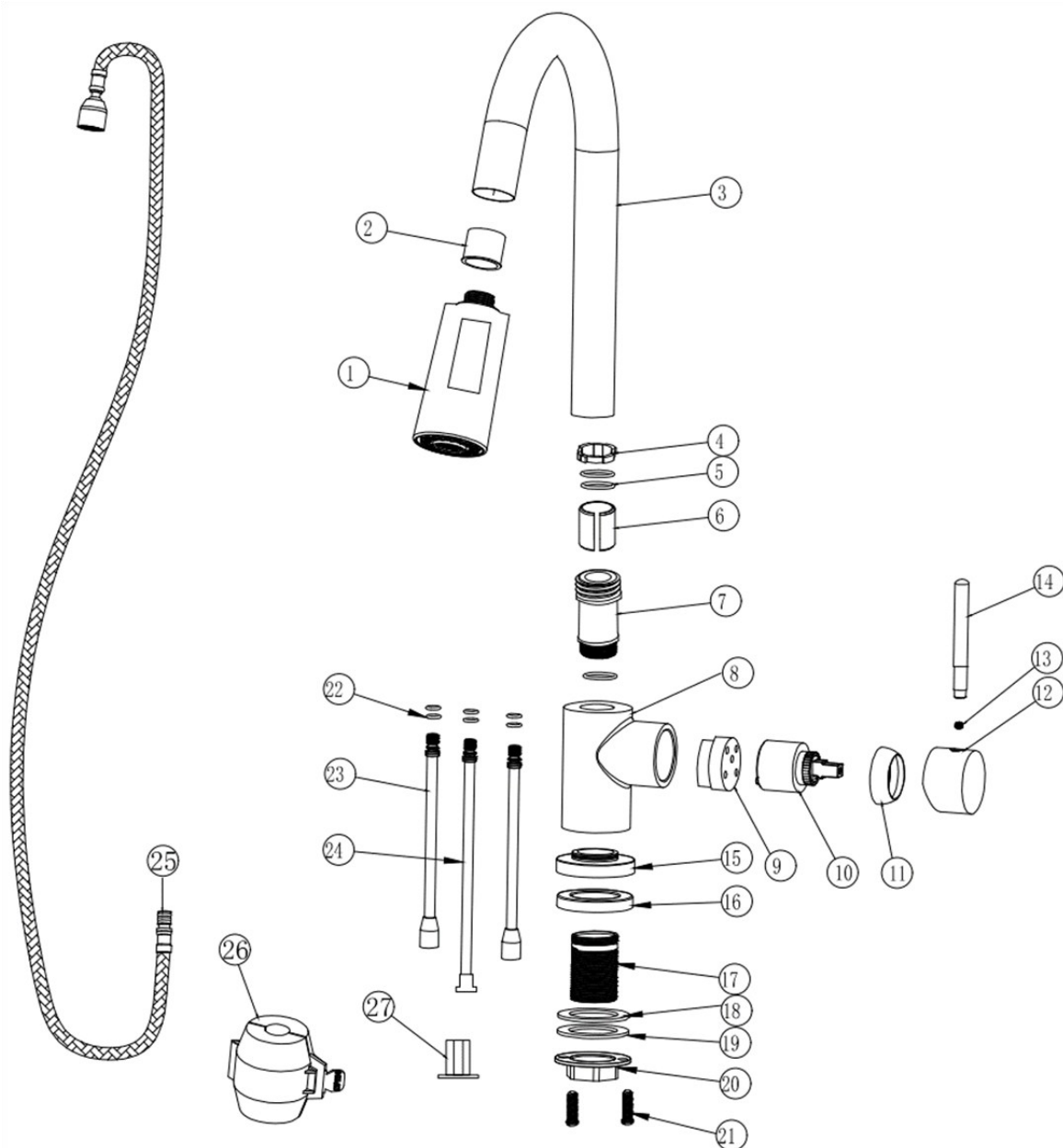
The information contained on this page was correct at the date of issue. Fitting dimensions are provided as a guide only. Some variation may occur due to manufacturing tolerances. We pursue a policy of continuing improvement in design and performance of our products and so reserve the right to change specifications without prior notice

FOR FURTHER ADVICE PLEASE CONTACT :-

SAGITTARIUS LTD UNIT 1 LOWER VICTORIA STREET—CHADDERTON—OLDHAM—OL9 9TU TEL: 0161 6202029

Flow Rates (Litres per minute)

System Pressure	0.1 Bar	0.2 Bar	0.3 Bar	0.5 Bar	1.0 Bar	1.5 Bar	2.0 Bar	2.5 Bar	3.0 Bar	5.0 Bar
KPO/275/SS	1.9	2.1	2.1	2.3	2.7	3.3	4.1	5.4	6.1	7.5



NO.	DESCRIPTION	QTY	NO.	DESCRIPTION	QTY
1	ABS SPRAY HEAD	1	15	SS304 BASE PLATE	1
2	ABS SECURING SLEEVE	1	16	NBR BASE PLATE WASHER	1
3	SPOUT	1	17	SS304 THREADED PIPE	1
4	POM SPOUT WASHER	1	18	NBR WASHER	1
5	NBR O-RING	3	19	SS304 STEEL WASHER	1
6	POM SLEEVE	1	20	BRASS LOCK NUT	1
7	ABS SPOUT CONNECTOR	1	21	SS304 M6 FIXING SCREW	2
8	SS304 TAP BODY	1	22	NBR O-RING	6
9	CARTRIDGE BASE	1	23	SS304 INLET PIPE (HOT & COLD)	2
10	CERAMIC DISC CARTRIDGE	1	24	SS304 FLEXIPIPE	1
11	SS304 HANDLE COLLAR	1	25	SS304 PULL-OUT HOSE	1
12	SS304 HANDLE BODY	1	26	RUBBER WEIGHT	1
13	SS304 M5 GRUB SCREW	1	27	PLASTIC FIXING PIECE	1
14	SS304 HANDLE ROD	1			

The information contained on this page was correct at the date of issue. Fitting dimensions are provided as a guide only. Some variation may occur due to manufacturing tolerances. We pursue a policy of continuing improvement in design and performance of our products and so reserve the right to change specifications without prior notice.

FOR FURTHER ADVICE PLEASE CONTACT :-

SAGITTARIUS LTD UNIT 1 LOWER VICTORIA STREET—CHADDERTON—OLDHAM—OL9 9TU TEL:0161 6202029