

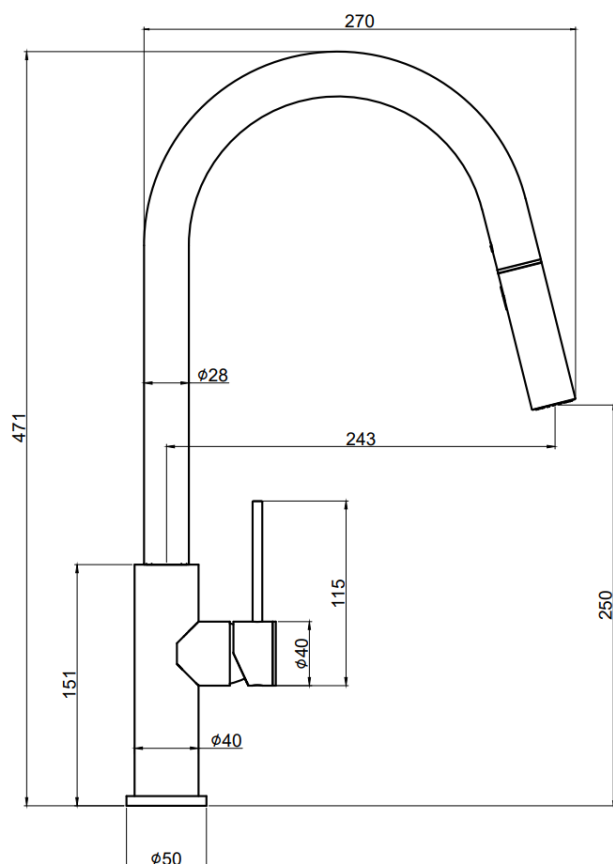
SAGITTARIUS

TAPS & SHOWERING

| | |
|--------------------------------------|---|
| Construction | Stainless Steel 304 Body; Stainless Steel 304 handle |
| Finishes | Chrome plated to BS EN 248 |
| Product Type | Contemporary |
| Water Pressure Tested Between | Min. 1 bar, Max. 5.0 bar |
| Plumbing Systems | Suitable for all plumbing systems |
| Standards | Complies with BS5412, BS EN207 |
| Cartridge | CITEC 35mm Ceramic disc cartridge |
| Fitting | TUCAI WRAS Flexi tail pipe |
| Guarantee | 10 years against manufacturing faults (excluding serviceable parts) |
| Additional Information | Spray Head : Stainless Steel 304; 2 mode. No counter balance ball below the sink |

**CUCINA PULL OUT EASY
FIT KITCHEN SINK MIXER
STAINLESS STEEL**

KPO/274/SS



The information contained on this page was correct at the date of issue. Fitting dimensions are provided as a guide only. Some variation may occur due to manufacturing tolerances. We pursue a policy of continuing improvement in design and performance of our products and so reserve the right to change specifications without prior notice

FOR FURTHER ADVICE PLEASE CONTACT :-

SAGITTARIUS LTD UNIT 1 LOWER VICTORIA STREET—CHADDERTON—OLDHAM—OL9 9TU TEL:0616 6202029

EMAIL:TECHNICAL@SAGITTARIUSTAPS.CO.UK

Flow Rates (Litres per minute)

| System Pressure | 0.1 Bar | 0.2 Bar | 0.3 Bar | 0.5 Bar | 1.0 Bar | 1.5 Bar | 2.0 Bar | 3.0 Bar | 4.0 Bar | 5.0 Bar |
|-----------------|---------|---------|---------|---------|---------|---------|---------|---------|---------|---------|
| | - | - | 0.90 | 1.70 | 2.70 | - | 4.00 | 4.70 | 5.50 | 6.00 |

| No. | Name | Qty. | No. | Name | Qty. | No. | Name | Qty. |
|-----|---------------|------|-----|--------------|------|-----|-------------------|------|
| 1 | Body | 1 | 10 | BSP Tail | 1 | 19 | O ring | 2 |
| 2 | Cartridge | 1 | 11 | O ring | 1 | 20 | Washer | 1 |
| 3 | Cartridge Nut | 1 | 12 | washer | 1 | 21 | Check valve | 1 |
| 4 | Collar | 1 | 13 | Fixing Plate | 1 | 22 | Spout | 1 |
| 5 | Handle | 1 | 14 | Fixing Plate | 1 | 23 | Check valve | 1 |
| 6 | Grub Screw | 1 | 15 | Screw | 2 | 24 | Sprayer head | 1 |
| 7 | Cap | 1 | 16 | Grub Screw | 1 | 25 | Inlet hose nut | 2 |
| 8 | Base Plate | 1 | 17 | Cap | 1 | 26 | Inlet Hose (Blue) | 1 |
| 9 | Flexi Tail | 2 | 18 | Washer | 1 | 27 | Inlet Hose (Red) | 1 |

