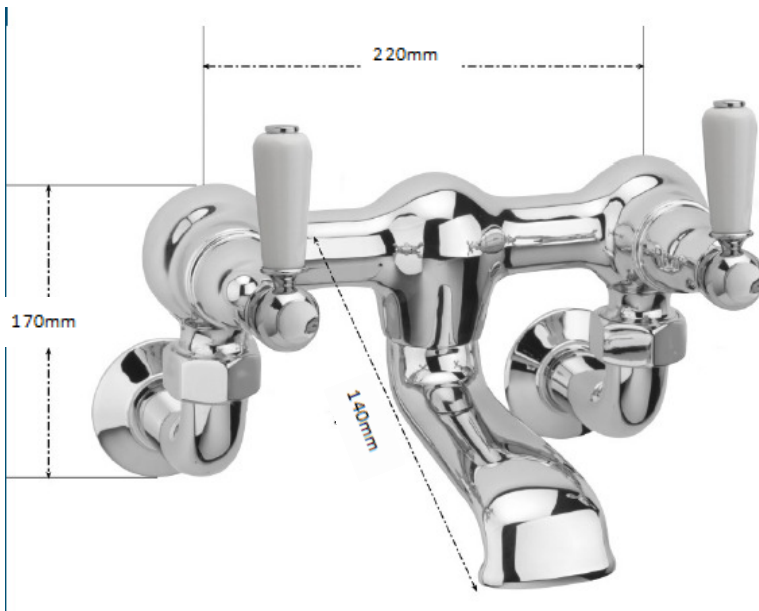


SAGITTARIUS

TAPS & SHOWERING

Construction	Brass
Dimensions	180mm X 207mm
Working pressure	HP/LP/COMBI
Parts	Ceramic Lever Lever Handles Cold valve 22mm Ceramic disc quarter turn Hot Valve 22mm Ceramic disc quarter turn Heads, collars 3/4 inch, chrome elbow union nut 25mm Bath/Wall mounted shrouds , plastic back nut 22mm Seating washer 22mm, Under tap seating O ring, cranked legs elbows.

KENSINGTON LEVER DELUXE WALL MOUNTED B/F KL/184/C



The information contained on this page was correct at the date of issue. Fitting dimensions are provided as a guide only. Some variations may occur due to manufacturing tolerances. We pursue a policy of continuous improvement.

FOR FURTHER ADVICE PLEASE CONTACT :-

SAGITTARIUS LTD UNIT 1 LOWER VICTORIA STREET—CHADDERTON—OLDHAM—OL9 9TU TEL:0616 6202029

EMAIL:TECHNICAL@SAGITTARIUSTAPS.CO.UK