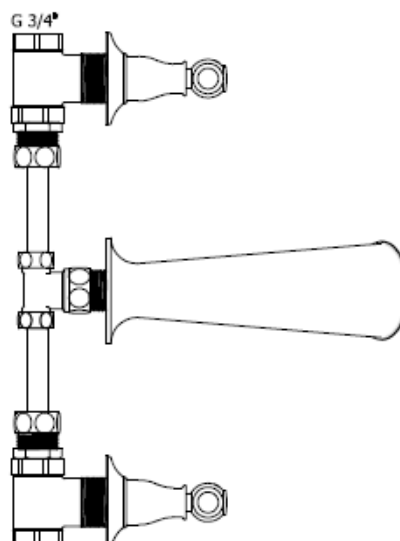
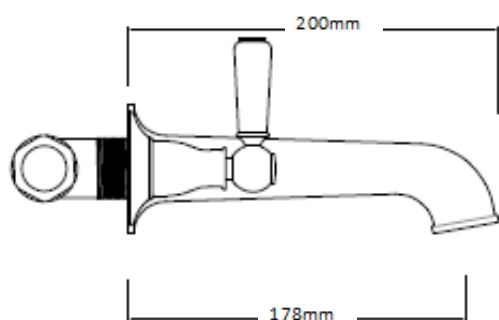


SAGITTARIUS

TAPS & SHOWERING

Construction	Brass
Dimensions	300mm X 179mm x 100mm
Working pressure	HP/LP/COMBI
Parts	Ceramic Lever Lever Handles Collars 3/4 inch Cold valve—22mm Ceramic disc valve Hot valve—22mm Ceramic disc valve

Kensington Lever wall mounted 3 hole bath filler KL/117/C



The information contained on this page was correct at the date of issue. Fitting dimensions are provided as a guide only. Some variation may occur due to manufacturing tolerances. We pursue a policy of continuing improvement in design and performance of our products and so reserve the right to change specifications without prior notice

FOR FURTHER ADVICE PLEASE CONTACT :-
SAGITTARIUS LTD UNIT 1 LOWER VICTORIA STREET—CHADDERTON—OLDHAM—OL9 9TU TEL:0616 6202029
EMAIL:TECHNICAL@SAGITTARIUSTAPS.CO.UK