

SAGITTARIUS

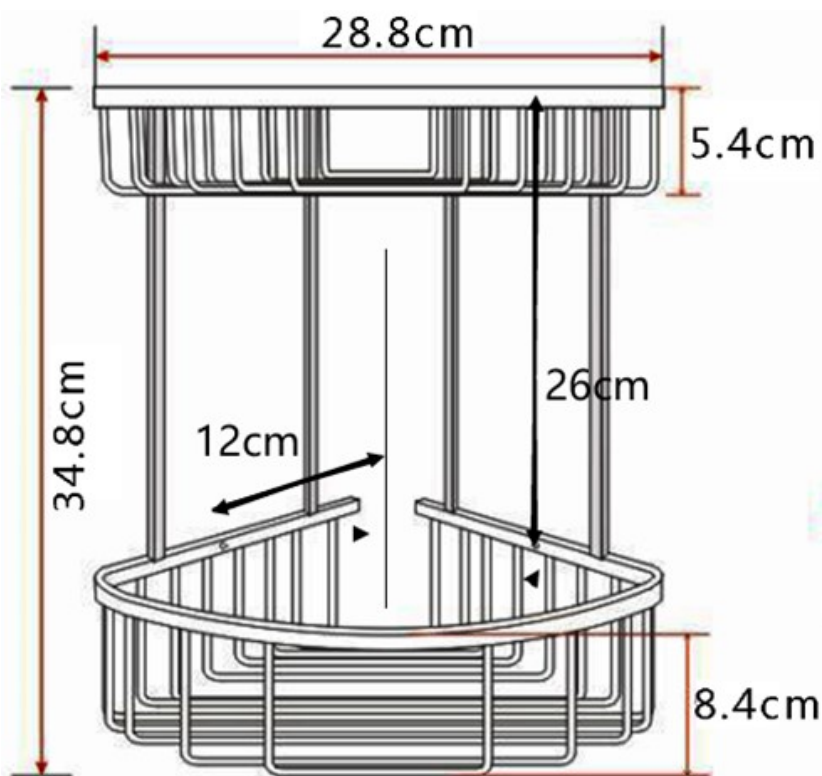
TAPS & SHOWERING

Construction	Brass
Finishes	Matt Black
Product Type	Contemporary
Standards	Complies with BS5412, BS EN200
Guarantee	1 year against manufacturing faults (excluding serviceable parts)

KENSINGTON TWO TIER CORNER BASKET (200X200X280)

BLACK

KEA/740/B



The information contained on this page was correct at the date of issue. Fitting dimensions are provided as a guide only. Some variation may occur due to manufacturing tolerances. We pursue a policy of continuing improvement in design and performance of our products and so reserve the right to change specifications without prior notice

FOR FURTHER ADVICE PLEASE CONTACT :-

SAGITTARIUS LTD UNIT 1 LOWER VICTORIA STREET—CHADDERTON—OLDHAM—OL9 9TU TEL:0616 6202029

EMAIL:TECHNICAL@SAGITTARIUSTAPS.CO.UK