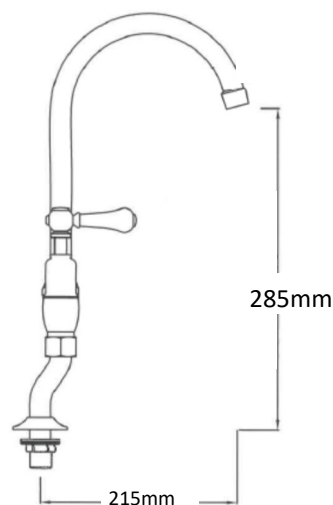
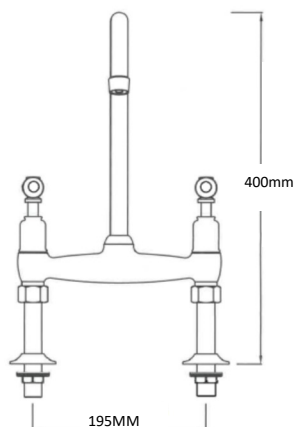


# SAGITTARIUS

## TAPS & SHOWERING

Construction	Brass
Water Pressure	Min 0.2bar , Max 6.0 bar
Plb Systems	Suitable for all plumbing systems
Cartridge	1/4 Turn 1/2inch Ceramic disc valves
Guarantee	10yrs on Manufacturing Faults, 3yrs serviceable parts

**KENSINGTON BRIDGE SINK  
MIXER CHROME  
KE/550/C**



Cranked legs can rotate inwards/outwards from 145mm (min) to 255mm (max)

### Flow Rates (Litres per minute)

Output	Max Flow Cold tap			Max Flow Hot Tap			Max Flow Blend		
	0.2 bar	0.5 bar	1 bar	0.2 bar	0.5 bar	1 bar	0.2 bar	0.5 bar	1 bar
KL/550/C	4	6,2	10	4	7,5	12	8	9	12

The information contained on this page was correct at the date of issue. Fitting dimensions are provided as a guide only. Some variation may occur due to manufacturing tolerances. We pursue a policy of continuing improvement in design and performance of our products and so reserve the right to change specifications without prior notice

FOR FURTHER ADVICE PLEASE CONTACT :-

SAGITTARIUS LTD UNIT 1 LOWER VICTORIA STREET—CHADDERTON—OLDHAM—OL9 9TU TEL:0616 6202029

EMAIL:TECHNICAL@SAGITTARIUSTAPS.CO.UK