

SAGITTARIUS

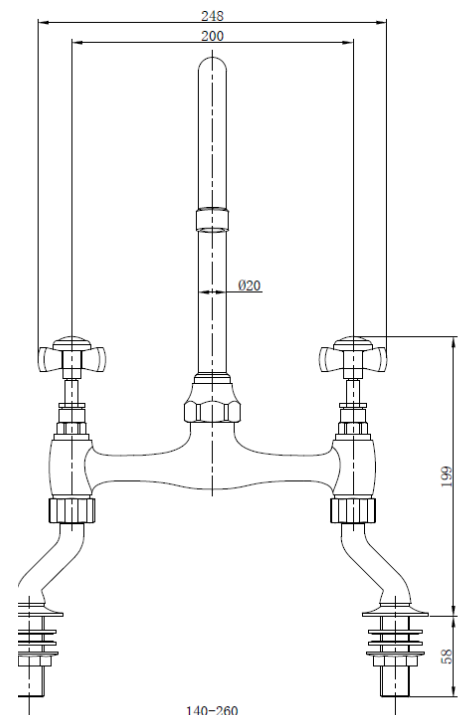
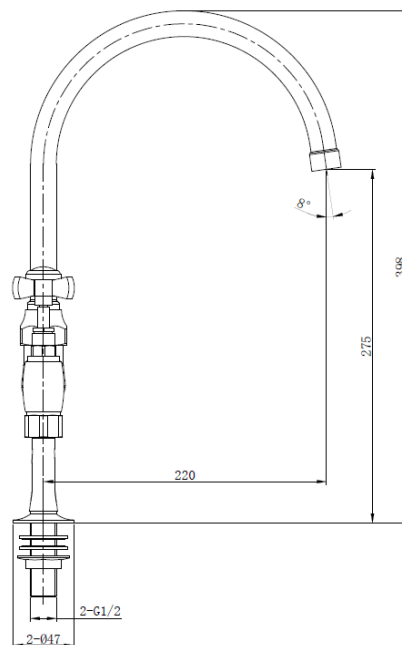
TAPS & SHOWERING

KENSINGTON BRIDGE SINK MIXER CHROME KE/290/C

Construction	Brass Body (CuZn40Pb18); Zinc- alloy Handles
Finishes	Chrome plated to BS EN 248
Product Type	Contemporary
Water Pressure Tested Between Standards	Min. 0.2 bar, Max. 6.0 bar Complies with BS5412, BS EN200
Cartridge	1/4 Turn 1/2" Ceramic Disc Valves
Fitting	10mm G1/2" BSP Flex- ible inlet connection hoses
Aerator	Spout aerator
Guarantee	10 years against manu- facturing faults (excluding serviceable parts)
Additional Information	360° Swivel Spout



Water pressure

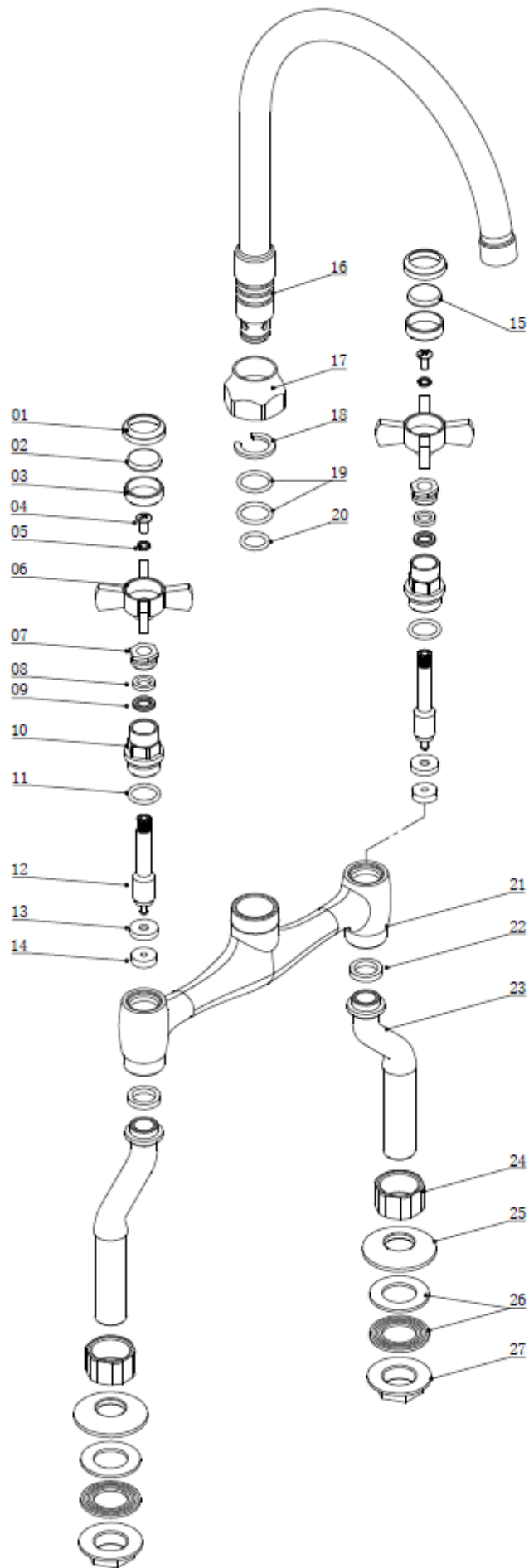


The information contained on this page was correct at the date of issue. Fitting dimensions are provided as a guide only. Some variation may occur due to manufacturing tolerances. We pursue a policy of continuing improvement in design and performance of our products and so reserve the right to change specifications without prior notice

FOR FURTHER ADVICE PLEASE CONTACT :-

SAGITTARIUS LTD UNIT 1 LOWER VICTORIA STREET—CHADDERTON—OLDHAM—OL9 9TU TEL:0616 6202029

EMAIL:TECHNICAL@SAGITTARIUSTAPS.CO.UK



FOR FURTHER ADVICE PLEASE CONTACT :-

SAGITTARIUS LTD UNIT 1 LOWER VICTORIA STREET—CHADDERTON—OLDHAM—OL9 9TU TEL:0616 6202029

EMAIL:TECHNICAL@SAGITTARIUSTAPS.CO.UK