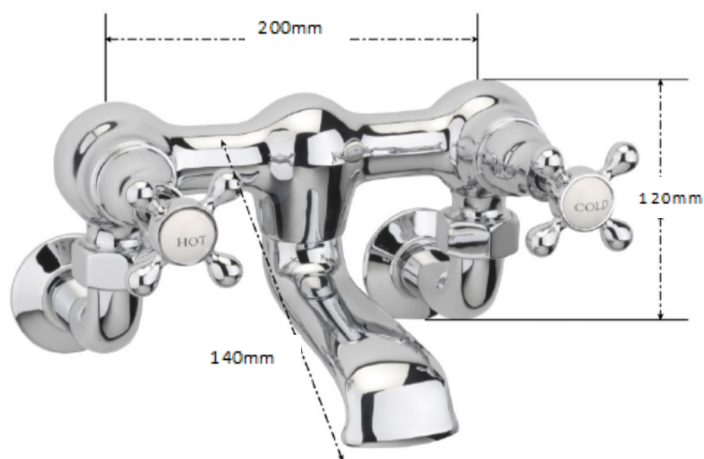


SAGITTARIUS

TAPS & SHOWERING

KENSINGTON DELUXE WALL MOUNTED BATH FILLER KE/184/C

Construction	Brass
Dimensions	180mm X 207mm
Working pressure	HP/LP/COMBI
Parts	Hot & Cold Indices Cold valve 22mm Ceramic disc quarter turn Hot Valve 22mm Ceramic disc quarter turn Heads, collars 3/4 inch, chrome elbow union nut 25mm Bath/Wall mounted shrouds , plastic back nut 22mm Seating washer 22mm, Under tap seating O ring, cranked legs elbows.



Technical Drawing

The information contained on this page was correct at the date of issue. Fitting dimensions are provided as a guide only. Some variation may occur due to manufacturing tolerances. We pursue a policy of continuing improvement in design and performance of our products and so reserve the right to change specifications without prior notice

FOR FURTHER ADVICE PLEASE CONTACT :-
SAGITTARIUS LTD UNIT 1 LOWER VICTORIA STREET—CHADDERTON—OLDHAM—OL9 9TU TEL:0616 6202029
EMAIL:TECHNICAL@SAGITTARIUSTAPS.CO.UK