

SAGITTARIUS

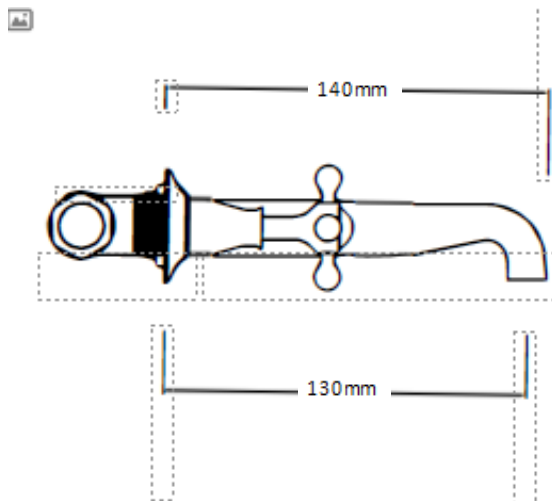
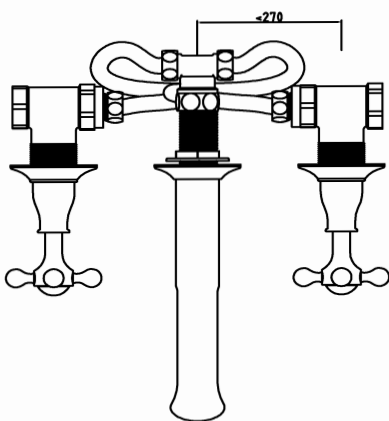
TAPS & SHOWERING

Construction	Brass
Dimensions	405mm X 180mm X 164.5mm
Working pressure	HP/LP/COMBI
Parts	Hot & Cold Indices Cold Valve—15mm ceramic disc valve Hot Valve—15mm ceramic disc valve Heads, collar 1/2 inch, fixing screws, locating nuts

KENSINGTON WALL

MOUNTED BASIN MIXER

KE/171/C



The information contained on this page was correct at the date of issue. Fitting dimensions are provided as a guide only. Some variation may occur due to manufacturing tolerances. We pursue a policy of continuing improvement in design and performance of our products and so reserve the right to change specifications without prior notice

FOR FURTHER ADVICE PLEASE CONTACT :-
SAGITTARIUS LTD UNIT 1 LOWER VICTORIA STREET—CHADDERTON—OLDHAM—OL9 9TU TEL:0616 6202029
EMAIL:TECHNICAL@SAGITTARIUSTAPS.CO.UK