

SAGITTARIUS

TAPS & SHOWERING

INFRA RED BASIN MIXER

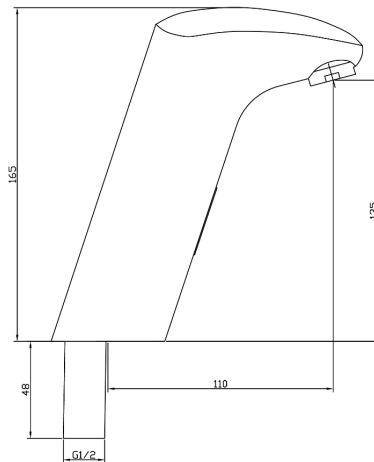
CHROME

IR/206/C

Construction	Brass Body (CuZn40Pb18)
Finishes	Chrome plated to BS EN 248
Product Type	Hands free infrared activation commercial Tap
Aerator	Anti splash & flow restrictor
Water Pressure	Min. 0.5 bar, Max. 6.0 bar
Plumbing Systems	Suitable for cold or premixed water
Standards	Complies with EN60529
Certification	CE , ROHS , IP44
Power	Voltage: DC6V or AC220V-240V (6V Output) Power consumption: =0.3mW
Power Options	Choice of : i. Batteries only DC (4 x AA batteries : up to 2yr lifespan depend on level of usage) ii. Mains power AC supply only iii. Both Mains AC + Batteries DC (backup) connected at the same time

Silent Consumption	0.003mW
Fitting	Control box: Diameter of 'inlet' pipe: G1/2" Control box: Diameter of 'outlet' pipe: G1/2" Suitable for cold or premixed water

Sensing distance	6 - 24 cm
Respond time	1 Second
Noise Class	1
Aerator	Aerator spout
Sensor	Integrated spout sensor, Vandal & scratch resistant sensor window
Max operational temperature	Maximum operational temperature 45°C
Packaging	55x38.5x33.5cm/carton(10pcs), Bx size: 31x26.5x7cm, Weight: 2.1kg
Guarantee	3 years against manufacturing faults (excluding serviceable parts).
Additional Information	i. Suitable for cold or premixed water, and suitable for main or battery installation ii. This tap is compatible with our new IRC Sensor Remote Control (Sold separately) iii. It's entirely up to customer to decide which power option/combination suits your installation / usage the best. The integrity of the tap stays the same. with push button override to 48°C.



Flow Rates (Litres per minute)

System Pressure	0.1 Bar	0.2 Bar	0.3 Bar	0.5 Bar	1.0 Bar	1.5 Bar	2.0 Bar	3.0 Bar	4.0 Bar	5.0 Bar
IR/206/C				8.35	11.95		18.35	27.00	-	-

The information contained on this page was correct at the date of issue. Fitting dimensions are provided as a guide only. Some variation may occur due to manufacturing tolerances. We pursue a policy of continuing improvement in design and performance of our products and so reserve the right to change specifications without prior notice

FOR FURTHER ADVICE PLEASE CONTACT :-
SAGITTARIUS LTD UNIT 1 LOWER VICTORIA STREET—CHADDERTON—OLDHAM—OL9 9TU TEL:0616 6202029
EMAIL:TECHNICAL@SAGITTARIUSTAPS.CO.UK