

# SAGITTARIUS

## TAPS & SHOWERING

|                                      |  |
|--------------------------------------|--|
| <b>Construction</b>                  | Brass Body (CuZn40Pb2), EN CW617N (equivalent to BS CZ122)   |
| <b>Finishes</b>                      | Chrome plated to BS EN 248   |
| <b>Product Type</b>                  | Hands free infrared activation commercial Tap  |
| <b>Water Pressure Tested Between</b> | Min. 1.5 bar, Max. 6.0 bar   |
| <b>Certification</b>                 | CE, ROHS, IP54, WRAS (Pending)   |
| <b>Power</b>                         | Voltage: DC6V or AC220V-240V (6V Output);<br>Dynamic Output Power: 3V; Working Voltage of Solenoid Valve: 4.5V   |
| <b>Power Options</b>                 | Choice of :<br><br>Batteries only DC (4 x AA batteries: up to 2 years lifespan depend on level of usage)<br><br>Mains power AC supply only<br><br>Both Mains AC + Batteries DC (backup) connected at the same time |
| <b>Power Consumption</b>             | Less than 1W (DC) or 0.2mW (AC); Silent power consumption: 0.5mW   |
| <b>Fitting</b>                       | Control box: Diameter of 'inlet' pipe: G1/2" BSP<br><br>Control box:<br>Diameter of 'outlet' pipe:<br>G1/2" BSP<br>Suitable for cold or pre-mixed water  |
| <b>Sensing distance</b>              | 6 - 24 cm (Factory setting to 17-18 cm)  |
| <b>Respond time</b>                  | 0.3 Second   |
| <b>Aerator</b>                       | Spout aerator (Anti splash & flow restrictor)  |
| <b>Max operational temperature</b>   | Maximum operational temperature 45°C   |
| <b>Additional Information</b>        | Suitable for cold or premixed water, and suitable for main or battery installation<br><br>This tap is compatible with our UT11 IRC Sensor Remote Control (Sold separately)   |

### DELUXE (REAR FIX) INFRA RED BASIN MIXER CHROME IR/066/C



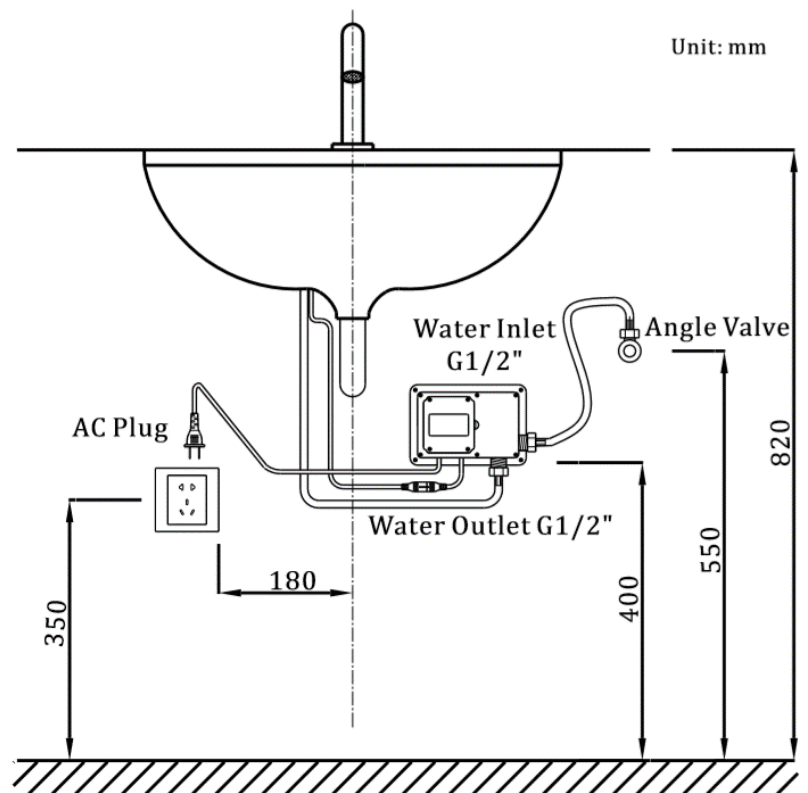
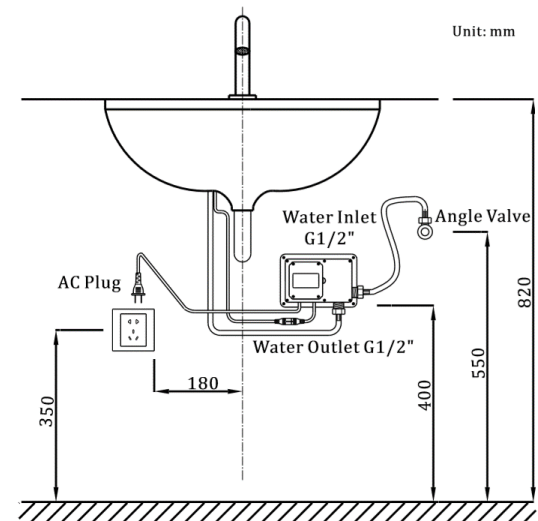
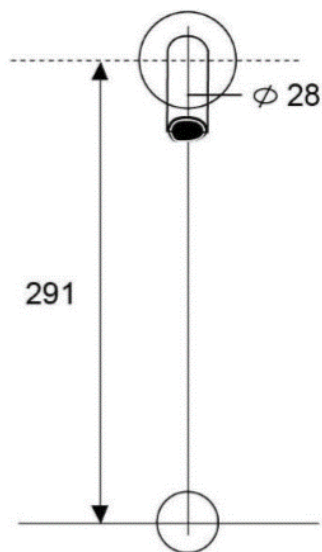
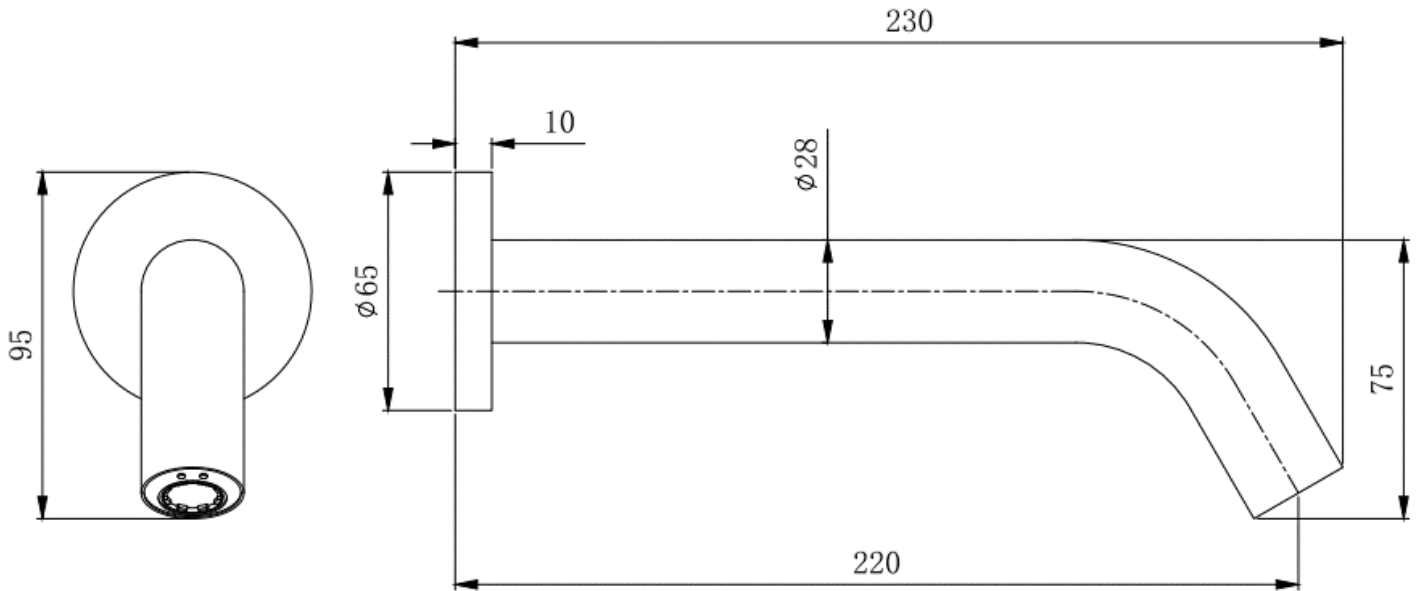
It's entirely up to customer to decide which power option/combination suits your installation / usage the best. The integrity of the tap stays the same.

The information contained on this page was correct at the date of issue. Fitting dimensions are provided as a guide only. Some variation may occur due to manufacturing tolerances. We pursue a policy of continuing improvement in design and performance of our products and so reserve the right to change specifications without prior notice

FOR FURTHER ADVICE PLEASE CONTACT :-

SAGITTARIUS LTD UNIT 1 LOWER VICTORIA STREET—CHADDERTON—OLDHAM—OL9 9TU TEL:0616 6202029

EMAIL:TECHNICAL@SAGITTARIUSTAPS.CO.UK



**Flow Rates (Litres per minute)**

| System Pressure | 0.1 Bar | 0.2 Bar | 0.3 Bar | 0.5 Bar | 1.0 Bar | 1.5 Bar | 2.0 Bar | 3.0 Bar | 4.0 Bar | 5.0 Bar |
|-----------------|---------|---------|---------|---------|---------|---------|---------|---------|---------|---------|
|                 | -       | -       | -       | 1.6     | 2.5     | -       | 3.6     | 4.4     | 5.0     | 5.6     |

FOR FURTHER ADVICE PLEASE CONTACT :-  
 SAGITTARIUS LTD UNIT 1 LOWER VICTORIA STREET—CHADDERTON—OLDHAM—OL9 9TU TEL:0616 6202029  
 EMAIL:TECHNICAL@SAGITTARIUSTAPS.CO.UK