

# SAGITTARIUS

## TAPS & SHOWERING

<b>Construction</b>	Brass Body (CuZn40Pb2), EN CW617N
<b>Finishes</b>	Chrome plated to BS EN 248
<b>Product Type</b>	Hands free infrared activation commercial Tap
<b>Water Pressure Tested</b>	Min. 1.5 bar, Max. 6.0 bar
<b>Certification</b>	CE, ROSH, IP54, WRAS (Pending)
<b>Power</b>	Voltage: DC6V or AC220V-240V (6V Output); Dynamic Output Power: 3W; Working Voltage of Solenoid Valve: 4.5V
<b>Power Options</b>	Choice of : Batteries only DC (4 x AA batteries: up to 2 years lifespan depend on level of usage) Mains power AC supply only Both Mains AC + Batteries DC (backup) con-
<b>Power Consumption</b>	Less than 1W (DC) or 0.2mW (AC); Silent
<b>Fitting</b>	Control box: Diameter of 'inlet' pipe: G1/2" BSP  Control box: Diameter of 'outlet' pipe: G1/2" BSP Suitable for cold or pre-
<b>Sensing distance</b>	6 - 24 cm (Factory setting to 17-18 cm)
<b>Respond time</b>	0.3 Second
<b>Aerator</b>	Spout aerator (Anti splash & flow restrictor)
<b>Max operational tem-</b>	Maximum operational temperature 45°C
<b>Additional Information</b>	Suitable for cold or premixed water, and suitable for main or battery installation  This tap is compatible with our UT11 IRC Sensor Remote Control (Sold separately)  It's entirely up to customer to decide which power option/combination suits your installation / usage the best. The integrity

### INFRA RED BASIN MIXER CHROME IR/064/C

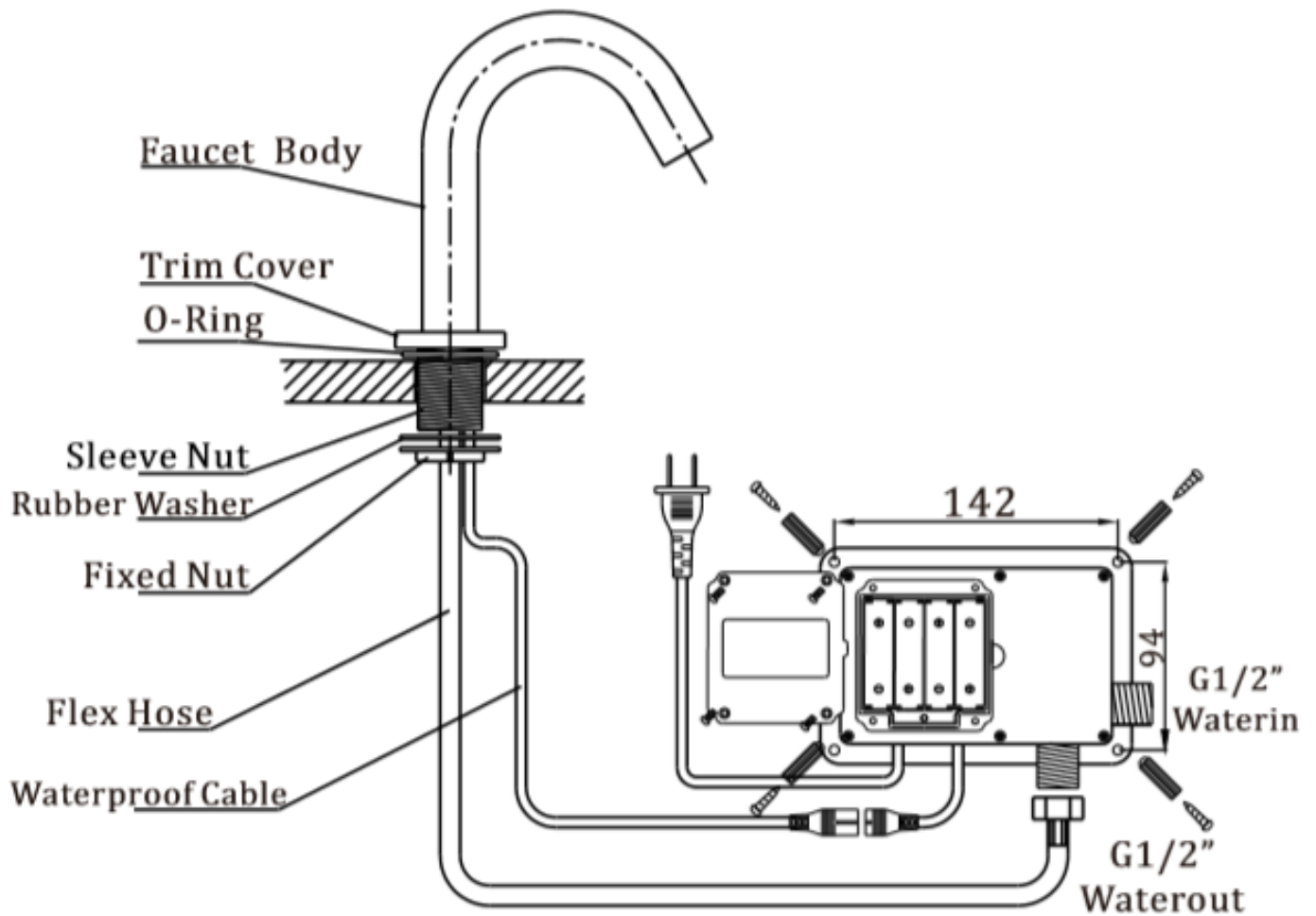
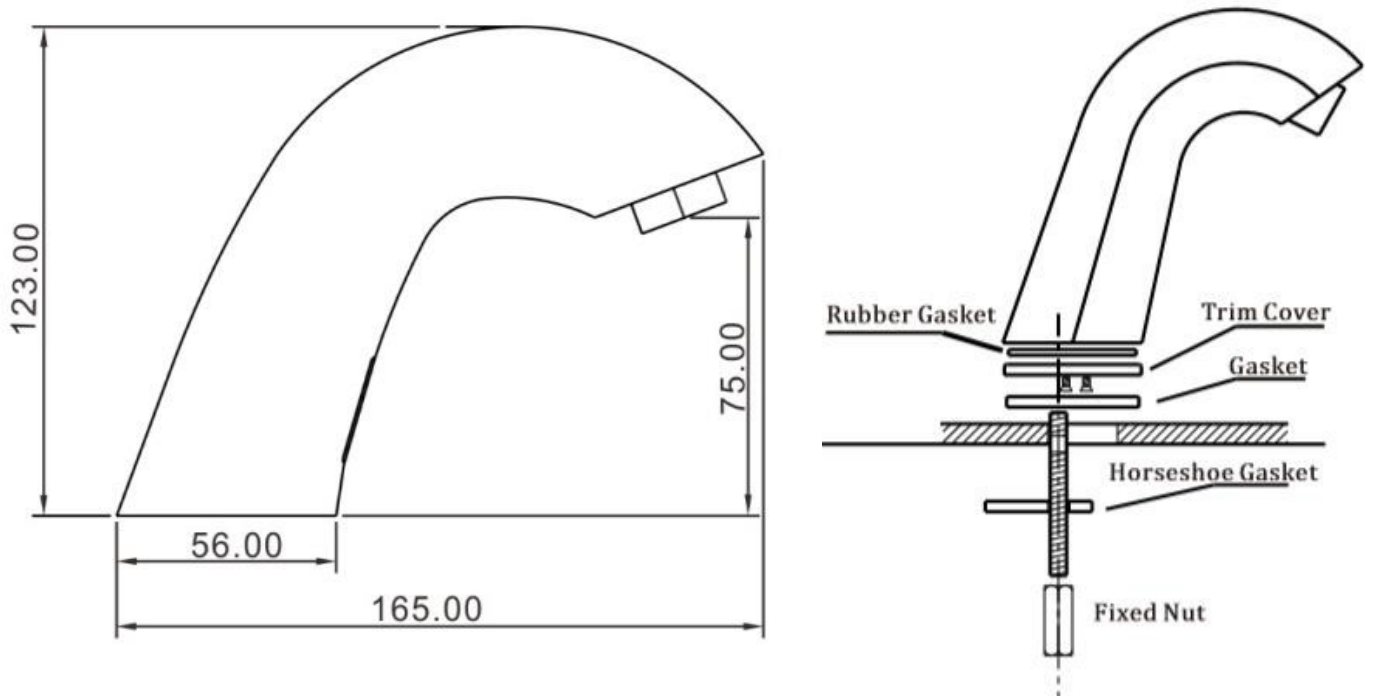


The information contained on this page was correct at the date of issue. Fitting dimensions are provided as a guide only. Some variation may occur due to manufacturing tolerances. We pursue a policy of continuing improvement in design and performance of our products and so reserve the right to change specifications without prior notice

FOR FURTHER ADVICE PLEASE CONTACT :-

SAGITTARIUS LTD UNIT 1 LOWER VICTORIA STREET—CHADDERTON—OLDHAM—OL9 9TU TEL:0616 6202029

EMAIL:TECHNICAL@SAGITTARIUSTAPS.CO.UK

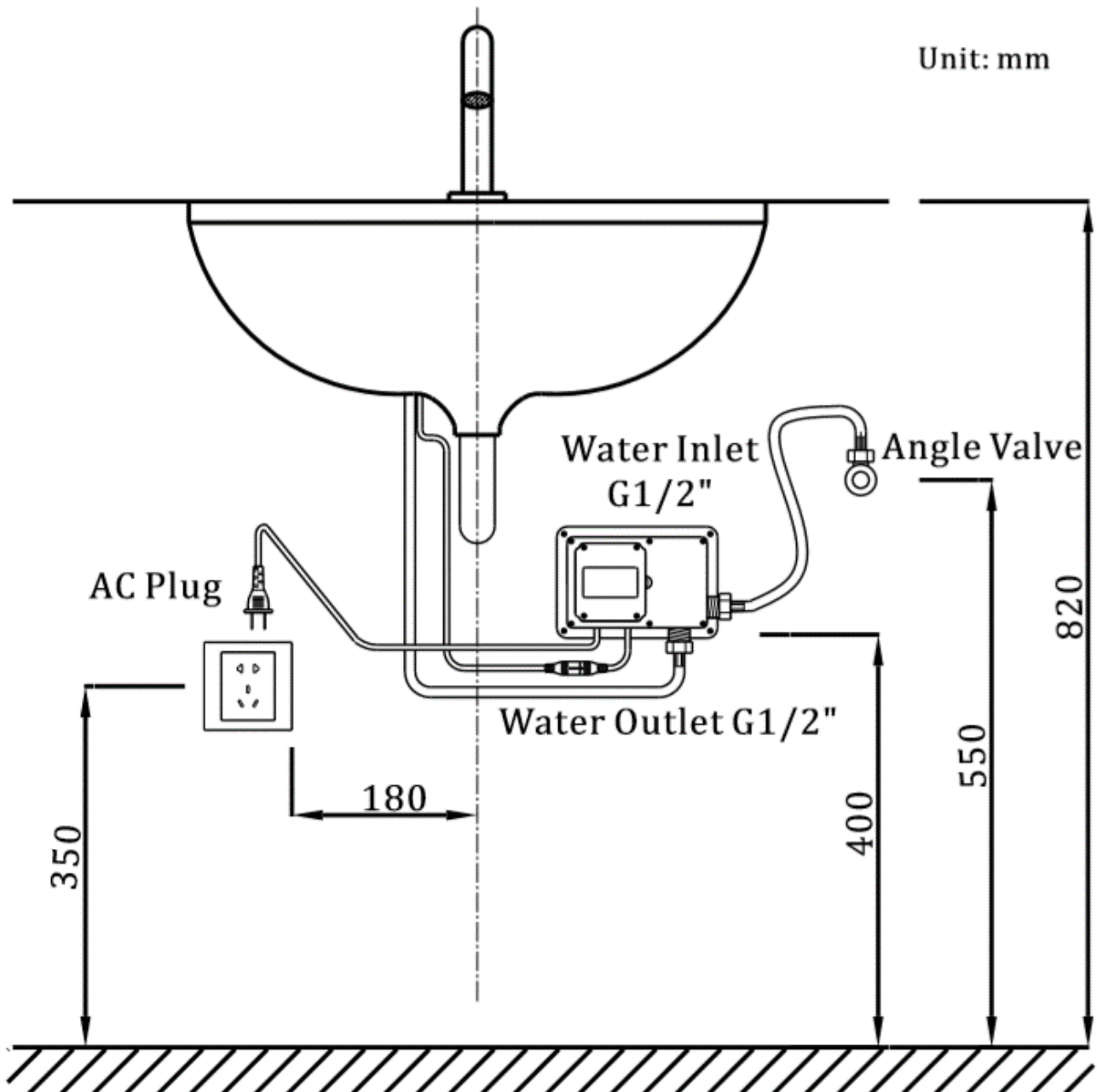


**Flow Rates (Litres per minute)**

System Pressure	0.1 Bar	0.2 Bar	0.3 Bar	0.5 Bar	1.0 Bar	1.5 Bar	2.0 Bar	3.0 Bar	4.0 Bar	5.0 Bar
	-	-	-	1.6	2.5	-	3.6	4.4	5.0	5.6

FOR FURTHER ADVICE PLEASE CONTACT :-  
 SAGITTARIUS LTD UNIT 1 LOWER VICTORIA STREET—CHADDERTON—OLDHAM—OL9 9TU TEL:0616 6202029  
 EMAIL:TECHNICAL@SAGITTARIUSTAPS.CO.UK

Unit: mm



FOR FURTHER ADVICE PLEASE CONTACT :-

SAGITTARIUS LTD UNIT 1 LOWER VICTORIA STREET—CHADDERTON—OLDHAM—OL9 9TU TEL:0616 6202029

EMAIL:TECHNICAL@SAGITTARIUSTAPS.CO.UK