

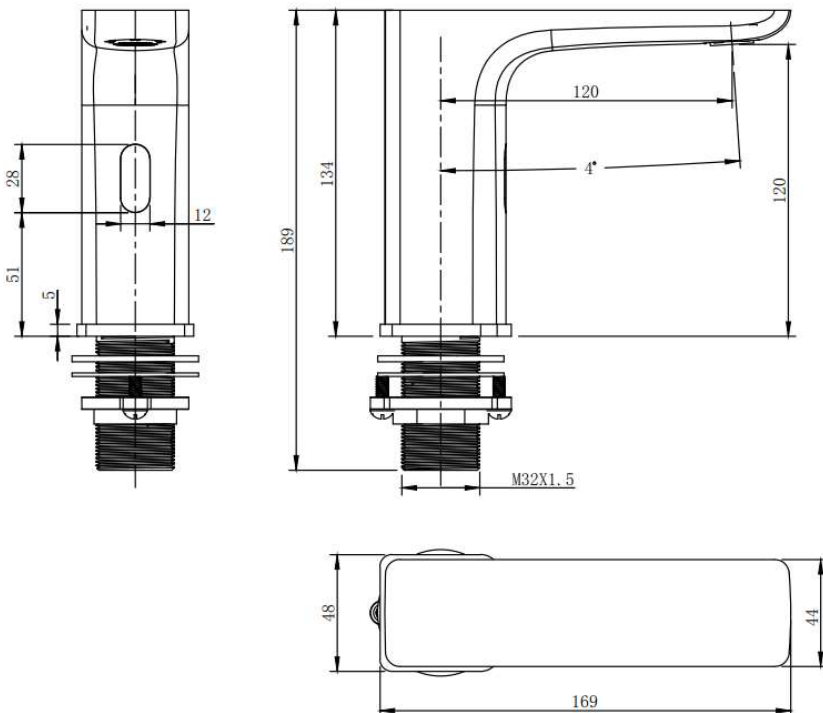
# SAGITTARIUS

## TAPS & SHOWERING

<b>Construction</b>	Brass Body
<b>Finishes Product Type</b>	Chrome
<b>Water Pressure Tested Between</b>	Min. 0.5 bar, Max. 6.0 bar
<b>Sensor</b>	Intergrated sensor
<b>Power</b>	Built in battery
<b>Max operational temperature</b>	Maximum operational temperature 40°C
<b>Guarantee</b> (excluding serviceable parts)	3 years against manufacturing faults
<b>Additional Information</b>	Suitable for cold or premixed water and suitable battery installation

### RAVENNA BATTERY POWERED EASY FIT INFRA RED MIXER CHROME

IR/062/C



The information contained on this page was correct at the date of issue. Fitting dimensions are provided as a guide only. Some variation may occur due to manufacturing tolerances. We pursue a policy of continuing improvement in design and performance of our products and so reserve the right to change specifications without prior notice

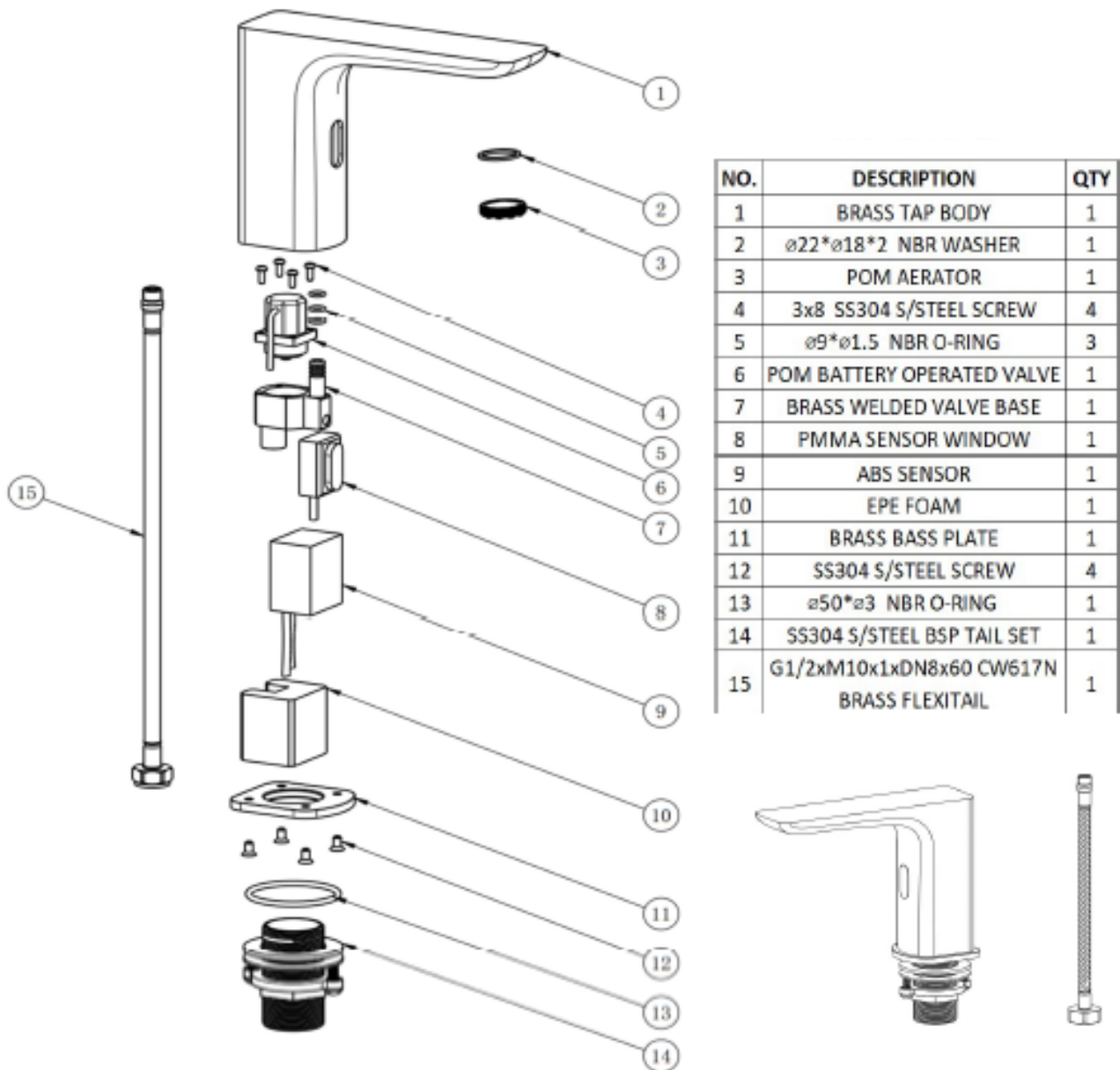
FOR FURTHER ADVICE PLEASE CONTACT :-

SAGITTARIUS LTD UNIT 1 LOWER VICTORIA STREET—CHADDERTON—OLDHAM—OL9 9TU TEL:0616 6202029

EMAIL:TECHNICAL@SAGITTARIUSTAPS.CO.UK

**Flow Rates (Litres per minute)**

System Pressure	0.1 Bar	0.2 Bar	0.3 Bar	0.5 Bar	1.0 Bar	1.5 Bar	2.0 Bar	3.0 Bar	4.0 Bar	5.0 Bar
	-	-	-	3.3	5.2	-	7.8	9.7	-	-



Occasion		Solutions
<b>Flush water none-stop or dripping</b>	① There are sundries in the valve body ② Pores blockage in the body circuit	Close the inlet angle valve, then open the valve deck, clean the sundries in the calve body to keep the pores unobstructed
<b>Not flush water</b>	① Power shut-off ② Sensor wire breakdown ③ No signal	① Check the power ② Change the old sensor wire ③ Check the interconnecting link off or not

FOR FURTHER ADVICE PLEASE CONTACT :-

SAGITTARIUS LTD UNIT 1 LOWER VICTORIA STREET—CHADDERTON—OLDHAM—OL9 9TU TEL:0616 6202029

EMAIL:TECHNICAL@SAGITTARIUSTAPS.CO.UK